

DESCRIPTION

High efficiency, low brightness 6-inch aperture shallow housing for use with compact fluorescent lamps. Standard features include low iridescent finish on all reflector colors and venting to ensure maximum lamp life and lumen output. Open, Lensed or crossblade optics are interchangeable within the same housing.

Catalog #		Type
Project		
Comments		Date
Prepared by		

SPECIFICATION FEATURES

Optical Reflector

Clear upper Alzak® reflector for maximum light output. Positive reflector mounting, without tools, pulls trim tight to ceiling. Lower spun parabolic reflector, .050 thick aluminum available in a variety of Alzak® finishes.

Lens

Choice of tempered Fresnel, prismatic, diffuse, or clear glass lenses or molded prismatic acrylic, opal diffuser, or clear UV stabilized acrylic.

Crossblade

Lower spun parabolic reflector with 90° louvers, .050 thick aluminum in a variety of Alzak® finishes.

Mechanical Housing Mounting Frame

One piece precision die cast aluminum 3/4" deep collar accommodates varying dimensions of ceiling materials.

Universal Mounting Bracket

Accepts 1/2" EMT, C Channel, T bar fasteners, and bar hangers. Adjusts 5" vertically from above or below ceiling.

Conduit Fittings

Die cast screw tight connectors.

Junction Box

Listed for eight #12AWG (four in, four out) 90°C conductors feed through branch wiring. 1/2" and two 3/4" pry outs. Positioned to allow straight conduit runs. Access to junction box by removing reflector.

Trim Ring Options

Self flanged or molded white trim ring. Rimless trim ring accessory available.

Socket Connector

One piece die cast aluminum connection allows venting for maximum thermal performance.

Rotary Lock Socket

4-pin fatigue free stainless steel lamp spring ensures positive lamp retention.

13W Lamp G24q1
18W Lamp G24q2
26W/32W Lamp GX24q3
42W Lamp GX24q4

Electronic Ballast with Quick Disconnect

Electronic ballast provides full light output and rated lamp life. Provides flicker free and noise free operation and starting. End of lamp life protection is standard.

Labels

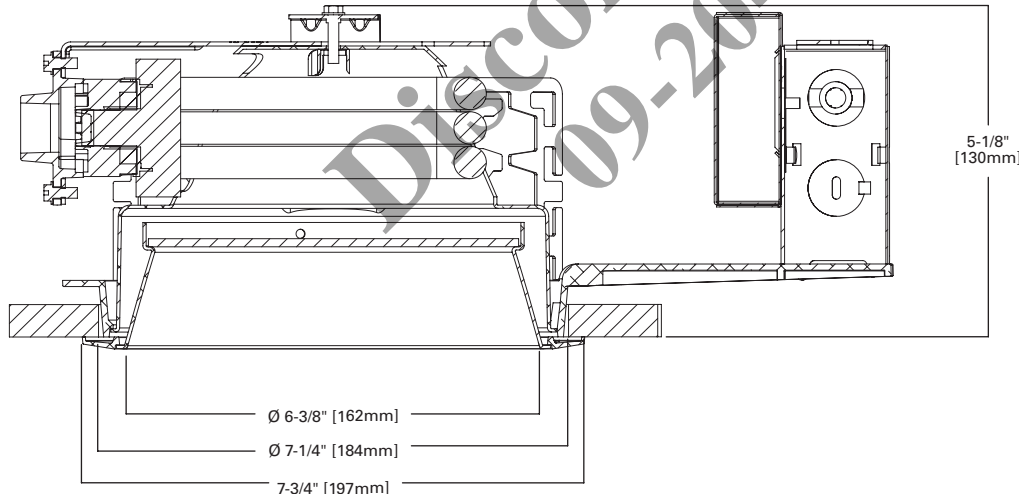
cULus listed, standard wet label. Electronic ballast housings include peel down wattage label from 42W down to 26W allowing de-rating to meet max wattage requirements. Meets IECC, ASHRAE, and Title 24 commercial standards.



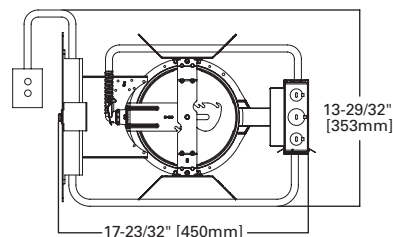
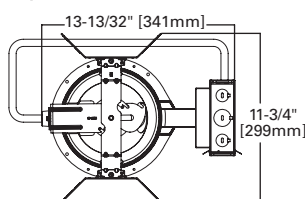
CD6S113
CD6S126
CD6S118
CD6S142
6CLS142

13W, 18W or 26W DTT
26/32/42W TTT or PLT
Compact Fluorescent

6-Inch Horizontal
Shallow Lens Downlight



Top View



(with EM option)

ENERGY DATA	
13W DTT	
Ballast: Electronic	
120V Input Watts: 16	Line Amps: 0.13
277V Input Watts: 16	Line Amps: 0.05
18W DTT	
Ballast: Electronic	
120V Input Watts: 19	Line Amps: 0.15
277V Input Watts: 19	Line Amps: 0.07
26W TTT	
Ballast: Electronic	
120V Input Watts: 27	Line Amps: 0.23
277V Input Watts: 27	Line Amps: 0.11
32W TTT	
Ballast: Electronic	
120V Input Watts: 36	Line Amps: 0.31
277V Input Watts: 36	Line Amps: 0.13
42W TTT	
Ballast: Electronic	
120V Input Watts: 46	Line Amps: 0.38
277V Input Watts: 46	Line Amps: 0.17
Power Factor: >0.99	THD: <10%
Min. Starting Temperature: -18°C (0°F)	
Sound Rating: Class A Standards	

NOTES: Accessories should be ordered separately. For additional options, please consult your Cooper Lighting Solutions Representative. Alzak is a registered trademark of Aluminum Company of America.



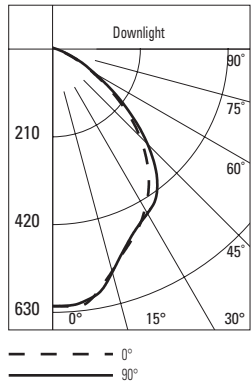
EXAMPLE: CD6S142E 6CLS142L1LI

Housing	Ballast	Options	Trims	Finish	Lens	Option	Accessories
<p>CD6S142=6" horizontal shallow 1-lamp 26/32/42W TTT</p> <p>CD6S126=6" horizontal shallow 1-lamp 26W DTT</p> <p>CD6S118=6" horizontal shallow 1-lamp 18W DTT</p> <p>CD6S113=6" horizontal shallow 1-lamp 13W DTT</p>	<p>E=120/277V 50/60 Hz Electronic</p> <p>3E=347V 50/60 Hz Electronic</p> <p>EDR26=26W Derated label electronic</p> <p>EDR32=32W Derated label electronic</p> <p>D5LT=18 or 26W 120-277V Fifth Light (DALI) Dimming for (CD6S118 or CD6S126 only)</p> <p>D5LT42=42W 120-277V Fifth Light (DALI) Dimming (CD6S142 only)</p> <p>D5LT32=32W 120-277V Fifth Light (DALI) Dimming (CD6S142 only)</p> <p>D5LT26=26W 120-277V Fifth Light (DALI) Dimming (CD6S142 only)</p> <p>3D5LT32=32W 347V Fifth Light (DALI) Dimming (CD6S142 only)</p> <p>3D5LT26=26W 347V Fifth Light (DALI) Dimming (CD6S142 only)</p> <p>3D5LT=26W 347V Fifth Light (DALI) Dimming for (CD6S126 only)</p> <p>D42=42W 120-277V Dimming, Lutron EcoSystem/3-Wire Control (Factory Wired for 3-Wire) (CD6S142 only)</p> <p>D26/32=26 or 32W 120-277V Dimming, Lutron EcoSystem/3-Wire Control (Factory Wired for 3-Wire) (CD6S142 only)</p> <p>D=120-277V Dimming Lutron EcoSystem/3-Wire Control (Factory Wired for 3-Wire) (CD6S118 or CD6S126 only)</p> <p>D26MARKVII=26W 120-277V Advance MARK7</p> <p>D32MARKVII=32W 120-277V Advance MARK7</p> <p>D42MARKVII=42W 120-277V Advance MARK7</p> <p>DMARKVII=18W or 26W 120-277V Advance MARK 7 (CDS6118 or CDS6126 only)</p> <p>1D26MARKX=26W 120V Advance MARK 10</p> <p>1D32MARKX=32W 120V Advance MARK 10</p> <p>1D42MARKX=42W 120V Advance MARK 10</p> <p>2D26MARKX=26W 277V Advance MARK 10</p> <p>2D32MARKX=32W 277V Advance MARK 10</p> <p>2D42MARKX=42W 277V Advance MARK 10</p> <p>1DMARKX=18W or 26W 120V Advance MARK 10 (CDS6118 or CDS6126 only)</p> <p>2DMARKX=18W or 26W 277V Advance MARK 10 (CDS6118 or CDS6126 only)</p>	<p>CP=Chicago Plenum</p> <p>EM=Emergency Module with remote test switch ²</p>	<p>6CLS1421=6" reflector self flanged</p> <p>6CLS1420=6" reflector polymer trim ring</p>	<p>Alzak® Finishes</p> <p>LI=Specular Clear</p> <p>H=Semi-Specular Clear</p> <p>WMH=Warm Haze</p> <p>G=Gold</p> <p>WH=Wheat</p> <p>WHH=Wheat Haze</p> <p>GP=Graphite</p> <p>GPH=Graphite Haze</p> <p>B=Black</p> <p>Painted Finishes</p> <p>W=Gloss White</p> <p>WB=White Baffle (polymer trim ring only)</p> <p>BB=Black Baffle (polymer trim ring only)</p>	<p>1=Prismatic Acrylic Lens</p> <p>2=Diffuse Acrylic Lens</p> <p>3= Clear Acrylic Lens</p> <p>1G=Prismatic Glass Lens</p> <p>2G=Diffuse Glass Lens</p> <p>3G=Clear Glass Lens</p> <p>4G=Fresnel Glass Lens</p> <p>5=Crossblade</p>	<p>WF=White Painted Flange</p>	<p>HB26=C Channel Bar Hangers, 26" Long, Pair</p> <p>HB50=C Channel Bar Hangers, 50" Long, Pair</p> <p>TRRC6P=White Rimless Trim Ring ¹</p> <p>FK5=5 Amp Field Installable Fuse Kit 300V Max</p> <p>RMB22=Wood Joist Bar Hanger, 22" Long, Pair</p> <p>TRMC6=CFL Metal Trim Ring ¹</p>

Notes: ¹ Order trim with polymer trim ring. ² Not available with Chicago Plenum. (Consult specification sheet for ordering information and options).

PHOTOMETRICS

Candlepower Distribution Curve



Test No. P13304
 CD6S142E 6CLS142W1LI1
 Lumens = 2400
 Efficiency = 47.9%
 Lamp = 32W TTT

Cone of Light

Distance Fixture to Lighted Plane	Initial Footcandles at Nadir	Beam Diameter	
5.5'	20	5.6"	6"
7.5'	11	8.1"	8.2"
8'	10	8.7"	8.8"
10'	6	10.9"	11"
12'	4	13.1"	13.2"

Candela Distribution

Degrees Vertical	Candela
0	614
5	618
15	549
25	477
35	399
45	290
55	156
65	52
75	5
85	0
90	0

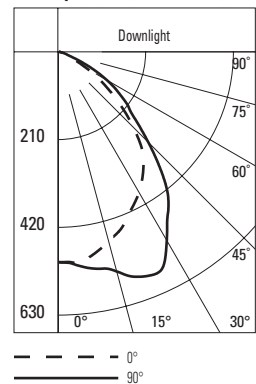
Zonal Lumen Summary

Zone	Lumens	%Fixture
0-30	435	37.8
0-40	697	60.7
0-60	1083	94.2
0-90	1149	100.0
90-180	0	0.0
0-180	1149	100.0

Luminance

Average Candela/M ²	
Degrees	Avg. 0° Luminance
45	19908
55	13203
65	5973
75	938
85	0

Candlepower Distribution Curve



Test No. P13306
 CD6S142E 6CLS142W1LI3
 Lumens = 2400
 Efficiency = 55.3%
 Lamp = 32W TTT

Cone of Light

Distance Fixture to Lighted Plane	Initial Footcandles at Nadir	L/W	
5.5'	20	6.5'	7.6'
7.5'	11	9'	10.4'
8'	9	9.6'	11'
10'	6	11.9'	13.8'
12'	4	14.3'	16.6'

Candela Distribution

Degrees Vertical	Candela
0	596
5	600
15	553
25	490
35	417
45	295
55	150
65	38
75	8
85	0
90	0

Zonal Lumen Summary

Zone	Lumens	%Fixture
0-30	509	38.3
0-40	820	61.8
0-60	1251	94.2
0-90	1328	100.0
90-180	0	0.0
0-180	1328	100.0

Luminance

Average Candela/M ²	
Degrees	Avg. 0° Luminance
45	20252
55	12695
65	4365
75	1500
85	0