

## DESCRIPTION

High efficiency, low brightness 6-inch aperture medium beam reflector for use with 26W, 32W, or 42W TTT or PLT compact fluorescent lamps. The precisely formed non-imaging optical reflector ensures 60° cutoff to lens and lens image and the one piece design eliminates light leaks at the ceiling. Adjustable socket locks lamp into optimal position and cannot be disturbed by normal maintenance. Standard features include low iridescent finish on all reflector colors and venting to ensure maximum lamp life and lumen output. Optics offer unparalleled performance in glare free lighting with a smooth beam devoid of hot spots. Medium beam, wide beam, lensed, and open wall wash reflectors are interchangeable within the same housing.

## SPECIFICATION FEATURES

### Optical Reflector

Clear upper Alzak® reflector for maximum light output. Positive reflector mounting, without tools, pulls trim tight to ceiling. Lower spun parabolic reflector, .050 thick aluminum available in a variety of Alzak® finishes.

### Lens

Choice of tempered fresnel, prismatic, diffuse, or clear glass lenses or molded prismatic acrylic, opal diffuser, or clear UV stabilized acrylic.

### Trim Ring Options

Self flanged or molded white ring. Rimless trim ring accessory available

### Mechanical Housing Mounting Frame

One piece precision die cast aluminum 1-1/2" deep collar accommodates varying dimensions of ceiling materials.

### Universal Mounting Bracket

Accepts 1/2" EMT, C Channel, T bar fasteners, and bar hangers. Adjusts 5" vertically from above or below ceiling.

### Conduit Fittings

Die cast screw tight connectors.

### Junction Box

Listed for eight #12AWG (four in, four out) 90°C conductors feed through branch wiring. 1/2" and two 3/4" pry outs. Positioned to allow straight conduit runs. Access to junction box by removing reflector.

### Socket Cap

One piece vented and finned die cast aluminum cap for maximum thermal performance.

### Socket

4-pin GX24q3/4 fatigue free stainless steel lamp spring ensures positive lamp retention.

### Electronic Ballast with Quick Disconnect

Electronic ballast provides full light output and rated lamp life. Provides flicker free and noise free operation and starting. End of lamp life protection is standard.

### Labels

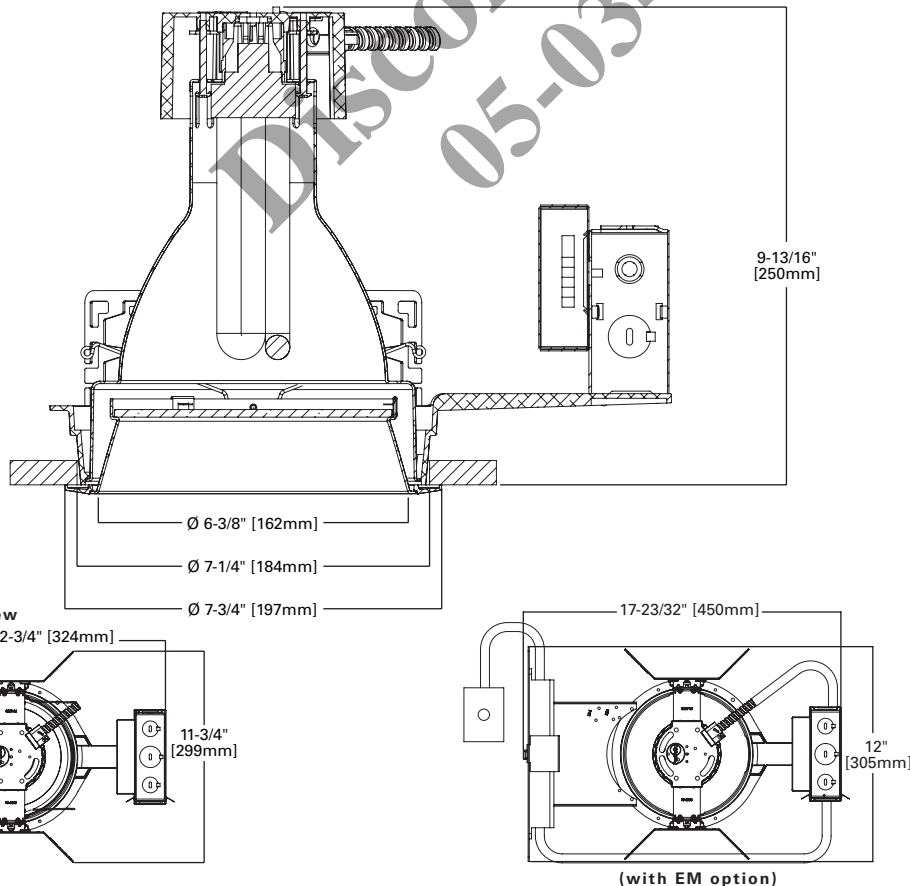
cULus listed, standard wet label. Electronic ballast housings include peel down wattage label from 42W down to 26W allowing de-rating to meet max wattage requirements. Meets IECC, ASHRAE, and Title 24 commercial standards.



**CD6013**  
**CD6018**  
**CD6042**  
**6CLV142M**

**13 or 18W DTT**  
**26/32 TTT or PLT**  
**Compact Fluorescent**

**6-Inch Vertical**  
**Medium Beam Lens Downlight**



## ENERGY DATA

13W DTT	
Ballast: Electronic	
120V Input Watts: 16	Line Amps: 0.13
277V Input Watts: 16	Line Amps: 0.05

18W DTT	
Ballast: Electronic	
120V Input Watts: 19	Line Amps: 0.15
277V Input Watts: 19	Line Amps: 0.07

26W TTT	
Ballast: Electronic	
120V Input Watts: 27	Line Amps: 0.23
277V Input Watts: 29	Line Amps: 0.11

32W TTT	
Ballast: Electronic	
120V Input Watts: 36	Line Amps: 0.31
277V Input Watts: 36	Line Amps: 0.13

NOTES: Accessories should be ordered separately. For additional options, please consult your Cooper Lighting Solutions Representative. Alzak is a registered trademark of Aluminum Company of America.

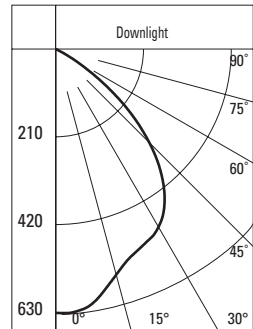
EXAMPLE: CD6042E 6CLV042M1LI

Housing	Ballast	Options	Trims	Finish	Lens	Option	Accessories
<p><b>CD6013</b>=6" vertical 13W DTT lamp  <b>CD6018</b>=6" vertical 18W DTT lamp  <b>CD6042</b>=6" vertical 26/32/42 TTT lamp</p>	<p><b>E</b>=120/277V 50/60 Hz Electronic  <b>3E</b>=347V 50/60 Hz Electronic  <b>EDR26</b>=26W Derated label electronic  <b>EDR32</b>=32W Derated label electronic  <b>D5LT</b>=18W 120-277V Fifth Light (DALI Dimming) (CD6018 only)  <b>D5LT32</b>=32W 120-277V Fifth Light (DALI) Dimming  <b>D5LT26</b>=26W 120-277V Fifth Light (DALI) Dimming  <b>3D5LT32</b>=32W 347V Fifth Light (DALI) Dimming  <b>3D5LT26</b>=26W 347V Fifth Light (DALI) Dimming  <b>D26/32</b>=26W or 32W 120-277V Dimming, Lutron EcoSystem/  <b>3-Wire Control (Factory Wired for 3-Wire)</b>  <b>D</b>=120-277V Dimming Lutron EcoSystem/  <b>3-Wire Control (Factory Wired for 3-Wire)</b>  <b>D26MARKVII</b>=26W 120-277V Advance MARK7  <b>D32MARKVII</b>=32W 120-277V Advance MARK7  <b>D42MARKVII</b>=42W 120-277V Advance MARK7  <b>DMARKVII</b>=18W 120-277V Advance MARK 7 (CD6018 only)  <b>1D26MARKX</b>=26W 120V Advance MARK 10  <b>1D32MARKX</b>=32W 120V Advance MARK 10  <b>1D42MARKX</b>=42W 120V Advance MARK 10  <b>2D26MARKX</b>=26W 277V Advance MARK 10  <b>2D32MARKX</b>=32W 277V Advance MARK 10  <b>2D42MARKX</b>=42W 277V Advance MARK 10  <b>1DMARKX</b>=18W 120V Advance MARK 10 (CD6018 only)  <b>2DMARKX</b>=18W 277V Advance MARK 10 (CD6018 only)</p>	<p><b>CP</b>=Chicago Plenum  <b>EM</b>=Emergency Module with remote test switch <sup>2</sup></p>	<p><b>6CLV142M1</b>=6" self flanged medium beam reflector  <b>6CLV142M0</b>=6" medium beam reflector with polymer trim ring</p>	<p><b>Alzak® Finishes</b>  <b>LI</b>=Specular Clear  <b>H</b>= Semi-Specular Clear  <b>WMH</b>=Warm Haze  <b>G</b>=Gold  <b>WH</b>=Wheat  <b>WHH</b>=Wheat Haze  <b>GP</b>=Graphite  <b>GPH</b>=Graphite Haze  <b>B</b>=Black  <b>Painted Finishes</b>  <b>W</b>=Gloss White  <b>WB</b>=White Baffle (polymer trim ring only)  <b>BB</b>=Black Baffle (polymer trim ring only)</p>	<p><b>1</b>=Prismatic Acrylic Lens  <b>2</b>=Diffuse Acrylic Lens  <b>3</b>=Clear Acrylic Lens  <b>1G</b>=Prismatic Glass Lens  <b>2G</b>=Diffuse Glass Lens  <b>3G</b>=Clear Glass Lens  <b>4G</b>=Fresnel Glass Lens</p>	<p><b>WF</b>=White Painted Flange</p>	<p><b>HB26</b>=C Channel Bar Hangers, 26" Long, Pair  <b>HB50</b>=C Channel Bar Hangers, 50" Long, Pair  <b>TRRC6</b>=Rimless Trim Ring, White <sup>1</sup>  <b>FK5</b>=5 Amp Field Installable Fuse Kit 300V Max  <b>RMB22</b>=Wood Joist Bar Hanger, 22" Long, Pair  <b>HSAC6</b>=Slope Adapter for 6" Aperture Housings, Specify Slope  <b>TRMC6</b>=CFL Metal Trim Ring <sup>1</sup></p>

Notes: <sup>1</sup> Order trim with polymer trim ring. <sup>2</sup> Not available with Chicago Plenum. (Consult specification sheet for ordering information and options).

PHOTOMETRICS

Candlepower Distribution Curve



Test No. P13346  
 CD6042E 6CLV142M1LI  
 Lumens = 2400  
 Efficiency = 45.80%  
 Lamp = 32W TTT

Cone of Light

Distance Fixture to Lighted Plane	Initial Footcandles at Nadir	L/W	
5.5'	21	7'	7'
7.5'	11	8.6'	8.6'
8'	10	9.2'	9.2'
10'	6	11.6'	11.6'
12'	4	13.8'	13.8'

Candela Distribution

Degrees Vertical	Candela
0	627
5	624
15	555
25	507
35	450
45	314
55	127
65	7
75	1
85	0
90	0

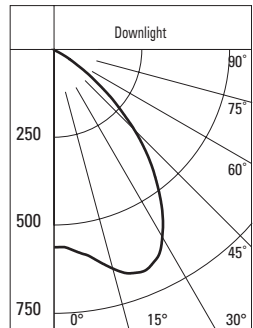
Zonal Lumen Summary

Zone	Lumens	%Fixture
0-30	450	41.0
0-40	730	66.5
0-60	1086	98.8
0-90	1099	100.0
90-180	0	0.0
0-180	1099	100.0

Luminance

Average Candela/M <sup>2</sup> Degrees	Avg. 0° Luminance
45	21556
55	10748
65	804
75	188
85	0

Candlepower Distribution Curve



Test No. P13348  
 CD6042E 6CLV142M1LI  
 Lumens = 2400  
 Efficiency = 51.50%  
 Lamp = 32W TTT

Cone of Light

Distance Fixture to Lighted Plane	Initial Footcandles at Nadir	L/W	
5.5'	19	7.6'	7.6'
7.5'	10	10.4'	10.4'
8'	9	11.2'	11.2'
10'	6	14'	14'
12'	4	16.8'	16.8'

Candela Distribution

Degrees Vertical	Candela
0	558
5	567
15	640
25	664
35	528
45	324
55	114
65	6
75	1
85	1
90	0

Zonal Lumen Summary

Zone	Lumens	%Fixture
0-30	542	43.9
0-40	871	70.5
0-60	1221	98.8
0-90	1235	100.0
90-180	0	0.0
0-180	1235	100.0

Luminance

Average Candela/M <sup>2</sup> Degrees	Avg. 0° Luminance
45	22243
55	9648
65	689
75	188
85	557