

DESCRIPTION

Low brightness 6-inch aperture downlight for use with 18W Quad tube 4-pin lamp for below ceiling installation. The precisely formed non-imaging reflector ensures 45° cutoff to lamp and lamp image and the one piece design eliminates light leaks at the ceiling. Standard features include low iridescent finish on all reflector colors to eliminate "rainbowing" and venting to ensure maximum lamp life and lumen output. Optics offer unparallel performance in glare free lighting with a smooth beam devoid of hot spots. Open downlight and open wall wash trims are interchangeable within the same housing.

Catalog #		Type
Project		
Comments		Date
Prepared by		

SPECIFICATION FEATURES

Reflector

.050 thick aluminum, in a one piece spun macrofocal parabolic contour. Available in a variety of Alzak® finishes. Also available with White or Black Baffle. Positive reflector mounting pulls trim tight to ceiling.

Trim Ring Options

Self flanged or molded white trim ring. Rimless or metal trim ring accessories available.

Socket Connector

One piece vented and finned die cast aluminum cap for maximum thermal performance.

Housing Construction

Galvanized steel plaster ring accommodates up to 1" ceiling thickness.

Conduit Fittings

Die cast screw tight connectors.

Socket

4-pin G24q2 base with fatigue free stainless steel lamp spring ensures positive lamp retention.

Electronic Ballast

Electronic ballast provides full light output and rated lamp life. Provides flicker free and noise free operation and starting. End of lamp life protection is standard.

Labels

cULus listed, C.S.A. certified, standard damp label.



C6RV018
C6IV018

6000/6001

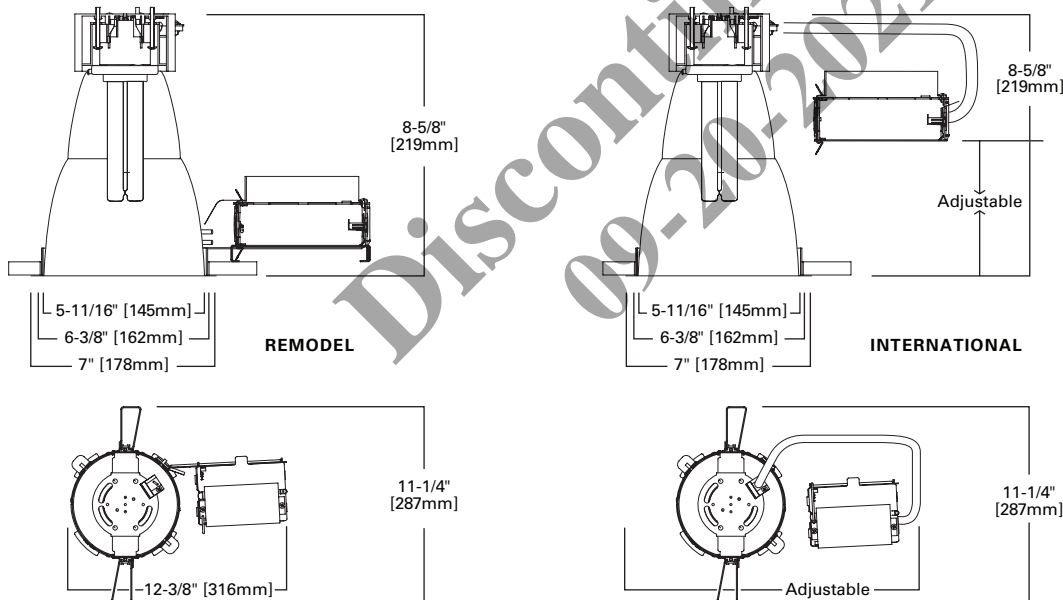
18W DTT
Compact Fluorescent

6-Inch Remodel/International
Vertical Open Downlight

ENERGY DATA

(2) 18W TTT 4-pin	
Ballast: Electronic	
120V Input Watts: 29	Line Amps: 0.25
277V Input Watts: 26	Line Amps: 0.09
Power Factor: >0.99	THD: <30%
Min. Starting Temperature: -10°C (15°F)	
Sound Rating: Class A Standards	

NOTES: Accessories should be ordered separately. For additional options, please consult your Cooper Lighting Solutions Representative. Alzak is a registered trademark of Aluminum Company of America.



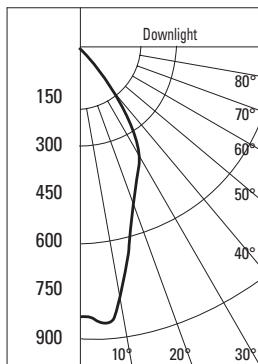
EXAMPLE: C6RV018ECP 6000LIWF=6" CFL Vertical Remodel Downlight, (1) 18Watt DTT lamp with 120/277 Volt, Chicago Plenum, Self Flanged with Specular Clear Finish

Housing	Ballast	Options	Reflector	Finish	Options	Accessories
C6RV018 =6" CFL Vertical Remodel, (1) 18W DTT C6IV018 =6" CFL Vertical International, (1) 18W DTT	E =120/277V 50/60 Hz Electronic 3E =347V 50/60 Hz Electronic D5LT =120-277V Fifth Light (DALI Dimming) D =120-277V Dimming Lutron EcoSystem/3-Wire Control (Factory Wired for 3-Wire) DMARKVII =18W 120-277V Advance MARK 7 1DMARKX =18W 120V Advance MARK 10 2DMARKX =18W 277V Advance MARK 10	EM =Emergency Module with RemoteTest Switch	6001 =Downlight Reflector, Self Flanged 6000 =Downlight Reflector, Polymer Trim Ring	LI =Specular Clear H =Semi-Specular Clear WMH =Warm Haze G =Specular Gold WH =Wheat WHH =Wheat Haze GP =Graphite GPH =Graphite Haze B =Specular Black W =Gloss White BB =Black Baffle (6000 only) WB =White Baffle (6000 only)	WF =White painted Flange (Self Flanged only)	TRM6 =Metal Trim Ring, Specify Finish ¹ TRR6 =Trimless Trim Ring, White ¹ FK5 =5 Amp Field Installable Fuse Kit 300V Max DT6 =Deco trim ¹ ABR6P =Remodel Adaptor Ring for 7" OD ABR7P =Remodel Adaptor Ring for 8" OD ABR8P =Remodel Adaptor Ring for 9" OD

Notes: ¹ Order trim with polymer trim ring (Consult specification sheet for ordering information and options).

PHOTOMETRICS

Candlepower Distribution Curve



Test No. H22200 C6RV018 6000LI Lamp = 18W DTT Lumens = 1250 Spacing Criterion = 0.7 Efficiency = 51.8%

Cone of Light

Distance Fixture to Lighted Plane	Initial Footcandles at Nadir	Beam Diameter
4'6"	39	3'6"
5'6"	26	4'0"
6'6"	19	4'6"
8'0"	12	6'0"
10'0"	8	7'6"
12'0"	6	8'6"

Zonal Lumen Summary

Zone	Lumens	% Fixture
0-30	429	64.9
0-40	575	88.9
0-60	647	100.0
0-90	647	100.0
90-180	0	0.4
0-180	647	100.0

Luminance

Degrees	CD/SQ M
45	8023
55	0
65	0
75	0
85	0

Candela Distribution

Degrees	CD
0	795
5	808
15	586
25	392
35	248
45	93
55	0
65	0
75	0
85	0
90	0

Beam diameter is to 50% of maximum footcandles, rounded to the nearest half-foot.

Footcandle values are initial, apply appropriate light loss factors where necessary.

Reflector Multiplier: EM Multiplier (in emergency mode):
 Haze = .95
 Straw = .90
 Wheat = .90
 EM = .52