

## DESCRIPTION

Low brightness 6" aperture GRUVI wall wash for use with 26W, 32W, or 42W Triple Twin Tube 4-pin compact fluorescent lamp for below ceiling installation. The geometric stepped reflector maximizes flux towards the wall and is spectrally neutral leaving the color temperature and the color rendering of the source unchanged. It is available in single and double wall wash versions. The one piece design eliminates light leaks at the ceiling. Standard features include low iridescent finish on all reflectors, electronic ballast and venting to ensure maximum lamp life and lumen output. Optics offer unparalleled performance with uniform illumination on wall, no flashback. Open downlight, lens, and open wall wash trims are interchangeable within the same housing.

## SPECIFICATION FEATURES

### Reflector

Injection molded Geometric Reflector for Uniform Vertical Illumination is vacuum metallized with polysiloxane hardcoat finish. One piece spun parabolic downlight reflector, .050 thick aluminum, available in a variety of Alzak® finishes.

### Trim Ring Options

Self flanged or molded white trim ring. Rimless or metal trim ring accessories available.

### Socket Connector

One piece die cast aluminum connection allows venting for maximum thermal performance.

### Housing Construction

Galvanized steel plaster ring accommodates up to 1" ceiling thickness.

### Conduit Fittings

Snap-in connectors.

### Rotary Lock Socket

4 pin rotary base with fatigue free stainless steel lamp spring ensures positive lamp retention.

### Electronic Ballast

Electronic ballast provides full light output and rated lamp life. Provides flicker free and noise free operation and starting. End of lamp life protection is standard.

### Labels

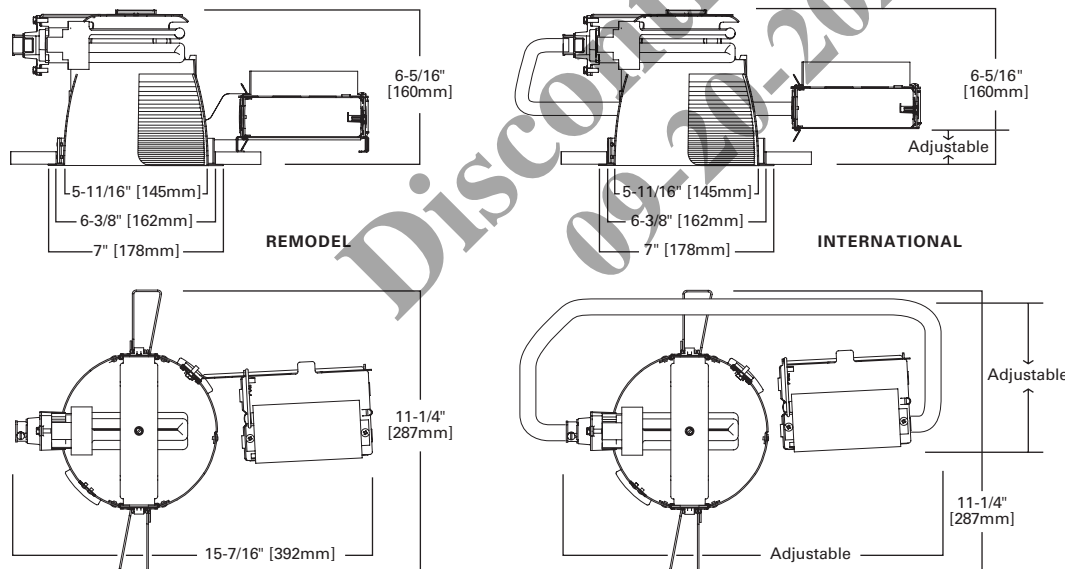
cULus listed, C.S.A. certified, standard damp label.



**C6RH142**  
**C6IH142**  
**6110/6111**

**26W, 32W, or 42W**  
**TTT or PLT**  
**Compact Fluorescent**

**6-Inch Remodel/International**  
**Horizontal Open Downlight**



ENERGY DATA	
26W TTT 4-pin	
Ballast: Electronic	
120V Input Watts: 29	Line Amps: 0.25
277V Input Watts: 26	Line Amps: 0.09
Power Factor: >0.99	THD: <90%
Min. Starting Temperature: -10°C (15°F)	
Sound Rating: Class A Standards	
32W TTT 4-pin	
Ballast: Electronic	
120V Input Watts: 36	Line Amps: 0.32
277V Input Watts: 36	Line Amps: 0.16
Power Factor: >0.99	THD: <10%
Min. Starting Temperature: -10°C (10°F)	
Sound Rating: Class A Standards	

**NOTES:** Accessories should be ordered separately. For additional options, please consult your Cooper Lighting Solutions Representative. Alzak is a registered trademark of Aluminum Company of America.

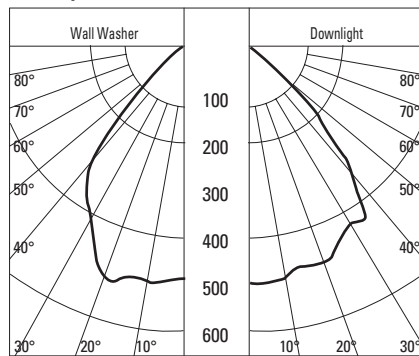
EXAMPLE: C6RH142ECP 6111LIWF=6" CFL Horizontal Remodel Single Wall Wash, 42 Watt Triple Tube 120/277 Volt, Chicago Plenum, Self Flanged with Specular Clear Finish

Housing	Wattage	Ballast	Options	Reflector	Finish	Options	Accessories
C6RH=6" CFL Horizontal Remodel C6IH=6" CFL Horizontal International	142=26/32/42W TTT or PLT	E=120/277V 50/60 Hz Electronic 3E=347V 50/60 Hz Electronic D5LT26=26W 120-277V Fifth Light (DALI Dimming) D5LT32=32W 120-277V Fifth Light (DALI Dimming) D5LT42=42W 120-277V Fifth Light (DALI Dimming) D26/32=26 or 32W 120-277V Dimming Lutron EcoSystem/3-Wire Control (Factory Wired for 3-Wire) D42=42W 120-277V Dimming Lutron EcoSystem/3-Wire Control (Factory Wired for 3-Wire) EDR26=DeRated Wattage Label, 26W EDR32=DeRated Wattage Label, 32W D26MARKVII=26W 120-277V Advance MARK7 D32MARKVII=32W 120-277V Advance MARK7 D42MARKVII=42W 120-277V Advance MARK7 1D26MARKX=26W 120V Advance MARK 10 1D32MARKX=32W 120V Advance MARK 10 1D42MARKX=42W 120V Advance MARK 10 2D26MARKX=26W 277V Advance MARK 10 2D32MARKX=32W 277V Advance MARK 10 2D42MARKX=42W 277V Advance MARK 10	EM=Emergency Module with Remote Test Switch	6111=Single Wall Wash, Self Flanged 6110=Single Wall Wash, Polymer Trim Ring 6121=Double Wall Wash, Self Flanged 6120=Double Wall Wash, Polymer Trim Ring	LI=Specular Clear H=Semi-Specular Clear WMH=Warm Haze G=Specular Gold WH=Wheat WHH=Wheat Haze GP=Graphite GPH=Graphite Haze B=Specular Black W=Gloss White	WF=White painted Flange (Self Flanged only)	TRM6=Metal Trim Ring, Specify Finish <sup>1</sup> TRR6=Rimless Trim Ring, White <sup>1</sup> FK5=5 Amp Field Installable Fuse Kit 300V Max DT6=Deco trim <sup>1</sup> ABR6P=Remodel Adaptor Ring for 7" OD ABR7P=Remodel Adaptor Ring for 8" OD ABR8P=Remodel Adaptor Ring for 9" OD

Notes: <sup>1</sup>Order trim with polymer trim ring (Consult specification sheet for ordering information and options).

PHOTOMETRICS

Candlepower Distribution Curve



Test No. H22210  
Lamp = 26W TTT  
Lumens = 1800  
Spacing Criteria:  
0° Wall Wash = 1.2  
180° Downlight = 1.3  
Efficiency = 51.2%

Candela Distribution

Degrees Vertical	0°	180°
0	481	481
5	477	489
15	488	469
25	451	445
35	382	409
45	244	224
55	112	98
65	55	7
75	22	4
85	6	2
90	0	0

Luminance

Degrees	0°	180°
45	20992	19337
55	11888	10454
65	7887	937
75	5250	1036
85	4055	1189

Single Unit Footcandles

Multiple Unit Footcandles

	2'6" from wall (distance from fixture along wall)							2' from wall (spacing between fixtures)				2'6" from wall (spacing between fixtures)				3' from wall (spacing between fixtures)									
	DD	1'	2'	3'	4'	5'	6'	2'	4'	3'	4'	3'	4'	3'	4'	3'	4'								
1	5	4	2	1	0	0	0	16	14	16	11	4	11	7	6	7	6	3	6	4	4	4	3	3	3
2	12	9	4	1	1	0	0	33	32	33	22	11	22	14	13	14	13	7	13	9	8	9	8	6	8
3	14	11	6	3	1	0	0	32	34	32	19	14	19	20	18	20	16	13	16	15	14	15	11	10	11
4	9	9	6	3	2	1	0	24	24	24	13	14	13	16	18	16	13	13	13	15	16	15	12	11	12
5	6	6	5	3	2	1	1	17	18	17	10	10	10	14	13	14	10	11	10	13	13	13	10	11	10
6	4	4	3	3	2	1	1	12	12	12	8	7	8	10	10	10	8	8	8	11	11	11	8	8	8
7	3	3	3	2	2	1	1	8	9	8	6	6	6	8	8	8	7	6	7	8	9	8	7	7	7
8	2	2	2	2	1	1	1	6	6	6	4	4	4	6	6	6	5	5	5	7	7	7	6	6	6
9	2	1	1	1	1	1	1	4	5	4	3	3	3	5	5	5	4	4	4	5	5	5	4	5	4
10	1	1	1	1	1	1	1	3	3	3	3	3	3	4	4	4	3	3	3	4	4	4	4	4	4

- Notes:
- Illuminance values for multiple fixtures are based upon the center two units of a four unit array. Footcandle values are centerline of fixtures and centered between fixtures.
  - Illuminance values are cosine corrected initial values with no contribution from inter reflections from other room surfaces. Total illumination may increase from contributions from other surfaces.
  - Changing fixture spacing will affect illuminance level.
- New Fc =  $\frac{\text{Existing Spacing}}{\text{New Spacing}} \times \text{Average Table Fc Level}$
- When selecting colored cones option, only downlight cone is colored; the wall wash reflector is specular clear. This allows the color (CRI, °K) of the light source to be unaffected and maximizes lumen output.

