

DESCRIPTION

Low brightness 6-inch aperture reflector for use with (1 or 2) 18 or 26W Quad compact fluorescent lamps for below ceiling installation. The precisely formed non-imaging reflector ensures 45° cutoff to lamp and lamp image and the one piece design eliminates light leaks at the ceiling. Standard features include low iridescent finish on all reflector colors to eliminate "rainbowing". One electronic ballast operates 18 or 26W triple lamps. Venting ensures maximum lamp life and lumen output. Adjustable socket locks lamp into optimal position and cannot be disturbed by normal maintenance. Medium beam, wide beam, lensed, and open wall wash reflectors are interchangeable within the same housing.

Catalog #		Type
Project		
Comments		Date
Prepared by		

SPECIFICATION FEATURES

Reflector

Injection molded Geometric Reflector for Uniform Vertical Illumination is vacuum metallized with polysiloxane hardcoat finish. One piece spun parabolic downlight reflector, .050" thick aluminum, available in a variety of Alzak® finishes.

Trim Ring Options

Self flanged or molded white trim ring. Rimless metal trim ring accessories available.

Socket Connector

One piece die cast aluminum connection allows venting for maximum thermal performance.

Housing Construction

Galvanized steel plaster ring accommodates up to 1" ceiling thickness.

Conduit Fittings

Die cast screw tight connectors.

Rotary Lock Socket

4-pin base with fatigue free stainless steel lamp spring ensures positive lamp retention. 26W Lamp: 4-pin G24Q-3 18W Lamp: 4-pin G24Q-2.

Electronic Ballast

Electronic ballast provides full light output and rated lamp life. Provides flicker free and noise free operation and starting. End of lamp life protection is standard.

Labels

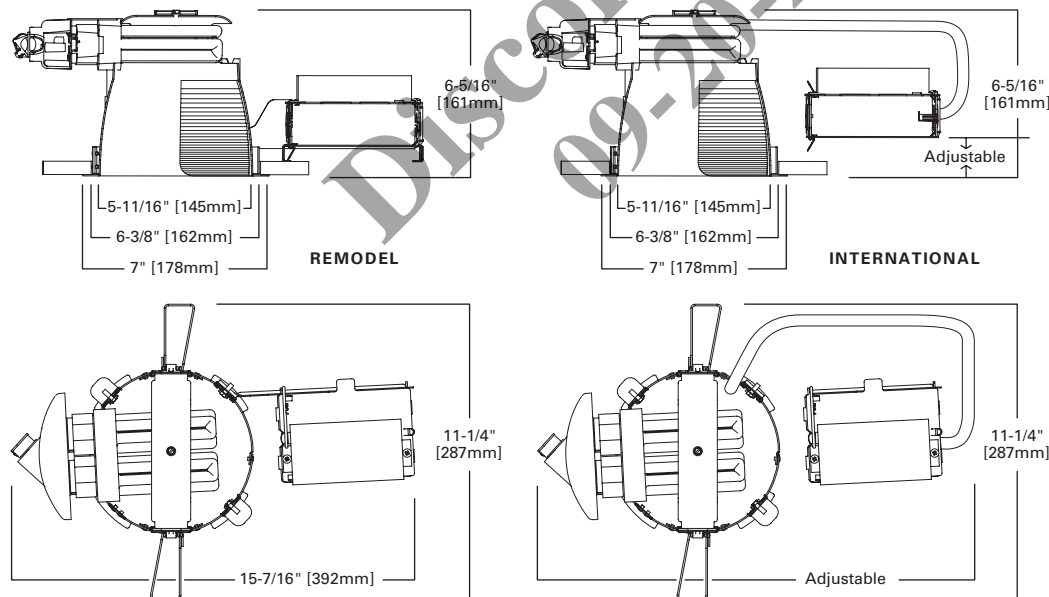
cULus listed, C.S.A. certified, standard damp label.



C6RH C6IH 6210/6211

(1 or 2) 18W or 26W DTT
Compact Fluorescent

6-Inch Remodel International
Horizontal Open Wall Wash



ENERGY DATA

(2) 18W Quad 4-pin	
Ballast: Electronic	
120V Input Watts: 37	Line Amps: 0.32
277V Input Watts: 37	Line Amps: 0.14
Power Factor: >0.99	THD: <10%
Min. Starting Temperature: -10°C (15°F)	
Sound Rating: Class A Standards	

(2) 26W Quad 4-pin	
Ballast: Electronic	
120V Input Watts: 50	Line Amps: 0.45
277V Input Watts: 50	Line Amps: 0.20
Power Factor: >0.99	THD: <10%
Min. Starting Temperature: -10°C (15°F)	
Sound Rating:	

NOTES: Accessories should be ordered separately. For additional options, please consult your Cooper Lighting Solutions Representative. Alzak is a registered trademark of Aluminum Company of America.

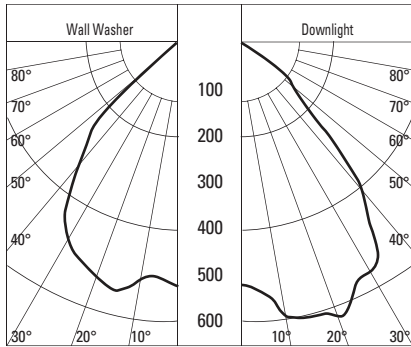
EXAMPLE: C6RH218ECP 6211LIWF=6" CFL Horizontal Remodel Single Wall Wash, (2) 18 Watt 120/277 Volt, Chicago Plenum, Self Flanged with Specular Clear Finish

Housing	Wattage	Ballast	Options	Reflector	Finish	Options	Accessories
<p>C6RH=6" CFL Horizontal Remodel</p> <p>C6IH=6" CFL Horizontal International</p> <p>218=(2) 18W DTT</p> <p>226=(2) 26W DTT</p> <p>118=(1) 18W DTT</p> <p>126=(1) 26W DTT</p>		<p>E=120/277V 50/60 Hz Electronic</p> <p>3E=347V 50/60 Hz Electronic</p> <p>D5LT=120-277V Fifth Light (DALI Dimming)</p> <p>3D5LT=347V Fifth Light (DALI Dimming) (26W only)</p> <p>D=120-277V Dimming Lutron EcoSystem/3-Wire Control (Factory Wired for 3-Wire)</p> <p>DMARKVII=18W or 26W 120-277V Advance MARK 7</p> <p>1DMARKX=18W or 26W 120V Advance MARK 10</p> <p>2DMARKX=18W or 26W 277V Advance MARK 10</p>	<p>EM=Emergency Module with RemoteTest Switch</p>	<p>6211=Single Wall Wash, Self Flanged</p> <p>6210=Single Wall Wash, Polymer Trim Ring</p> <p>6221=Double Wall Wash, Self Flanged</p> <p>6220=Double Wall Wash, Polymer Trim Ring</p>	<p>LI=Specular Clear</p> <p>H=Semi-Specular Clear</p> <p>WMH=Warm Haze</p> <p>G=Specular Gold</p> <p>WH=Wheat</p> <p>WHH=Wheat Haze</p> <p>GP=Graphite</p> <p>GPH=Graphite Haze</p> <p>B=Specular Black</p> <p>W=Gloss White</p>	<p>WF=White painted Flange (Self Flanged only)</p>	<p>TRM6=Metal Trim Ring, Specify Finish ¹</p> <p>TRR6=Rimless Trim Ring, White ¹</p> <p>FK5=5 Amp Field Installable Fuse Kit 300V Max</p> <p>DT6=Deco trim ¹</p> <p>ABR6P=Remodel Adaptor Ring for 7" OD</p> <p>ABR7P=Remodel Adaptor Ring for 8" OD</p> <p>ABR8P=Remodel Adaptor Ring for 9" OD</p>

Notes: ¹Order trim with polymer trim ring
(Consult specification sheet for ordering information and options).

PHOTOMETRICS

Candlepower Distribution Curve



Test No. H22273
C6RH226E 6211LI
Lamp = (2) 26W Quad
Lumens = 1800
Spacing Criteria:
0° Wall Wash = 1.3,
180° Downlight = 1.4
Efficiency = 44.3%

Candela Distribution

Degrees Vertical	0°	180°
0	532	532
5	531	565
15	574	625
25	523	590
35	425	479
45	260	260
55	127	71
65	68	6
75	31	3
85	4	1
90	0	0

Luminance

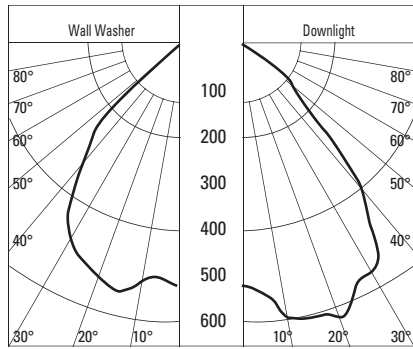
Degrees	0°	180°
45	22422	22362
55	13449	7500
65	9833	793
75	7298	589
85	2936	419

Single Unit Footcandles

Multiple Unit Footcandles

DD	2'6" from wall (distance from fixture along wall)							2'6" from wall (spacing between fixtures)				3' from wall (spacing between fixtures)				4' from wall (spacing between fixtures)									
	1'	2'	3'	4'	5'	6'	7'	8'	9'	10'	11'	12'	13'	14'	15'	16'	17'	18'	19'	20'					
1	6	4	2	1	0	0	0	7	5	7	6	3	6	4	4	4	4	3	4	2	1	2	1	1	1
2	11	7	3	1	0	0	0	13	11	13	12	7	12	9	8	9	7	5	7	4	4	4	3	2	3
3	12	9	5	2	1	0	0	16	15	16	13	10	13	12	12	12	9	8	9	6	5	6	4	3	4
4	9	8	5	3	2	1	0	14	15	14	12	10	12	13	13	13	10	9	10	7	7	7	5	4	5
5	6	5	4	3	1	1	0	11	12	11	9	9	9	12	12	12	9	9	9	7	7	7	5	5	5
6	4	4	3	2	1	1	0	11	12	11	9	9	9	9	9	9	7	7	7	7	7	7	5	5	5
7	3	3	2	2	1	1	1	9	9	9	7	7	7	7	7	7	6	6	6	6	6	6	4	4	4
8	2	2	2	1	1	1	1	7	7	7	6	6	6	6	6	6	5	5	5	5	5	5	4	4	4
9	1	1	1	1	1	1	0	5	5	5	4	4	4	5	5	5	4	4	4	5	5	5	3	3	3
10	1	1	1	1	1	1	0	4	4	4	4	4	4	4	4	4	3	3	3	4	4	4	3	3	3

Candlepower Distribution Curve



Test No. H22273
 C6RH226E 6211LI
 Lamp = (2) 26W Quad
 Lumens = 1800
 Spacing Criteria:
 0° Wall Wash = 1.3
 180° Downlight = 1.4
 Efficiency = 38.9%

Candela Distribution

Degrees Vertical	0°	180°
0	682	682
5	678	721
15	725	809
25	652	770
35	527	628
45	339	362
55	174	109
65	99	8
75	43	3
85	6	1
90	0	0

Luminance

Degrees	CD/SQ M	
	0°	180°
45	29178	31178
55	18432	11526
65	14274	1081
75	10124	777
85	4055	559

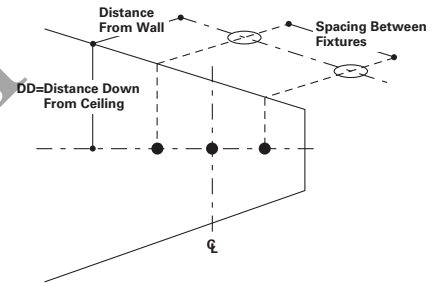
Single Unit Footcandles

Multiple Unit Footcandles

DD	2'6" from wall <i>(distance from fixture along wall)</i>							2'6" from wall <i>(spacing between fixtures)</i>				3' from wall <i>(spacing between fixtures)</i>				4' from wall <i>(spacing between fixtures)</i>								
	1'	2'	3'	4'	5'	6'	1'	2'	3'	4'	1'	2'	3'	4'	1'	2'	3'	4'						
1	8	6	2	1	0	0	10	8	10	9	4	9	6	6	6	5	4	5	2	2	2	2	1	2
2	14	10	4	2	1	0	17	15	18	16	9	16	12	11	12	10	8	10	5	5	5	4	3	3
3	14	12	7	3	1	0	20	20	20	17	14	17	16	16	16	13	12	13	8	7	8	6	4	6
4	11	10	6	4	2	1	19	19	19	15	13	15	17	17	17	13	12	13	9	9	9	7	5	7
5	7	7	5	3	2	1	15	15	15	11	12	11	15	15	15	11	11	11	10	10	10	7	6	7
6	5	5	4	3	2	1	11	12	11	9	9	9	12	12	12	9	10	9	9	9	9	7	6	7
7	3	3	3	2	2	1	9	9	9	7	7	7	10	10	10	8	8	8	8	8	8	6	6	6
8	2	2	2	2	1	1	7	7	7	6	6	6	8	8	8	6	6	6	7	7	7	5	5	5
9	2	2	1	1	1	1	5	5	5	5	5	5	6	6	6	5	5	5	6	6	6	4	4	4
10	1	1	1	1	1	1	4	4	4	4	4	4	5	5	5	4	4	4	5	5	5	4	4	4

Notes:

- Illuminance values for multiple fixtures are based upon the center two units of a four unit array. Footcandle values are centerline of fixtures and centered between fixtures.
 - Illuminance values are cosine corrected initial values with no contribution from inter reflections from other room surfaces. Total illumination may increase from contributions from other surfaces.
 - Changing fixture spacing will affect illuminance level.
- $$\text{New Fc} = \frac{\text{Existing Spacing}}{\text{New Spacing}} \times \text{Average Table Fc Level}$$
- When selecting colored cones option, only downlight cone is colored; the wall wash reflector is specular clear. This allows the color (CRI, °K) of the light source to be unaffected and maximizes lumen output.



Discontinued
09-20-2021