

Project		Catalog #		Type	
Prepared by		Notes		Date	



Metalux

XHB LED

Extreme High Bay

Typical Applications

- Industrial • Demanding and complex environments

Interactive Menu

- Order Information [page 2](#)
- Photometric Data [page 3](#)
- Energy Data [page 3](#)
- Product Warranty

Top Product Features

- Heavy-duty diecast aluminum housing
- XHB housing constructed for durability and optimal thermal control
- Available in 60,000 and 85,000 lumen packages
- cULus listed for wet locations
- IP66 listed and rated for up to 65C ambient
- Options to meet Trade Agreements Act requirements

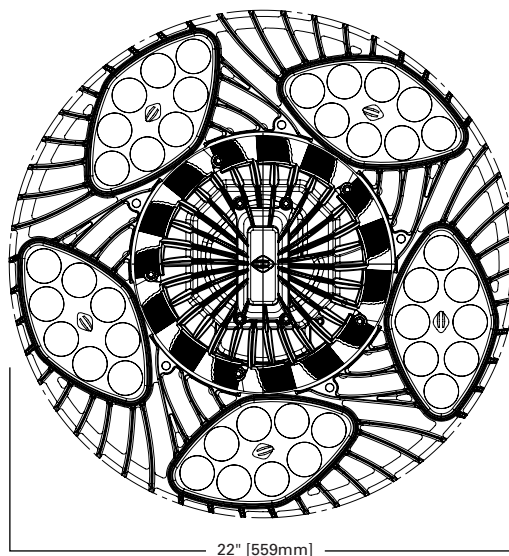
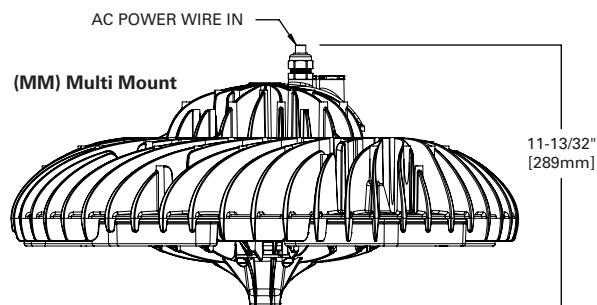
Product Certification



Product Features



Dimensional and Mounting Details



[additional product diagrams](#)

Order Information

SAMPLE ORDER NUMBER: **XHB-LD1-60-W-V2-L850-MM-BLK-JB-FO-U**

All values are measured under laboratory conditions at 25 °C. Actual performance may differ as a result of end-user environment or application.

Domestic Preferences	Series	LED Type	LED Lumen Output	Distribution	Voltage	CCT
Domestic Preferences ⁽¹⁾	Series	LED Type	LED Lumen Output	Distribution	Voltage	CCT
[Blank]=Standard TAA=Trade Agreements Act	XHB=Extreme LED High Bay	LD1=LED 1.0	60=60,000 Lumens 85=85,000 Lumens	N=Narrow M=Medium W=Wide EW=Extra Wide	V1=120-240VAC V2=277-480VAC	L840=4000K, 80CRI L850=5000K, 80CRI
Notes						
(1) Only product configurations with this designated prefix are built to be compliant with the Trade Agreements Act of 1979 (TAA). Please refer to DOMESTIC.PREFERENCES website for more information. Components shipped separately may be separately analyzed under domestic preference requirements.						

Mounting	Fixture Color	Wiring	Control	Packaging
Mounting	Fixture Color	Wiring	Control	Packaging
MM=Multi-Mount SM=Surface Mount ^{(2),(3)}	BLK=Black	JB=Integrated Junction Box (Standard) C6=6' Cord with no Plug PC6/120=(NEMA L5-15P) 6' Cord with NEMA Plug PC6/208=(NEMA L6-15P) 6' Cord with NEMA Plug PC6/240=(NEMA L6-15P) 6' Cord with NEMA Plug PC6/277=(NEMA L7-15P) 6' Cord with NEMA Plug PC6/347=(NEMA L24-20P) 6' Cord with NEMA Plug PC6/480=(NEMA L8-20P) 6' Cord with NEMA Plug	FO=Fixed Output LB10=LandBurst (0-10V)	U=Unit Pack
Notes				
(2) SM option not approved for flush ceiling installations. (3) Adjustable arm accessory must be ordered with the SM (Surface Mount) option.				

Accessories
Accessories (order separately) ⁽⁵⁾
SHK=Fixture Hook FL-1=Fixture Loop XHB-AA=Adjustable Arm ⁽⁴⁾
Notes
(4) Adjustable arm accessory must be ordered with the SM (Surface Mount) option. (5) Accessories sold separately will be separately analyzed under domestic preference requirements. Consult factory for further information.

Power Quality

Pure power is required to ensure proper function and lifetime of Cooper Lighting Solutions fixtures. Prior to installation, an analysis should be performed to verify site power meets these requirements

- High frequency voltage shall be below -40dB or .01V between 3KHz and 100KHz.
- High frequency current shall be below -50dB or .019A between 3KHz and 100KHz.

If the power does not meet these criteria, waveform correction technology should be used to condition the power. Surge protection alone is not adequate. If you require assistance in checking your power system or designing or implementing solutions, contact Eaton's Electrical Engineering Services and Systems. Find more information at www.cooperlighting.com.

Failure to ensure power quality requirements shall void warranty.

Product Specifications

Construction

- Heavy-duty diecast aluminum housing for added durability and thermal control
- Enclosed fixture design is IP66 rated - suitable for demanding and complex environments

Electrical

- Long-life LED system coupled with electrical driver to deliver optimal performance
- Available in 4000K and 5000K at ≥ 80 CRI
- cULus listed
- Electronic driver is available for 120V-240V and 277V-480V applications
- Control features include standard fixed output or optional 0-10V dimming

Finish

- Standard black polyester powder coat finish painted after fabrication for increased durability and rust inhibition

Optics

- Precision designed optics deliver highly efficient illumination
- Narrow, medium, wide and extrawide distribution ensures superior performance to key areas within an application

Mounting

- XHB multi-mount is suitable for suspension mounting with various mounting options
- 3/4" NPT internal thread with locking set screw
- Optional surface mount, and adjustable arm mount available

Compliance

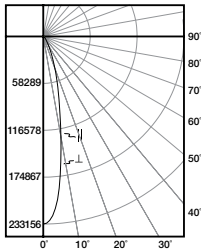
- Luminaires are cULus listed for wet locations -40°C to 65°C ambient environments with 0-10V drivers (max 50C for 85K lumen - see chart)
- IP66 listed
- RoHS compliant
- NEMA 4X
- LED modules comply with IESNA LM-79 and LM-80 standards

Warranty

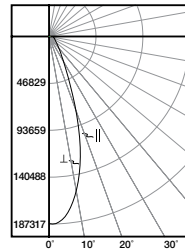
- Five year warranty.

Photometric Data

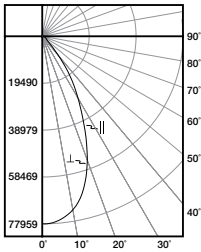
[View IES files](#)



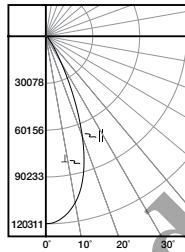
XHB-LD1-60-N-V2-L840-MM-BLK
 Electronic Driver
 Linear LED 4000K
 Spacing criterion: (II) 0.36 x mounting height,
 (⊥) 0.36 x mounting height
 Lumens: 60,116
 Input Watts: 472W
 Efficacy: 127.4 lm/W
 Test Report: XHB-LD1-60-N-V2-L840-MM-BLK.IES



XHB-LD1-60-M-V2-L840-MM-BLK
 Electronic Driver
 Linear LED 4000K
 Spacing criterion: (II) 0.54 x mounting height,
 (⊥) 0.54 x mounting height
 Lumens: 61,573
 Input Watts: 472W
 Efficacy: 130.5 lm/W
 Test Report: XHB-LD1-60-M-V2-L840-MM-BLK.IES



XHB-LD1-60-EW-V2-L840-MM-BLK
 Electronic Driver
 Linear LED 4000K
 Spacing criterion: (II) 0.8 x mounting height,
 (⊥) 0.8 x mounting height
 Lumens: 59,900
 Input Watts: 472W
 Efficacy: 126.9 lm/W
 Test Report: XHB-LD1-60-EW-V2-L840-MM-BLK.IES



XHB-LD1-60-W-V2-L840-MM-BLK
 Electronic Driver
 Linear LED 4000K
 Spacing criterion: (II) 0.7 x mounting height,
 (⊥) 0.7 x mounting height
 Lumens: 61,304
 Input Watts: 472W
 Efficacy: 129.9 lm/W
 Test Report: XHB-LD1-60-W-V2-L840-MM-BLK.IES

Energy and Performance Data

Catalog Number	Delivered Lumens	Watts	Efficacy (lm/W)
XHB-LD1-60-N-V2-L840-MM-BLK	60116.0	472	127
XHB-LD1-60-N-V2-L850-MM-BLK	60961.0	472	129
XHB-LD1-60-M-V2-L840-MM-BLK	61573.0	472	131
XHB-LD1-60-M-V2-L850-MM-BLK	62438.1	472	132
XHB-LD1-60-W-V2-L840-MM-BLK	61304.0	472	130
XHB-LD1-60-W-V2-L850-MM-BLK	62165.0	472	132
XHB-LD1-60-EW-V2-L840-MM-BLK	59900.0	472	127
XHB-LD1-60-EW-V2-L850-MM-BLK	60742.0	472	129
XHB-LD1-85-N-V2-L840-MM-BLK	84992.9	678	125
XHB-LD1-85-N-V2-L850-MM-BLK	86187.0	678	127
XHB-LD1-85-M-V2-L840-MM-BLK	87289.0	678	129
XHB-LD1-85-M-V2-L850-MM-BLK	88516.0	678	131
XHB-LD1-85-W-V2-L840-MM-BLK	87170.0	678	129
XHB-LD1-85-W-V2-L850-MM-BLK	88395.0	678	130
XHB-LD1-85-EW-V2-L840-MM-BLK	85160.9	678	126
XHB-LD1-85-EW-V2-L850-MM-BLK	86358.0	678	127

Lumen Maintenance

XHB-LD1-60

Ambient Temperature	TM-21 Lumen Maintenance (60,000 hours)	Theoretical L70 (Hours)
25°C	> 87.87%	> 170,000
35°C	> 87.42%	> 169,000
45°C	> 86.74%	> 165,000
55°C	> 85.81%	> 152,000
65°C	> 86.24%	> 158,000

XHB-LD1-85

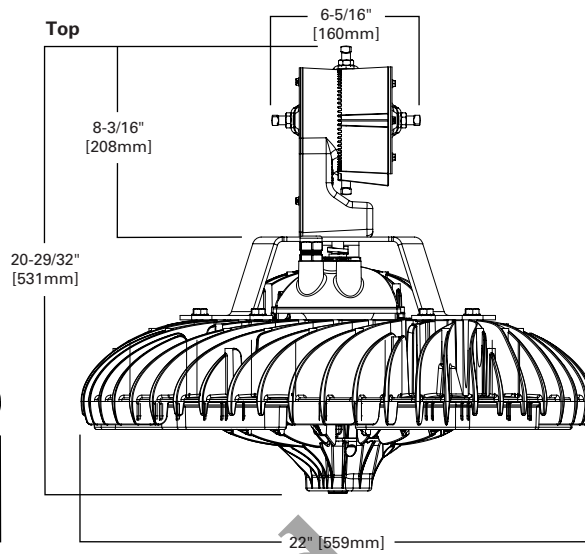
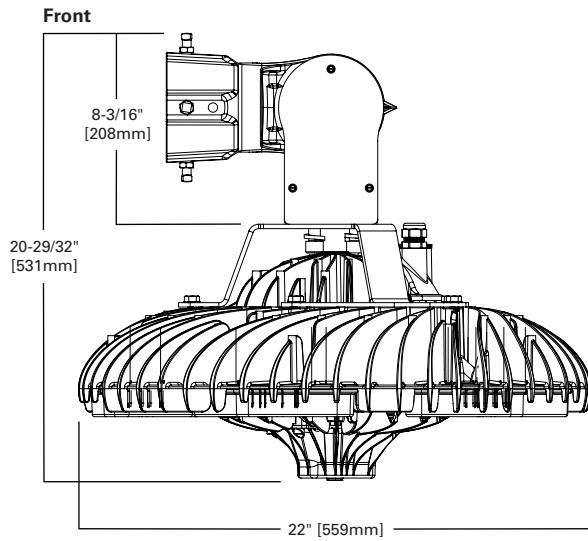
Ambient Temperature	TM-21 Lumen Maintenance (60,000 hours)	Theoretical L70 (Hours)
25°C	> 86.91%	> 168,000
35°C	> 87.50%	> 170,000
45°C	> 86.38%	> 160,000
50°C	> 85.95%	> 154,000

Shipping Data

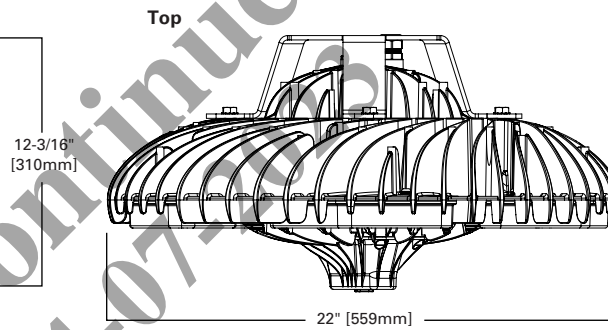
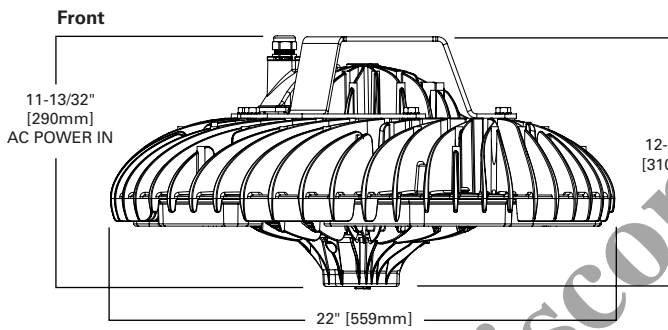
Catalog No.	Wt.
XHB-LD1-60	49 lbs.
XHB-LD1-85	49 lbs.

Mounting Options

Adjustable Mount



Surface Mount



Discontinued
04-07-2022