

DESCRIPTION

The Zuma 1212 is a rugged ADA-compliant recessed mounted step light for use with low voltage or line voltage incandescent lamp sources. The housing is constructed from corrosion-proof injection-molded polycarbonate. Louvered or open face plates are available in injection-molded polycarbonate or die-cast aluminum. All models can be mounted in non-combustible surfaces such as brick, concrete or stone.

Catalog #		Type
Project		
Comments		Date
Prepared by		

SPECIFICATION FEATURES

A ... Material

Recessed mounted housing is constructed from corrosion-proof injection-molded polycarbonate. Housing includes two 1/2" NPS threaded holes for easy through wiring. Face plate is available in corrosion-proof injection-molded poly-carbonate or corrosion-resistant die-cast silicone aluminum.

B ... Finish

Die-cast aluminum face plates are double protected by a chromate conversion undercoating and polyester powdercoat paint finish, surpassing the rigorous demands of the outdoor environment. A variety of standard colors are available. Injection-molded polycarbonate face plates are available in black or white.

C ... Reflector

Specular pebblestone aluminum reflector is standard to provide high lumen output and even illumination.

D ... Gasket

Housing and face plate are sealed with a high temperature silicone o-ring gasket to prevent water intrusion.

E ... Lens

Fixtures that utilize a louvered face plate include a clear tempered glass lens, factory sealed with high temperature adhesive to prevent water intrusion and breakage due to thermal shock. Fixtures that utilize an open face plate include a diffused tempered glass lens.

F ... Hardware

Stainless steel hardware is standard to provide maximum corrosion-resistance.

G ... Socket

INC18: Ceramic socket with 250° C Teflon® coated lead wires and D.C. bayonet base. INC20: Ceramic socket with 250° C Teflon® coated lead wires and D.C. bayonet base.

H ... Electrical

INC18 (12V): Remote 12V transformer required (not included). Available from Lumière as an accessory - see the Accessories & Technical Data section of this catalog for details. INC20 (120V): Operates with 120V line voltage.

I ... Lamp

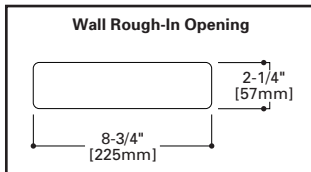
Lamp(s) included as standard.

J ... Labels & Approvals

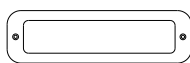
UL and cUL listed, standard wet label. Manufactured to ISO 9001-2000 Quality Systems Standard. IBEW union made.

K ... Warranty

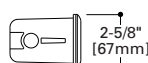
Lumière warrants its fixtures against defects in materials & workmanship for three (3) years. Auxiliary equipment such as transformers, ballasts and lamps carry the original manufacturer's warranty.



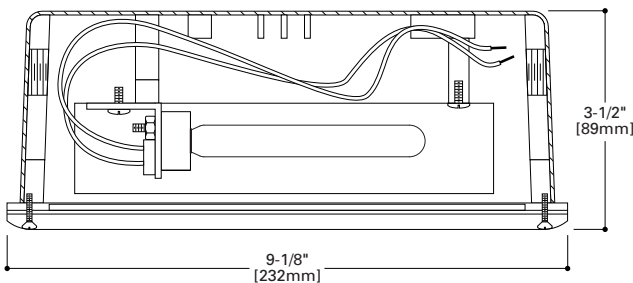
1212-LA & 1212-LP
(Louvered Face Plate)



1212-OA & 1212-OP
(Open Face Plate)



Side View



Top Cutaway (detail)



ZUMA
1212-LA
1212-OA
1212-LP
1212-OP

(2) 18W (max.) S8
Incandescent
Low Voltage

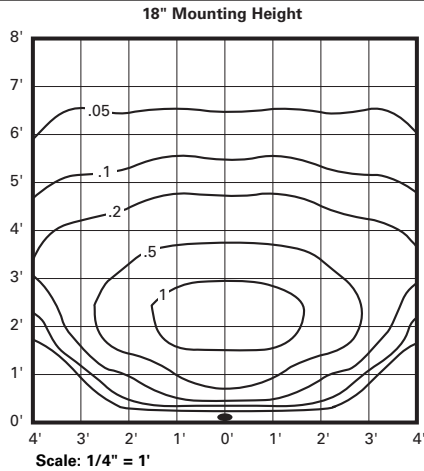
20W (max.) T6.5
Incandescent
Line Voltage

Step Light

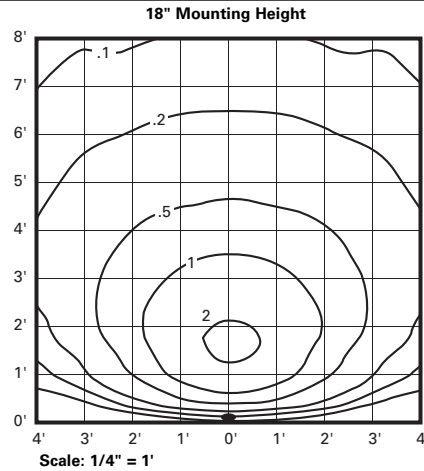
ADA-COMPLIANT

Zuma 1212-LP-INC18 Test No. H45001 Lamp=(2)18S-8 Lumens=264 Zuma 1212-OP-INC18 Test No. H45002 Lamp=(2)18S-8 Lumens=264

ISO Footcandle Plot



ISO Footcandle Plot



LAMP INFORMATION

Lamp	ANSI Code	Watts	Beam Spread	CBCP	°K	Life (hrs.)	Base	Volts
20T6.5	---	20	---	90	---	5000	D.C. bayonet	120
18S-8	1142	18	---	---	---	1500	D.C. bayonet	12

NOTE: Inferior quality lamps may adversely affect the performance of this product. Use only name brand lamps from reputable lamp manufacturers.

NOTES AND FORMULAS

- Beam diameter is to 50% of maximum footcandles, rounded to the nearest half-foot.
- Footcandle values are initial. Apply appropriate light loss factors where necessary.

ORDERING INFORMATION

Series
1212=Polycarbonate Housing, Incandescent Zuma Step Light

Face Plate
LA=Louvered Aluminum Face Plate
OA=Open Aluminum Face Plate
LP=Louvered Polycarbonate Face Plate¹
OP=Open Polycarbonate Face Plate¹

Source
Incandescent (Line Voltage)
INC20=20W Max T6.5 Incandescent, D.C. Bayonet Base
Incandescent (12V remote transformer required-not included)
INC18=18W Max S8 Incandescent, D.C. Bayonet Base

Voltage
Incandescent (Line Voltage)
120=120V
Incandescent (12V remote transformer required-not included)
12=12V

Finish
Painted
BK=Black
BZ=Bronze
CS=City Silver
VE=Verde
WT=White
Polycarbonate
BK=Black
WT=White

- Notes: 1 Black or white finish only.
- Lamp included.
 - See ACCESSORIES & TECHNICAL DATA section of the Lumière catalog for Low Voltage Cable & Transformers.
 - Consult your Cooper Lighting Solutions representative for additional options and finishes.