

DESCRIPTION

The Zuma 1201 series is a rugged ADA-compliant recessed mounted step light for use with a low voltage, T4 halogen lamp (provided). The housing and face plate are die-cast from corrosion-resistant silicone aluminum alloy. Model 1201-LA includes a louvered face plate; model 1201-OA features an open face plate. Both can be mounted in non-combustible surfaces such as brick, concrete or stone.

Catalog #		Type
Project		
Comments		Date
Prepared by		

SPECIFICATION FEATURES

A ... Material

Face plate and recessed mounted housing are corrosion-resistant die-cast silicone aluminum. Housing includes two 1/2" NPS threaded holes for easy through wiring.

B ... Finish

Fixtures are double protected by a chromate conversion undercoating and polyester powdercoat paint finish, surpassing the rigorous demands of the outdoor environment. A variety of standard colors are available.

C ... Reflector

Specular pebblestone aluminum reflector is standard to provide high lumen output and even illumination.

D ... Gasket

Housing and face plate are sealed with a high temperature silicone o-ring gasket to prevent water intrusion.

E ... Lens

Diffused tempered glass lens, factory sealed with high temperature adhesive to prevent water intrusion and breakage due to thermal shock.

F ... Hardware

Stainless steel hardware is standard to provide maximum corrosion-resistance.

G ... Socket

Ceramic socket with 250° C Teflon® coated lead wires and GY6.35 bi-pin base.

H ... Electrical

Remote 12V transformer required (not included). Available from Lumière as an accessory - see the Accessories & Technical Data section of this catalog for details.

I ... Lamp

Included as standard. Optional diode connection reduces voltage to the lamp and extends lamp life up to 12,000 hours (specify option -CL).

J ... Labels & Approvals

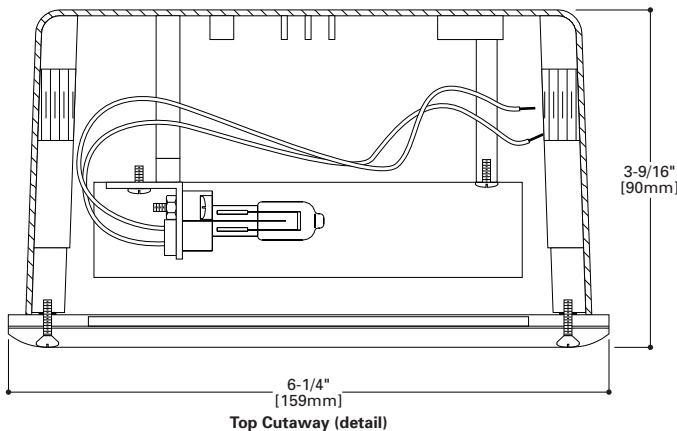
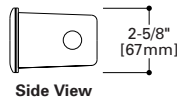
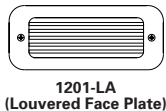
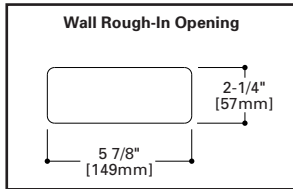
UL and cUL listed, standard wet label. Manufactured to ISO 9001-2000 Quality Systems Standard. IBEW union made.



ZUMA
1201-LA
1201-OA

35W (max.) T4
Halogen
Low Voltage
Step Light

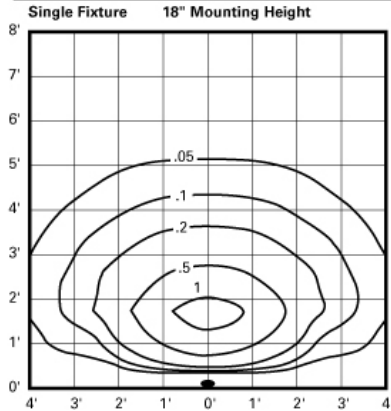
ADA-COMPLIANT



Discontinued
01-13-2022

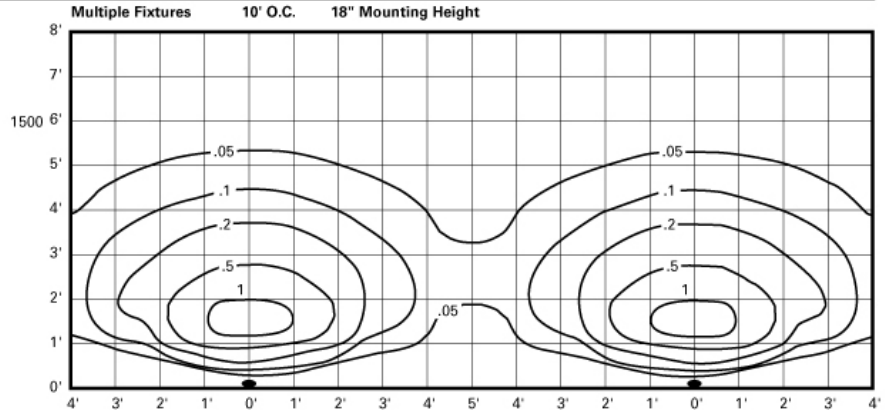
Zuma 1201-LA Test No. H45006 Lamp=20T4Q/UVS/CL/AX Lumens=330

ISO Footcandle Plot



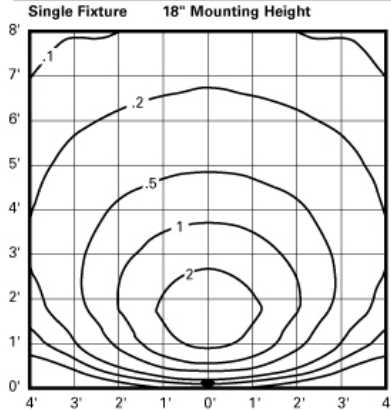
Scale: 1/4" = 1'

Lamp Wattage Multiplier
35W x 1.82



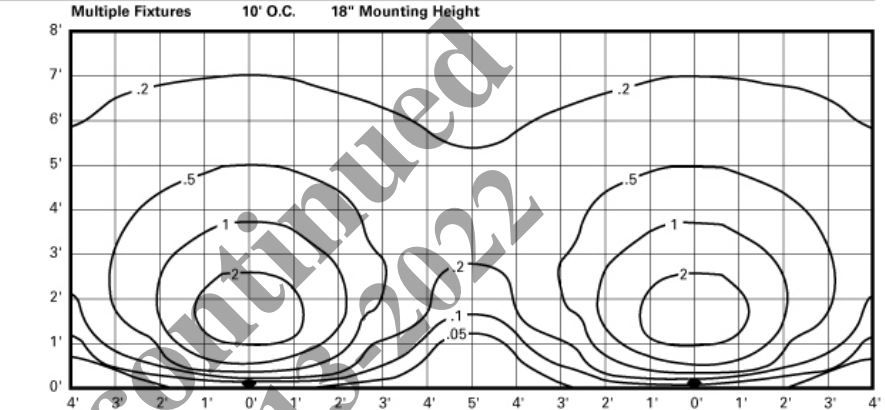
Zuma 1201-OA Test No. H45005 Lamp=20T4Q/UVS/CL/AX Lumens=330

ISO Footcandle Plot



Scale: 1/4" = 1'

Lamp Wattage Multiplier
35W x 1.82



LAMP INFORMATION

Lamp	ANSI Code	Watts	Beam Spread	Lumens	°K	Life (hrs.)	Base	Volts
Q20T4	---	20	---	330	2850	2000	GY6.35 bi-pin	12
Q35T4	---	35	---	600	2900	2000	GY6.35 bi-pin	12

NOTE: Inferior quality lamps may adversely affect the performance of this product. Use only name brand lamps from reputable lamp manufacturers.

NOTES AND FORMULAS

- Beam diameter is to 50% of maximum footcandles, rounded to the nearest half-foot.
- Footcandle values are initial. Apply appropriate light loss factors where necessary.

ORDERING INFORMATION

Series 1201: Aluminum Alloy Zuma Step Light	Face Plate LA: Louvered Aluminum Face Plate OA: Open Aluminum Face Plate	Source <u>Halogen</u> 35T4: 35W Max Halogen T4, GY6.35 Base Voltage 12: 12V	Finish <u>Painted</u> BK: Black BZ: Bronze CS: City Silver VE: Verde WT: White	Options MB: Mounting Brackets for Metal or Concrete	Accessories <u>Lamps</u> HGT420: 20W T4 GY6.35 Base Halogen, 12V
---	---	---	---	---	---

- Notes: *
- Lamp included.
 - 12V remote transformer required - not included.
 - See ACCESSORIES & TECHNICAL DATA section of the Lumière catalog for Low Voltage Cable & Transformers.
 - Consult your Cooper Lighting Solutions representative for additional options and finishes.