

DESCRIPTION

A series of understated, balanced luminaires. The Stasis family of luminaires feature die-cast and extruded bodies with elegant free flowing lines. Ideal for accent and display lighting applications. This Stasis LED Large luminaire is perfect for those applications where performance is required from a discreet source.

Catalog #		Type
Project		
Comments		Date
Prepared by		

SPECIFICATION FEATURES

Quick-Lock Adapter*

Attaches electrically and mechanically anywhere along track. Includes discreet locking tab that locks luminaire on track and allows for easy removal and repositioning. Two position conductor allows use in single circuit and either circuit of two circuit track.

Lockable Aiming

Luminaire tilt and rotation can be locked in place easily with the included 0.5mm allen wrench.

Switch

On/off switch allows power to be turned off during installation on individual luminaires.

Optics

Optical distributions are field changeable and designed with patented IMS optics. Ships with Solite lens installed.

Driver Housing

Die-cast and extruded aluminum housing incorporates the lamp control circuit.

Heat Sink

Aluminum die-cast heat sink provides exceptional thermal management to yield 70% lumen maintenance after 50,000 hours of operation.

Luminaire Arm

Arm allows the housing tilt to adjust +/-90°. It also pivots +/-90° around the ballast housing. This enables the ballast housing to remain static on the track creating a clean look, while providing full aiming capabilities. The arm employs graduations every 15° for precise and repeatable tilt aiming. Indicator mark on the bottom ensures perfect luminaire housing alignment with track.

LED Light Engine

Equipped with (16) 3 Watt white LEDs. Factory configurable optics allow for 3 optical distributions. High CRI of 85 with excellent color consistency of +/-50°K color temperature.

Labels

UL/c-UL Listed for use with Halo Architectural Power-Trac and Lazer Track. UL/c-UL classified for use with Juno¹, Lightolier² and Global TEK/HTEK³ Track. Options to meet Trade Agreements Act requirements.

Warranty

Subject to all of the limitations set forth in Cooper Lighting's Terms and Conditions of Sale, for HALO TRACK LED products, the limited warranty set forth shall have a period of 5 years from the date of shipment of products.



L805LRG Stasis

LED

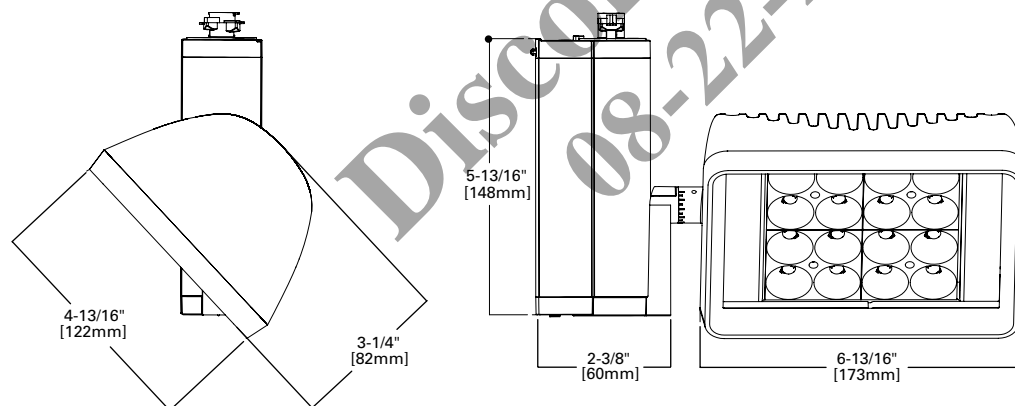
Wall Wash
High Output



3000K	CBCP
Spot 15°	27741
Narrow Flood 25°	12898
Flood 37°	5669
4000K Multiplier= 1.25	

Lighting Data	
3000K Spot	
Lumens:	2399
Lumens per watt:	64.1

Energy Data: High Output	
Input Power:	38W
Power Factor:	>0.90
Input Current:	0.4 Amps



ORDERING INFORMATION

SAMPLE NUMBER: L805LRGWW830AHHO (Halo or Lazer Track connector, Wall Wash, 85 CRI, 3000K, Aluminum Haze Finish, High Output 38W)

Domestic Preferences ⁴	Track	LED	Size	Beam	CRI	CCT	Finish	Voltage	Wattage
[Blank]=Standard TAA=Trade Agreements Act	L=Halo and Lazer Power-Trac LJ=Juno [®] Track ¹ LL=Lightolier [®] Track ² L2G=Global [®] TEK or HTEK ³	805=805	LRG=Large	WW=Wall Wash	8=85	30=3000K 40=4000K	AH=Aluminum Haze MB=Black P=White	[Blank]=120V 277=277 VAC (Only with HTEK)	[Blank]=18W HO=High Output 38W

Accessories (order separately)⁵

L850=Solite Lens Kit
L8SP=15° Spot Optic Kit
L8NF=25° Narrow Flood Optic Kit
L8FL=37° Flood Optic Kit
L827=2700K Lens Kit

NOTES: 1. Juno[®]T single circuit and 2-circuit track contact. Juno[®] is a registered trademark of Juno[®] Lighting. 2. Lightolier[®] Lyfespan 6000 single circuit and 2 circuit track contact. Lightolier[®] is a registered trademark of Philips Lighting. 3. Global[®] is a registered trademark of Nordic Aluminum. DesignLights[™] Consortium Qualified. Refer to www.designlights.org Qualified Products List under Family Models for details. 4. Only product configurations with this designated prefix are built to be compliant with the Trade Agreements Act of 1979 (TAA). Please refer to DOMESTIC_PREFERENCES website for more information. Components shipped separately may be separately analyzed under domestic preference requirements. 5. Accessories sold separately will be separately analyzed under domestic preference requirements. Consult factory for further information.

PHOTOMETRICS

Wall Wash

Single Fixture 3' From Wall
Distance From Fixture Along Wall

Multiple Fixtures 3' From Wall
Spacing Between Fixtures

High Output
Wall Wash
Lumens: 2,052
LPW: 55.5

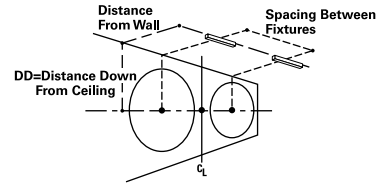
DD	0	1	2	3	4	5
1	93	67	35	12	2	1
2	83	57	32	14	3	2
3	53	39	24	12	3	2
4	32	25	17	10	4	2
5	19	16	12	8	4	3
6	12	10	8	6	3	3
7	7	7	6	5	3	2
8	5	5	4	4	4	2
9	4	3	3	3	2	2
10	3	3	2	2	2	2

DD	4			5			6		
1	100	72	100	95	42	95	94	23	94
2	93	65	93	87	44	87	85	28	85
3	64	49	64	57	36	57	55	25	55
4	43	36	43	37	28	37	34	21	34
5	29	26	29	24	21	24	22	17	22
6	21	19	21	17	15	17	15	13	15
7	15	14	15	12	12	12	11	10	11
8	11	11	11	9	9	9	8	8	8
9	9	9	9	7	7	7	6	6	6
10	7	7	7	6	6	6	5	5	5

Notes

- Illuminance values for multiple fixtures are based upon the center two units of a four unit array. Footcandle values are center line of fixtures and centered between fixtures. 1 footcandle = 10.76 lux. 1 foot(′) = 304.8mm.
- Illuminance values are cosine corrected initial value with no contribution from inter reflections from other room surfaces. Total illumination may increase from contributions from other surfaces.
- Changing fixture spacing will affect illuminance level.

$$\frac{\text{Existing Spacing}}{\text{New Spacing}} \times \text{Average Table Fc Level}$$
- 39W Multiplier = .5



Discontinued
08-22-2022