

DESCRIPTION

A lampholder designed for use with two energy efficient 40W, 50W or 55W twin tube compact fluorescent lamps. For use with Halo and Lazer-by-Halo track systems. Ideal for wallwashing in retail stores, public areas and other commercial spaces. Uses same lamps as many recessed 2' x 2' fixtures to simplify lamp inventory.

Catalog #		Type
Project		
Comments		Date
Prepared by		

SPECIFICATION FEATURES

A...Electrical Quick Lock Adapter

Trac plug attaches anywhere along Halo Power-Trac. Two position conductor allows use in single circuit and either circuit of two circuit track. Visual polarity line assures proper grounding.

B...Mechanical Quick Lock Adapter

Second adapter provides additional fixture support.

C...Yoke

Pre-tensioned adjustment mechanism allows lampholder to pivot vertically from 0° to

±80°. Unobtrusive angle indicators are provided to enable consistent aiming.

D...Housing

Solid aluminum extrusion with die-cast aluminum end caps. No exposed rivets or screw heads. Standard electronic ballast provides energy efficiency, light weight and silent operation.

F...Reflector

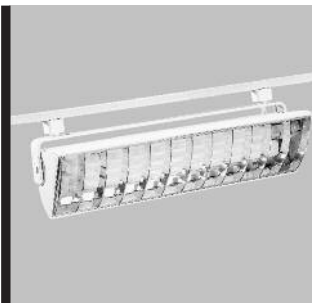
Specular reflector provides precise optical control and low iridescence.

G...Louver (Optional)

One piece injection molded louvers with unique curved profile available in Low Iridescent Specular Clear, White or Black. The parabolic louvers provide optimal brightness control and improve aesthetic appeal. Louver and reflector form a continuous light path with no gaps or obstructions.

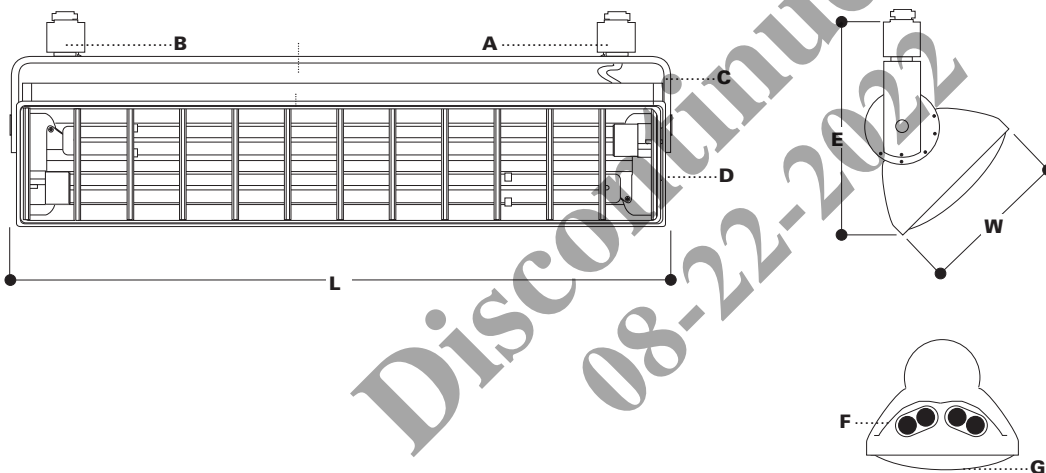
Labels

UL listed and CSA certified for use with Halo and Lazer-by-Halo track and track systems.



L3240E
L3250E
L3255E

PARA TRAC
COMPACT FLUORESCENT
WALL WASHERS
Power-Trac®



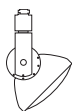
Discontinued 08-22-2022

ORDERING INFORMATION

SAMPLE NUMBER: L3240EP-LVR3240SC

Complete unit consists of Lampholder and Finish.

Lampholder	Finish
L3240E=40W L3250E=50W L3255E=55W	P=White MB=Black



L3240E

For use with:
Two 40W F40BX
Compact Fluorescent
L =24 15/16" [635mm]
W=6" [152mm]
E =8 1/16" [205mm]



L3250E

For use with:
Two 50W F40BX
Compact Fluorescent
L =24 15/16" [635mm]
W=6" [152mm]
E =8 1/16" [205mm]



L3240E

For use with:
Two 55W F40BX
Compact Fluorescent
L =24 15/16" [635mm]
W=6" [152mm]
E =8 1/16" [205mm]

Energy Data

40W Twin Tube 4-pin
Ballast: Electronic
120V Input Watts: 72W
Line Amps: 0.55A
Power Factor: >0.98
THD: <10%
Min. Starting Temp: 50°F (10°C)
Sound Rating: A

50W Twin Tube 4-pin
Ballast: Electronic
120V Input Watts: 106W
Line Amps: 0.91A
Power Factor: >0.98
THD: <15%
Min. Starting Temp: 50°F (10°C)
Sound Rating: A

55W Twin Tube 4-pin
Ballast: Electronic
120V Input Watts: 110W
Line Amps: 0.95A
Power Factor: >0.97
THD: <20%
Min. Starting Temp: 50°F (10°C)
Sound Rating: A

NOTES:
For additional options please consult factory.

Test No. H20048

L3240E-LVR3240SC
Specular Louver
 Lamp=(2) F40TT
 Lumens=3,150
 45° Aiming Angle

Single Fixture 3' From Wall

DD	Distance From Fixture Along Wall					
	1'	2'	3'	4'	5'	6'
1	142	115	67	33	16	7
2	117	99	64	35	19	10
3	73	65	47	30	18	10
4	44	41	32	22	15	9
5	27	25	21	16	11	8
6	16	16	14	11	9	6
7	11	10	9	8	6	5
8	7	7	7	6	5	4
9	5	5	5	4	4	3
10	4	4	4	3	3	2

Multiple Fixtures 3' Distance From Wall

DD	Spacing Between Fixtures											
	3'			4'			5'			6'		
1	212	203	212	174	141	174	157	97	157	149	67	149
2	192	190	192	155	139	155	136	100	136	127	71	127
3	139	140	139	111	106	111	95	81	95	85	62	85
4	95	96	95	76	75	76	64	60	64	56	48	56
5	64	66	64	52	52	52	43	42	43	38	35	38
6	43	44	43	36	36	36	30	30	30	26	25	26
7	30	31	30	26	26	26	21	22	21	19	19	19
8	22	22	22	19	19	19	16	16	16	14	14	14
9	16	17	16	14	15	14	12	13	12	11	11	11
10	12	13	12	11	11	11	10	10	10	9	9	9

Single Fixture 4' From Wall

DD	Distance From Fixture Along Wall					
	1'	2'	3'	4'	5'	6'
1	80	70	50	31	18	10
2	74	67	50	33	20	12
3	60	54	42	30	19	12
4	41	39	32	24	17	11
5	28	27	23	18	14	10
6	20	19	17	14	11	8
7	14	13	12	10	8	7
8	9	9	8	7	6	5
9	7	7	6	5	5	4
10	5	5	5	4	4	3

Multiple Fixtures 4' Distance From Wall

DD	Spacing Between Fixtures											
	4'			5'			6'			7'		
1	117	111	117	100	83	100	91	63	91	86	47	86
2	116	114	116	98	89	98	88	69	88	82	52	82
3	101	100	101	85	80	85	75	64	75	69	50	69
4	78	79	78	66	64	66	57	52	57	52	43	52
5	59	60	59	49	49	49	43	41	43	38	34	38
6	44	45	44	37	37	37	32	32	32	28	27	28
7	33	33	33	28	28	28	24	24	24	21	21	21
8	24	25	24	21	21	21	18	18	18	16	16	16
9	18	19	18	16	17	16	14	14	14	13	13	13
10	14	15	14	13	13	13	11	12	11	10	10	10

Test No. H20050

L3240E-LVR3240P
White Louver
 Lamp=(2) F40TT
 Lumens=3,150
 45° Aiming Angle

Single Fixture 3' From Wall

DD	Distance From Fixture Along Wall					
	1'	2'	3'	4'	5'	6'
1	144	111	61	29	13	6
2	120	97	59	31	16	8
3	76	65	45	27	15	9
4	46	41	31	21	13	8
5	28	26	20	15	10	7
6	17	16	13	11	8	5
7	11	10	9	8	6	4
8	8	7	7	5	4	3
9	5	5	5	4	3	2
10	4	4	4	3	2	2

Multiple Fixtures 3' Distance From Wall

DD	Spacing Between Fixtures											
	3'			4'			5'			6'		
1	204	187	204	171	127	171	156	86	156	150	58	150
2	186	177	186	152	127	152	136	90	136	128	63	128
3	134	133	134	108	99	108	94	74	94	86	56	86
4	92	92	92	73	71	73	62	55	62	56	43	56
5	62	63	62	50	49	50	42	40	42	37	32	37
6	42	43	42	34	34	34	29	28	29	25	24	25
7	29	30	29	25	25	25	21	21	21	18	18	18
8	21	22	21	18	18	18	16	16	16	13	13	13
9	16	16	16	14	14	14	12	12	12	10	10	10
10	12	12	12	10	11	10	9	9	9	8	8	8

Single Fixture 4' From Wall

DD	Distance From Fixture Along Wall					
	1'	2'	3'	4'	5'	6'
1	79	68	46	27	15	8
2	76	67	47	30	17	10
3	61	54	41	27	17	10
4	42	39	31	22	15	10
5	29	27	23	17	12	9
6	20	19	16	13	10	7
7	14	13	12	9	8	6
8	9	9	8	7	6	5
9	7	7	6	5	5	4
10	5	5	5	4	4	3

Multiple Fixtures 4' Distance From Wall

DD	Spacing Between Fixtures											
	4'			5'			6'			7'		
1	111	101	111	97	75	97	89	56	89	85	41	85
2	112	106	112	96	82	96	88	62	88	83	46	83
3	97	94	97	83	74	83	74	58	74	69	45	69
4	76	75	76	64	60	64	56	48	56	51	39	51
5	57	57	57	48	46	48	42	38	41	37	32	37
6	42	42	42	36	35	36	31	30	31	28	25	28
7	32	32	32	27	27	27	23	23	23	21	19	21
8	23	24	23	20	20	20	18	17	18	16	15	16
9	18	18	18	16	16	16	14	14	14	12	12	12
10	14	14	14	12	13	12	11	11	11	10	10	10

Test No. H20049

L3240E-LVR3240MB
Black Louver
 Lamp=(2) F40TT
 Lumens=3,150
 45° Aiming Angle

Single Fixture 3' From Wall

DD	Distance From Fixture Along Wall					
	1'	2'	3'	4'	5'	6'
1	119	88	45	19	8	3
2	102	81	47	23	11	5
3	65	55	36	21	11	6
4	39	34	25	16	10	6
5	24	21	17	12	8	5
6	14	13	11	8	6	4
7	9	9	7	6	5	3
8	6	6	5	4	3	2
9	4	4	4	3	2	2
10	3	3	3	2	2	1

Multiple Fixtures 3' Distance From Wall

DD	Spacing Between Fixtures											
	3'			4'			5'			6'		
1	158	139	158	134	92	134	124	59	124	121	38	121
2	150	140	150	124	98	124	112	67	112	106	46	106
3	109	107	109	88	78	88	77	57	77	71	42	71
4	74	74	74	59	56	59	50	43	50	45	33	45
5	50	51	50	40	39	40	34	31	34	30	25	30
6	34	34	34	27	27	27	23	22	23	20	18	20
7	23	24	23	19	20	19	16	16	16	14	13	14
8	17	17	17	14	15	14	12	12	12	11	10	11
9	13	13	13	11	11	11	9	9	9	8	8	8
10	10	10	10	8	8	8	7	7	7	6	6	6

Single Fixture 4' From Wall

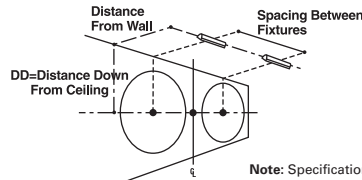
DD	Distance From Fixture Along Wall					
	1'	2'	3'	4'	5'	6'
1	65	54	35	19	10	5
2	63	55	38	22	12	7
3	52	46	33	22	13	7
4	37	33	26	18	12	7
5	25	23	19	14	10	7
6	17	16	14	11	8	6
7	12	11	10	8	6	5
8	8	8	7	6	5	4
9	6	5	5	4	4	3
10	4	4	4	3	3	2

Multiple Fixtures 4' Distance From Wall

DD	Spacing Between Fixtures											
	4'			5'			6'			7'		
1	85	74	85	75	54	75	70	38	70	67	27	67
2	89	82	89	77	62	77	70	46	70	67	33	67
3	79	75	79	67	58	67	60	45	60	57	34	57
4	62	60	62	52	47	52	46	38	46	42	30	42
5	46	46	46	39	37	39	34	30	34	30	25	30
6	35	35	35	29	28	29	25	23	25	22	20	22
7	26	26	26	22	21	22	19	18	19	17	15	17
8	19	19	19	16	16	16	14	14	14	12	12	12
9	14	15	14	12	13	12	11	11	11	9	9	9
10	11	12	11	10	10	10	9	9	9	8	7	8

Notes:

- Illuminance values for multiple fixtures are based upon the center two units of a four unit array. Footcandle values are centerline of fixtures and centered between fixtures. 1 footcandle = 10.76 lux. 1 foot(°) = 304.8mm.
- Footcandle Multipliers for 50W (4,000 lumens) = 1.27, for 55W (4,800 lumens) = 1.52
- Illuminance values are cosine corrected initial values with no contribution from inter reflections from other room surfaces. Total illumination may increase from contributions from other surfaces.
- Changing fixture spacing will affect illuminance level.
 $\frac{\text{Existing Spacing}}{\text{New Spacing}} \times \text{Average Table Fc Level}$



Note: Specifications and Dimensions subject to change without notice.