

Fail-Safe

DESCRIPTION

Fail-Safe FLL is designed to provide full-spectrum, crisp, white light for illumination at lower mounting heights. Choose from warm white 3000K or cool white 5600K, with 70% lumen maintenance at 50,000 hours. Mounting flexibility includes pendant, wall, ceiling, and stanchion. UL/cUL listed for wet locations, NEMA 4X, and IP66 rated.

Catalog #		Type
Project		
Comments		Date
Prepared by		

SPECIFICATION FEATURES

Construction

Fixture housing is die-cast aluminum. Housing sealed with silicone gasket to ensure appropriate fit. Additional extruded aluminum heat sink / fins for cool-running operation in a multitude of ambient environments.

Optics

High-brightness LED arrays mounted on metal core circuit boards, with heat and impact resistant tempered clear glass for protection.

Listing

UL/cUL listed for wet locations. IP66 rated, NEMA 4X.

Electrical

Constant current regulated power supply, 90VAC – 264VAC, 277VAC, 50/60Hz. Active power factor correction > 0.9, THD < 20%, low inrush current < 20 amps, EMC compliant to 47CFR, Part 2, Part 15.

Mounting

Several mounting methods include: rigid pendant, wall, ceiling and stanchion.

Finish

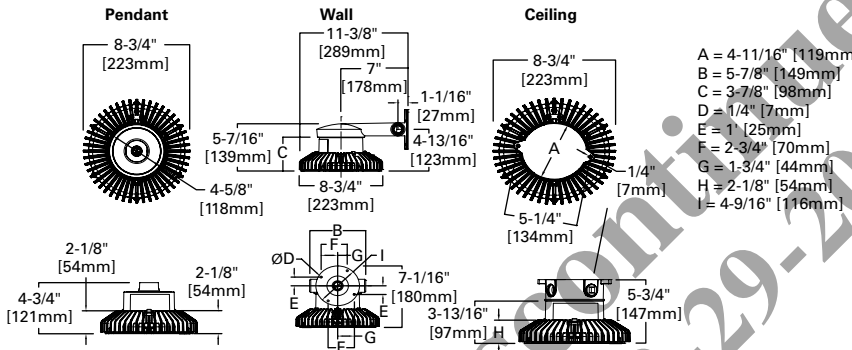
Housing and adapter epoxy powder coat paint. Extrusion is black anodize finish.



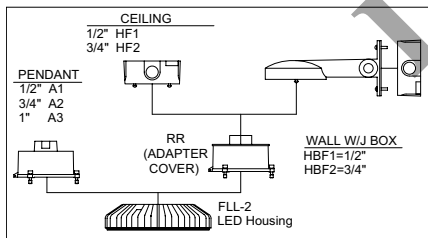
FLL

Fail-Safe LED Low Bay

UL Listed - Wet Location
IP66 Rated
NEMA 4X Rated



MOUNTING



ORDERING EXAMPLES

3/4" Rigid Pendant	Ceiling	Wall
FLL-2-30-A2-UNV	FLL-2-56-HF1-UNV	FLL-2-56-HBF1-UNV

LUMEN OUTPUT TABLE

Catalog Number	Lumens
FLL-2	1633

ORDERING INFORMATION

SAMPLE NUMBER: FLL-2-56-UNV-DL

Product Family	Number of LEDs	Color Temperature	Mounting Style	Voltage	Options	Accessories
FLL						
FLL=Fail-Safe Low Bay LED	2=1633 Nominal Lumens 30=3000K 56=5600K	A1=1/2" Rigid Pendant Mount A2=3/4" Rigid Pendant Mount A3=1" Rigid Pendant Mount HJ4=1-1/4" Stanchion Mount HBF1=Wall Mount w/1/2" J-Box HBF2=Wall Mount w/3/4" J-Box HF1=Ceiling Mount 1/2" J-Box HF2=Ceiling Mount 3/4" J-Box HR=Adapter Cover (for Retrofit) HT=Wall Mount 1/2" or 3/4"		UNV=90-264VAC, 277VAC DL=Diffuse Lens TL=Teflon Coating on Lens HA=High Ambient (55 °C)		PHC/120=Photocell, 120V, field installed PHC/277=Photocell, 277V, field installed

*Contact presale technical support for hazardous location offering.

WEIGHTS

Luminaire and Mounting Accessories	Weight (Lbs.)
Pendant	5.7
Ceiling	6.8
Wall	7.9

INPUT WATTS

Catalog Number	Input Watts
FLL-2	22