

DESCRIPTION

Corelite's Stellar 6" 2T5HO surface direct fluorescent luminaire produces energy efficient ambient illumination. The rugged painted aluminum baffle assembly delivers high vertical footcandles ideal for stacks and room perimeters. Stellar may be mounted individually or continuously with 4', 8' and 12' modular sections. Surface Stellar is suited for applications with low ceilings, which require wide lateral light distributions such as library stacks, labs and corridors.

Catalog #		Type	
Project		Date	
Comments			
Prepared by			

SPECIFICATION FEATURES

A ... Construction

Die-formed all aluminum baffle assembly (1.5" blade spacing) mechanically attached to a corrosion resistant formed steel ballast channel. Perforated siderail sections are 23% open with 0.0625" stagger hole spacing. Standard 4'-0", 8'-0", and 12'-0" fixture lengths combine for continuous rows.

B ... End Plates

Laser cut 14-gauge cold rolled steel, mechanically attached without exposed fasteners.

C ... Electrical

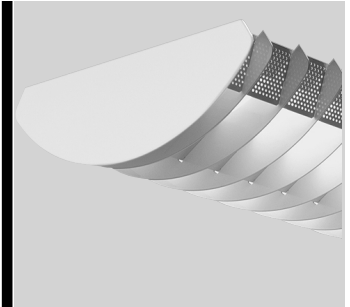
T5/T5HO fixtures are pre-wired with quick wire connectors and use UL listed Class P, T5/T5HO program rapid start universal voltage electronic ballasts, power factor of 97% with less than 10% THD. Fixtures and electrical components certified to UL and CUL standards.

D ... Finish

Fixture housings are standard white using electrostatically applied polyester powder coat paint. Consult factory for custom finishes.

Mounting

Crossbar cover supports the fixture at the power mount and connects to 4" octagonal junction box, by others. All other mounts interface to 1/4"-20 studs by others, protruding from the ceiling. The first suspension point is the length of the fixture less 2-3/8", all other suspension points are 4', 8' or 12' on-center. See installation instructions.

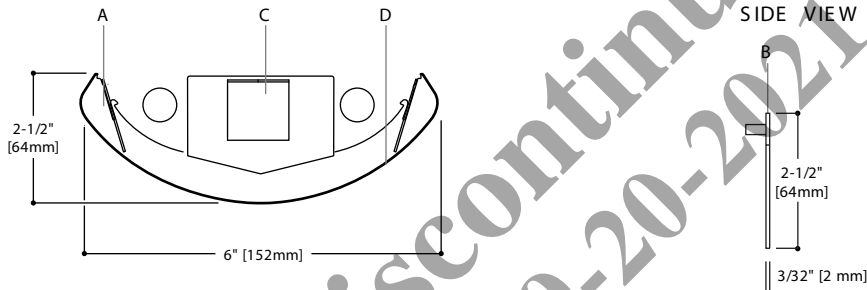


Stellar 6"

2T5
2T5HO

Surface
Full Direct

Light Distribution
Direct - 100%



MODULES AND DIMENSIONS*

48" [1219mm]

96" [2438mm]

144" [3658mm]

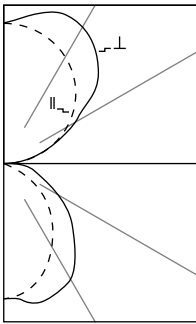
*Dimensions do not include end plates.

ORDERING INFORMATION

Sample Number: S1-WB-2T5-1C-UNV-SU-JB-8-DL100

Series S1- Stellar 6" Surface (2T5)	Number of Lamps 2- 2 Lamps	Number of Circuits ¹ 1- 1 Circuit 2- 2 Circuits	Wiring ¹ B- Battery Pack C- Standard Circuit D- Dimming E- Emergency T- Nightlight Y- Daylight	Voltage ¹ 120- 120V 277- 277V 347- 347V UNV- Universal (120V-277V)	Run Length Individually Mounted Luminaires may be 4', 8', or 12' in length Continuously Mounted Standard row configurations over 12' consist of 8' and 12' sections	Options DL100- 100% Downlight Kit DL70- 70% Downlight Kit
Optics Up W- White	Lamp Type N5- T5 Normal Output T5- T5 High Output			Suspension SU-JB- Surface Mount		
Optics Down B- Baffle						

Notes: 1 Not all options available. Please consult your Cooper Lighting Solutions Representative for availability.



SB-WB-2T5
(2) FP54/841/HO
4500 Lumens

Efficiency 88.8%

Test Report
#LS116022

Coefficients of Utilization

rc	Effective floor cavity reflectance																																						
	80%				70%				50%				30%				10%				0%																		
rw	70	50	30	10	70	50	30	10	50	30	10	50	30	10	50	30	10	50	30	10	50	30	10	50	30	10	50	30	10	50	30	10	50	30	10	50	30	10	
RCR	0	93	93	93	93	85	85	85	85	70	70	70	56	56	56	43	43	43	37	37	37	31	31	31	27	27	27	23	23	23	20	20	20	17	17	17	15	15	15
	1	85	81	78	75	78	74	72	68	61	59	57	49	48	47	38	37	37	31	31	31	27	27	27	23	23	23	20	20	20	17	17	17	15	15	15	13	13	13
	2	78	71	66	61	71	65	61	57	54	51	48	44	41	39	34	32	31	27	27	27	23	23	23	20	20	20	17	17	17	15	15	15	13	13	13	11	11	11
	3	71	63	57	52	65	58	52	48	48	44	41	39	36	34	30	29	27	23	23	23	20	20	20	17	17	17	15	15	15	13	13	13	11	11	11	9	9	9
	4	65	56	49	44	59	51	46	41	43	38	35	35	32	29	27	25	23	20	20	20	17	17	17	15	15	15	13	13	13	11	11	11	9	9	9	7	7	7
	5	60	49	42	37	54	46	39	35	38	33	30	31	27	25	24	22	20	17	17	17	15	15	15	13	13	13	11	11	11	9	9	9	7	7	7	5	5	5
	6	55	44	37	32	50	41	34	30	34	29	26	28	24	22	22	19	18	15	15	15	13	13	13	11	11	11	9	9	9	7	7	7	5	5	5	3	3	3
	7	50	40	33	28	46	37	30	26	31	26	22	25	22	19	20	17	15	13	13	13	11	11	11	9	9	9	7	7	7	5	5	5	3	3	3	1	1	1
	8	47	36	29	24	42	33	27	23	28	23	20	23	19	16	18	15	13	11	11	11	9	9	9	7	7	7	5	5	5	3	3	3	1	1	1	0	0	0
	9	43	32	26	21	39	30	24	20	25	20	17	20	17	14	16	14	12	10	10	10	8	8	8	6	6	6	4	4	4	2	2	2	0	0	0	0	0	0
	10	40	29	23	19	36	27	21	17	23	18	15	19	15	13	15	12	10	09	09	09	0	0	0	0	0	0	0	0	0	0	0	0	0	0	0	0	0	0

Candela

Angle	Along II	45°	Across ⊥
0	1198	1198	1198
5	1194	1203	1205
15	1094	1209	1284
25	949	1129	1228
35	775	978	1110
45	581	796	878
55	381	564	681
65	192	365	466
75	94	214	300
85	18	127	215
90	0	98	172
95	63	132	182
105	285	323	297
115	516	630	548
125	726	940	894
135	903	1146	1204
145	1051	1295	1360
155	1162	1344	1443
165	1231	1310	1397
175	1256	1263	1295
180	1262	1262	1262

Zonal Lumen Summary

Zone	Lumens	%Lamp	%Fixture
0-30	965	10.72	12.08
0-40	1566	17.41	19.61
0-60	2646	29.41	33.12
0-90	3364	37.39	42.10
40-90	1797	19.98	22.50
60-90	718	7.98	8.99
90-180	4626	51.41	57.90
0-180	7991	88.80	100.00

Luminance Data

Angle in Deg	0-Deg cd/s/m	45-Deg cd/s/m	90-Deg cd/s/m
45	3932	5175	5494
55	3175	4344	4817
65	2172	3439	3822
75	1741	2573	2901
85	1014	2004	2507

COMMON CIRCUIT CONFIGURATIONS FOR TWO LAMP SUSPENDED FIXTURE

2C=Two circuit luminaire

2E=Two circuit luminaire with emergency circuit

1B=Single circuit luminaire with battery pack

/1/ =Circuit 1

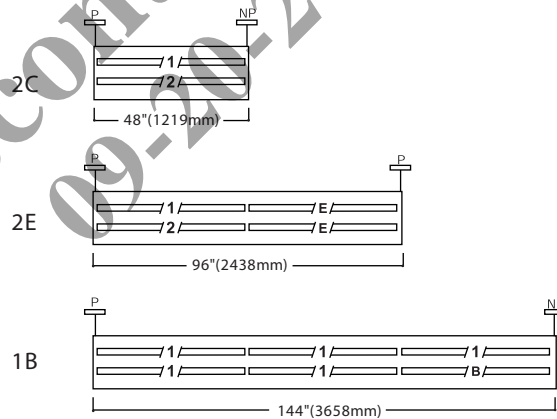
/2/ =Circuit 2

/E/ =Emergency Circuit

/B/ =Battery Circuit

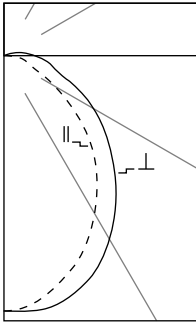
=Power Mount

=Non-Power Mount



STANDARD ROW CONFIGURATIONS

FIXTURE LENGTH	4'	8'	12'	16'	20'	24'	28'	32'	36'	40'	44'	48'	52'	56'	60'	64'	68'	72'	76'	80'	84'	88'	92'	96'	100'	104'	108'		
4'	1																												
8'		1		2	1		2	1		2	1		2	1		2	1		2	1		2	1		2	1		2	1
12'			1		1	2	1	2	3	2	3	4	3	4	5	4	5	6	5	6	7	6	7	8	7	8	9		



SB-WB-2T5
DL100
100% Downlight Kit
(2) FP54/841/HO
4500 Lumens
Efficiency 72.6%
Test Report
#LS116024

Coefficients of Utilization

rc	Effective floor cavity reflectance								20%												
	80%				70%				50%				30%				10%				0%
rw	70	50	30	10	70	50	30	10	50	30	10	50	30	10	50	30	10	50	30	10	0
RCR																					
0	86	86	86	86	83	83	83	83	79	79	79	75	75	75	71	71	71	71	71	71	69
1	78	75	72	69	76	73	70	68	69	67	65	66	64	62	63	61	60	60	58	58	58
2	72	66	62	58	70	65	60	57	61	58	55	59	56	53	56	54	51	50	48	48	48
3	66	59	54	49	64	58	53	49	55	51	47	53	49	46	50	47	45	43	41	41	43
4	61	53	47	42	59	52	46	42	49	45	41	47	43	40	45	42	39	37	35	35	37
5	56	47	41	36	54	46	40	36	44	39	35	42	38	35	41	37	34	32	30	30	32
6	52	43	36	32	50	42	36	32	40	35	31	38	34	30	37	33	30	28	26	26	28
7	48	38	32	28	47	38	32	28	36	31	27	35	30	27	34	30	26	25	23	23	25
8	44	35	29	25	43	34	28	24	33	28	24	32	27	24	30	26	23	22	20	20	22
9	41	31	25	21	40	31	25	21	30	24	21	29	24	21	28	23	20	19	17	17	19
10	38	29	23	19	37	28	23	19	27	22	19	26	21	18	25	21	18	17	15	15	17

Candela

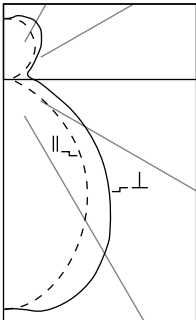
Angle	Along II	45°	Across L
0	2571	2571	2571
5	2536	2554	2571
15	2322	2428	2523
25	2007	2151	2286
35	1632	1771	1952
45	1215	1355	1563
55	766	944	1190
65	369	617	815
75	176	387	519
85	33	243	365
90	0	196	300
95	0	151	242
105	0	101	117
115	0	56	67
125	1	33	36
135	3	17	29
145	3	8	10
155	0	1	3
165	0	0	0
175	0	0	0
180	0	0	0

Zonal Lumen Summary

Zone	Lumens	%Lamp	%Fixture
0-30	1915	21.28	29.32
0-40	3028	33.65	46.35
0-60	4946	54.96	75.70
0-90	6210	69.01	95.05
40-90	3182	35.36	48.70
60-90	1264	14.05	19.35
90-180	323	3.59	4.95
0-180	6534	72.60	100.00

Luminance Data

Angle in Deg	0-Deg cd/m	45-Deg cd/m	90-Deg cd/m
45	8222	8810	9781
55	6386	7270	8421
65	4176	5817	6683
75	3258	4654	5021
85	1795	3845	4255



SB-WB-2T5
DL70
70% Downlight Kit
(2) FP54/841/HO
4500 Lumens
Efficiency 79.0%
Test Report
#LS116023

Coefficients of Utilization

rc	Effective floor cavity reflectance								20%												
	80%				70%				50%				30%				10%				0%
rw	70	50	30	10	70	50	30	10	50	30	10	50	30	10	50	30	10	50	30	10	0
RCR																					
0	89	89	89	89	84	84	84	84	75	75	75	67	67	67	60	60	60	60	60	60	56
1	81	77	74	71	77	74	71	68	66	64	62	59	57	56	53	52	50	47	45	45	47
2	74	68	63	59	70	65	60	57	58	55	52	52	50	47	47	45	43	40	38	38	40
3	68	60	55	50	64	57	52	48	52	48	44	47	44	41	42	40	37	35	33	33	35
4	62	54	48	43	59	51	46	41	47	42	38	42	38	35	38	35	33	30	28	28	30
5	57	48	41	37	54	46	40	35	42	38	33	38	34	31	34	31	28	26	24	24	26
6	53	43	37	32	50	41	35	31	37	33	29	34	30	27	31	27	25	23	21	21	23
7	49	39	32	28	46	37	31	27	34	29	25	31	27	23	28	25	22	20	18	18	20
8	45	35	29	24	43	33	28	23	31	26	22	28	24	21	25	22	19	17	15	15	17
9	42	32	25	21	39	30	25	21	28	23	19	25	21	18	23	19	17	15	13	13	15
10	39	29	23	19	37	27	22	18	25	20	17	23	19	16	21	17	15	13	11	11	13

Candela

Angle	Along II	45°	Across L
0	1994	1994	1994
5	1970	1982	2002
15	1807	1925	2015
25	1566	1732	1859
35	1274	1446	1619
45	951	1125	1279
55	609	788	976
65	297	519	676
75	146	323	435
85	29	198	305
90	0	159	251
95	12	150	222
105	112	193	211
115	214	270	266
125	311	374	349
135	387	482	461
145	455	529	554
155	498	551	572
165	520	555	569
175	528	531	537
180	528	528	528

Zonal Lumen Summary

Zone	Lumens	%Lamp	%Fixture
0-30	1522	16.92	21.42
0-40	2428	26.98	34.16
0-60	4000	44.45	56.28
0-90	5055	56.17	71.12
40-90	2627	29.20	36.97
60-90	1054	11.72	14.84
90-180	2052	22.81	28.88
0-180	7108	78.98	100.00

Luminance Data

Angle in Deg	0-Deg cd/m	45-Deg cd/m	90-Deg cd/m
45	6433	7318	8003
55	5075	6068	6902
65	3363	4886	5541
75	2700	3885	4212
85	1600	3132	3555