

DESCRIPTION

Corelite's Navigator II suspended direct-indirect fluorescent luminaire features a rugged aluminum construction, elegant styling, and a new High Efficiency Louver which offers up to 7% greater efficiency than the standard cross blade. Our Slide-N-Lock™ optics accessory allows the designer to adjust the amount of uplight and downlight for a particular application. The Navigator II may be mounted individually or continuously with 4', 8' and 12' modular sections. Luminaires align with T-Grid and interface with all ceiling types. The Navigator II is suited for open offices, private offices, conference rooms, trading floors, reception areas and educational facilities.

Catalog #		Type
Project		
Comments		Date
Prepared by		

SPECIFICATION FEATURES

A ... Construction

Housing is 6063 T5 aluminum extrusion forming a 9" x 2-7/8" rounded profile. Standard 4'-0", 8'-0" and 12'-0" fixture lengths combine for continuous runs.

B ... End Caps

Standard end caps are precision die-cast aluminum, mechanically attached without exposed fasteners.

C ... Louver

A continuous 93% reflective painted white aluminum 1-1/8" blades spaced 2-3/8" on-center with a 3-1/2" opening.

D ... Reflectors

Reflector pan is painted with a high reflectance white powder coat finish. Optional die-formed side reflectors are highly specular anodized aluminum.

E ... Electrical

T5/T5HO fixtures are pre-wired with quick wire connectors and use UL listed Class P, T5/T5HO program rapid start universal voltage electronic ballasts, power factor of 97% with less than 10% THD. Fixtures and electrical components certified to UL and CUL standards.

F ... Finish

Fixture housings are standard white using electrostatically applied polyester powder coat paint.

Mounting

Standard aircraft cable mounts on 4'-0", 8'-0" and 12'-0" centers. Refer to installation section for various ceiling interface details and rigid pendant mounting details.



High Efficiency Louver

Navigator II

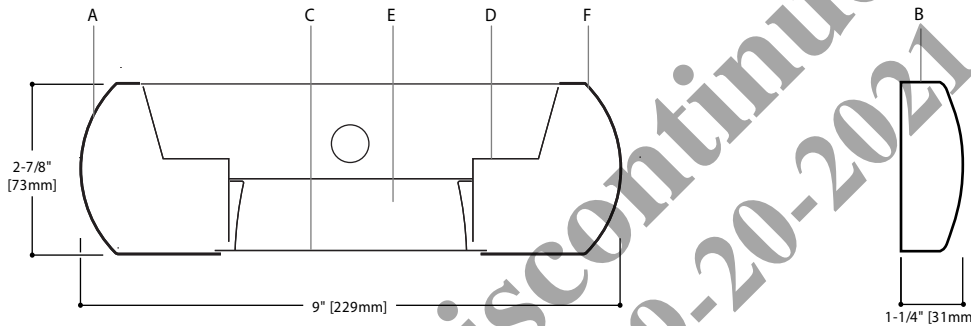
1T5
1T5HO

Suspended
Direct/Indirect

Light Distribution
Indirect - 66.6%
Direct - 33.4%

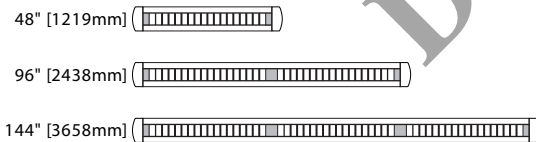


SLIDE-N-LOCK™



End Cap Side View

MODULES AND DIMENSIONS*



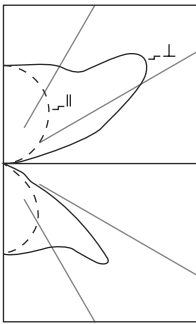
*Dimensions do not include end caps.

ORDERING INFORMATION

Sample Number: NB-WW-1T5-1C-UNV-AC48-T1-12

<p>Series NB: Navigator II Suspended</p>	<p>Number of Lamps 1: 1 Lamp</p>	<p>Wiring¹ B: Battery Pack C: Standard Circuit D: Dimming E: Emergency T: Nightlight Y: Daylight</p>	<p>Voltage¹ 120: 120V 277: 277V 347: 347V UNV: Universal (120V-277V)</p>	<p>Suspension Length Adjustable Cable 48", 120", 240", 300", or 360" (infinite adjustment along entire length of cable) Rigid Pendant² 12", 15", 18", 21", 24", or 27"</p>	<p>Ceiling Type T1: 1" T-Bar T9: 9/16" T-Bar TS: Slotted T-Bar ST: Structure JB: 4" Octagonal J-Box</p>	<p>Options Slide-N-Lock™ DL1 DL2 DL3 DL4 DL5 DL6 DL7 DL8</p>
<p>Optics Up S: Specular W: White</p>	<p>Lamp Type N5: T5 Normal Output T5: T5 High Output</p>		<p>Suspension A: Aircraft Cable P: Rigid Pendant</p>		<p>Run Length Individually Mounted Luminaires may be 4', 8', or 12' in length Continuously Mounted Standard row configurations over 12' consist of 8' and 12' sections</p>	
<p>Optics Down W: High Efficiency Louver</p>	<p>Number of Circuits¹ 1: 1 Circuit</p>		<p>Power Feed¹ C: Straight Cord K: Curly Cord P: Rigid Pendant</p>			

Notes: 1 Not all options available. Please consult your Cooper Lighting Solutions Representative for availability.
2 Consult adder section of the price guide for additional standard lengths.



NB-SW-1T5
(1) FP54/841/HO
4500 Lumens

Efficiency 91.6%

Test Report
#ITL58757

Coefficients of Utilization

rc	Effective floor cavity reflectance												0%						
	80%				70%				20%										
rw	70	50	30	10	70	50	30	10	50	30	10	50	30	10	50	30	10	0	
RCR	0	94	94	94	85	85	85	85	68	68	68	52	52	52	37	37	37	31	
	1	86	83	79	76	78	75	72	69	60	58	56	46	45	44	33	33	32	26
	2	79	72	67	63	71	65	61	57	53	49	47	41	39	37	30	28	27	22
	3	72	64	57	52	65	58	52	48	46	43	39	36	33	31	26	25	23	19
	4	66	56	49	44	59	51	45	41	41	37	34	32	29	27	24	22	20	16
	5	60	50	43	38	54	46	39	35	37	32	29	29	26	23	21	19	18	14
	6	56	45	38	33	50	41	35	30	33	29	25	26	23	20	19	17	16	13
	7	51	40	33	29	46	37	31	26	30	25	22	24	20	18	18	15	14	11
	8	47	37	30	25	43	33	25	23	27	23	20	27	23	20	16	14	12	10
	9	44	33	27	22	40	30	25	21	25	21	17	20	17	14	15	13	11	09
	10	41	30	24	20	37	28	22	18	23	19	16	18	15	13	14	12	10	08

Candela

Angle	Along II	45°	Across I ₁
0	573	573	573
5	569	571	569
15	524	559	589
25	457	530	606
35	376	484	627
45	289	430	559
55	200	312	137
65	120	116	128
75	61	67	82
85	16	16	15
90	0	0	0
95	23	9	9
105	84	155	21
115	281	606	695
125	379	781	856
135	465	729	977
145	536	661	828
155	591	646	694
165	621	636	648
175	631	629	626
180	627	627	627

Zonal Lumen Summary

Zone	Lumens	%Lamp	%Fixture
0-30	457	9.1	10.0
0-40	766	15.3	16.7
0-60	1305	26.1	28.5
0-90	1527	30.6	33.4
40-90	806	17.9	19.7
60-90	128	2.8	3.13
90-180	3051	61.0	66.6
0-180	4097	91.1	100

Luminance Data

Angle in Deg	0-Deg cd/sm	45-Deg cd/sm	90-Deg cd/sm
45	1805	2686	3492
55	1540	2403	1055
65	1254	1213	1338
75	1041	1144	1400
85	811	811	760

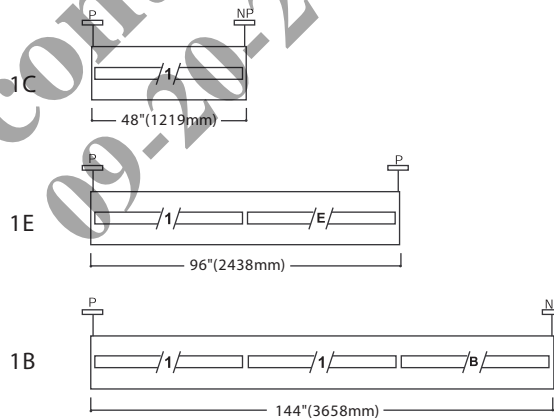
COMMON CIRCUIT CONFIGURATIONS

- 1C=SINGLE circuit luminaire
- 1E=SINGLE circuit luminaire with emergency circuit
- 1B=SINGLE circuit luminaire with battery pack

- /1/ =Circuit 1
- /E/ =Emergency Circuit
- /B/ =Battery Circuit

=Power Mount

=Non-Power Mount

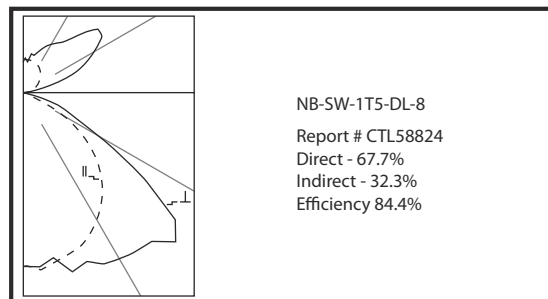
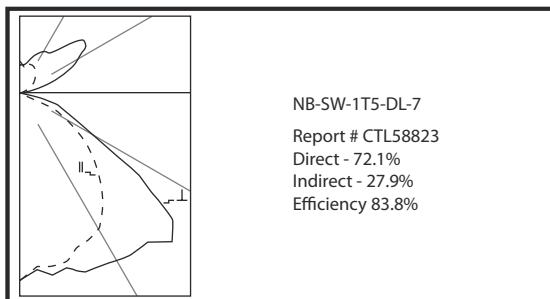
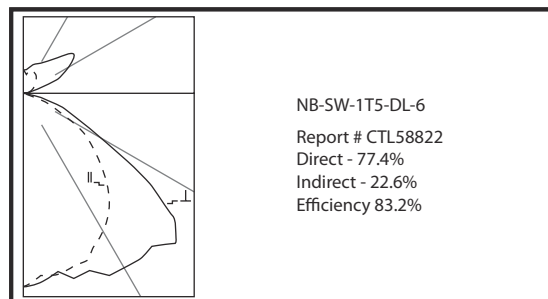
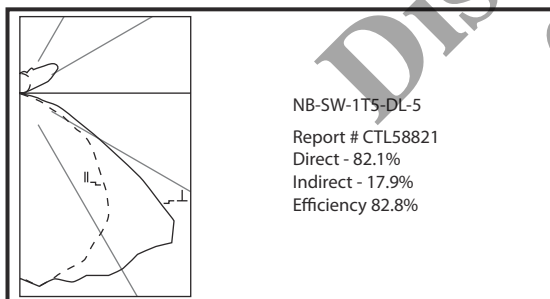
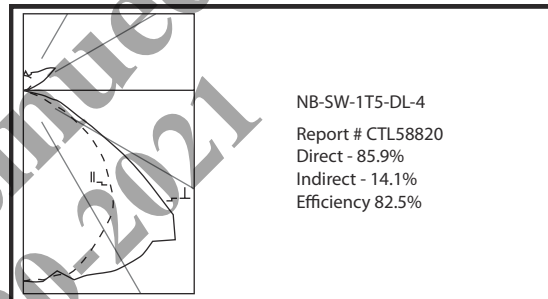
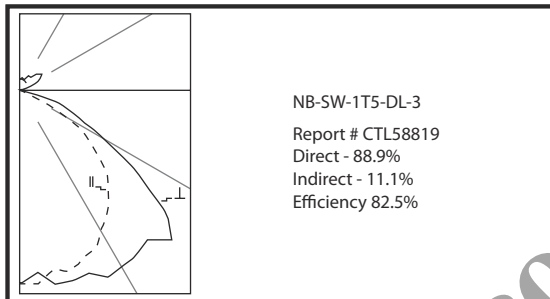
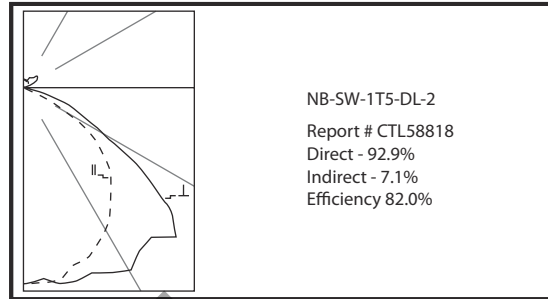
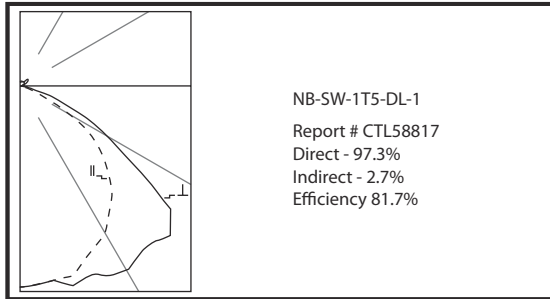
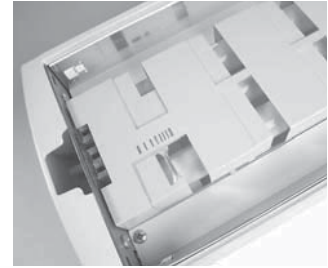


STANDARD ROW CONFIGURATIONS

FIXTURE LENGTH	4'	8'	12'	16'	20'	24'	28'	32'	36'	40'	44'	48'	52'	56'	60'	64'	68'	72'	76'	80'	84'	88'	92'	96'	100'	104'	108'	
4'	1																											
8'		1	2	1		2	1		2	1		2	1		2	1		2	1		2	1		2	1		2	1
12'			1	1	2	1	2	3	2	3	4	3	4	5	4	5	6	5	6	7	6	7	8	7	8	9		

Corelite's latest innovation, Slide-N-Lock™ optics, revolutionizes the concept of variable uplight and downlight percentages within a direct-indirect fluorescent luminaire. Slide-N-Lock™ optics consists of two sliding parts designed to provide combinations of uplight and downlight in approximately 5% increments. The uplight range begins at approximately 5% (fully closed) and ends at approximately 40% (fully open). The optics will be factory set to the specified setting, although it can be field adjusted. To adjust, simply depress the control notch, then "slide-n-lock" the optic into the desired setting. The Slide-N-Lock™ optics simply slides in and out of the top of the Navigator II housing for easy lamp maintenance.

(Patent Pending)



Discontinued 09-20-2021