

NB-SM-1T5
(1) FP54/841/HO
4500 Lumens

Efficiency 95.0%

Test Report
#ITL63571

Coefficients of Utilization

rc	Effective floor cavity reflectance																	
	80%				70%				20%									
rw	70	50	30	10	70	50	30	10	50	30	10	50	30	10	50	30	10	0%
RCR	0	97	97	97	87	87	87	87	68	68	68	51	51	51	35	35	35	28
	1	89	85	82	79	80	76	74	71	60	58	57	46	44	43	32	31	24
	2	81	75	69	65	73	67	63	59	53	50	48	40	38	37	29	27	21
	3	74	66	59	54	66	59	54	50	47	43	40	36	34	31	26	24	18
	4	68	58	51	46	61	53	47	42	42	38	35	32	29	27	23	21	16
	5	63	52	45	40	56	47	41	36	38	33	30	29	26	24	21	19	14
	6	58	47	40	34	52	42	36	32	34	30	26	26	23	21	19	17	13
	7	53	42	35	30	48	38	32	28	31	26	23	24	21	18	17	15	11
	8	49	38	31	26	44	35	29	24	28	24	20	22	19	16	16	14	10
	9	46	35	28	23	41	32	26	22	26	21	18	20	17	15	15	13	9
	10	43	32	25	21	38	29	23	19	24	19	16	19	15	13	14	12	8

Candela

Angle	Along II	45°	Across I_
0	533	533	533
5	539	538	535
15	522	544	559
25	484	520	514
35	435	438	421
45	339	302	266
55	220	178	123
65	116	80	70
75	42	45	44
85	6	13	11
90	0	0	0
95	31	19	17
105	127	457	405
115	245	587	759
125	360	632	821
135	462	633	804
145	538	657	739
155	591	661	712
165	629	652	669
175	647	644	642
180	643	643	643

Zonal Lumen Summary

Zone	Lumens	%Lamp	%Fixture
0-30	438	9.8	10.4
0-40	706	15.9	16.7
0-60	1098	24.7	26.0
0-90	1248	28.1	29.5
40-90	542	12.2	12.8
60-90	150	3.4	3.5
90-180	2979	67.0	70.5
0-180	4228	95.0	100.00

Luminance Data

Angle in Deg	0-Deg cd/sm	45-Deg cd/sm	90-Deg cd/sm
45	2103	1873	1650
55	1682	1361	941
65	1204	830	726
75	712	763	746
85	302	654	554

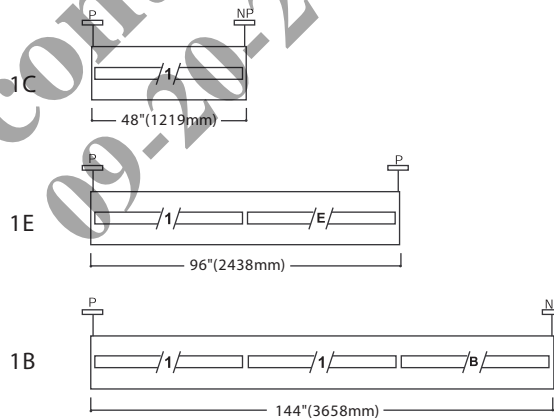
COMMON CIRCUIT CONFIGURATIONS FOR TWO LAMP SUSPENDED FIXTURE

- 1C=S ingle circuit luminaire
- 1E=S ingle circuit luminaire with emergency circuit
- 1B=S ingle circuit luminaire with battery pack

- /1/ =Circuit 1
- /E/ =Emergency Circuit
- /B/ =Battery Circuit

=Power Mount

=Non-Power Mount



STANDARD ROW CONFIGURATIONS

FIXTURE LENGTH	4'	8'	12'	16'	20'	24'	28'	32'	36'	40'	44'	48'	52'	56'	60'	64'	68'	72'	76'	80'	84'	88'	92'	96'	100'	104'	108'	
4'	1																											
8'		1		2	1		2	1		2	1		2	1		2	1		2	1		2	1		2	1		
12'			1		1	2	1	2	3	2	3	4	3	4	5	4	5	6	5	6	7	6	7	8	7	8	9	

Discontinued
09-20-2021