

DESCRIPTION

Corelite's Navigator II suspended semi-indirect fluorescent luminaire features a rugged aluminum construction and elegant styling. The concave perf aluminum insert creates a subtle sparkle while offering the awareness of the light source. The Navigator II may be mounted individually or continuously with 4', 8' and 12' modular sections. Luminaires align with T-Grid and interface with all ceiling types. The Navigator II is suited for open offices, private offices, conference rooms, trading floors, reception areas and educational facilities.

Catalog #		Type
Project		
Comments		Date
Prepared by		

SPECIFICATION FEATURES

A ... Construction

Housing is 6063 T5 aluminum extrusion forming a 9" x 2-7/8" rounded profile. Standard 4'-0", 8'-0" and 12'-0" fixture lengths combine for continuous runs.

B ... End Caps

Standard end caps are precision die-cast aluminum, mechanically attached without exposed fasteners.

C ... Louver

Semi-specular material, perforated section is 15% open with 0.062" diameter holes and opal diffuser.

D ... Reflectors

Reflector pan is painted with a high reflectance white powder coat finish. Optional die-formed side reflectors are highly specular anodized aluminum.

E ... Electrical

T5/T5HO fixtures are pre-wired with quick wire connectors and use UL listed Class P, T5/T5HO program rapid start universal voltage electronic ballasts, power factor of 97% with less than 10% THD. Fixtures and electrical components certified to UL and CUL standards.

F ... Finish

Fixture housings are standard white using electrostatically applied polyester powder coat paint.

Mounting

Standard aircraft cable mounts on 4'-0", 8'-0" and 12'-0" centers. Refer to installation section for various ceiling interface details and rigid pendant mounting details.



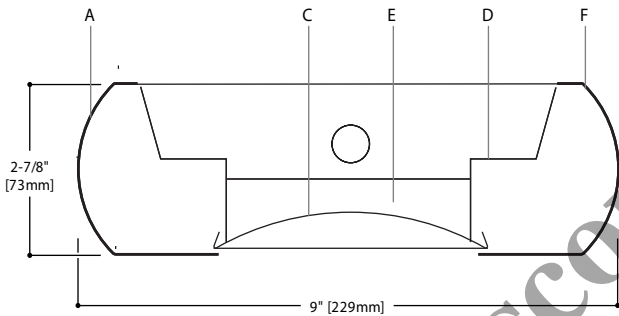
Concave Metallic Perf

Navigator II

1T5
1T5HO

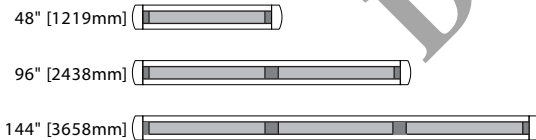
**Suspended
Semi-Indirect**

Light Distribution
Indirect - 95.9%
Direct - 4.1%



End Cap Side View

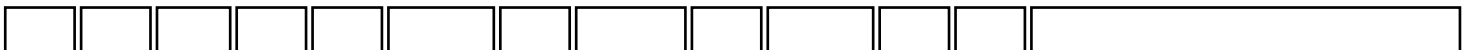
MODULES AND DIMENSIONS*



*Dimensions do not include end caps.

ORDERING INFORMATION

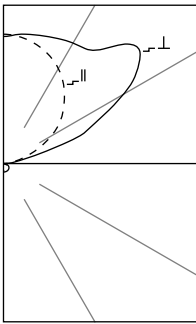
Sample Number: NB-WC-1T5-1C-UNV-AC48-T1-12



<p>Series NB: Navigator II Suspended</p>	<p>Number of Lamps 1: 1 Lamp</p>	<p>Wiring¹ B: Battery Pack C: Standard Circuit D: Dimming E: Emergency T: Nightlight Y: Daylight</p>	<p>Voltage¹ 120: 120V 277: 277V 347: 347V UNV: Universal (120V-277V)</p>	<p>Suspension Length <u>Adjustable Cable</u> 48", 120", 240", 300", or 360" (infinite adjustment along entire length of cable) <u>Rigid Pendant</u>² 12", 15", 18", 21", 24", or 27"</p>	<p>Ceiling Type T1: 1" T-Bar T9: 9/16" T-Bar TS: Slotted T-Bar ST: Structure JB: 4" Octagonal J-Box</p>	<p>Run Length <u>Individually Mounted</u> Luminaires may be 4', 8' or 12' in length <u>Continuously Mounted</u> Standard row configurations over 12' consist of 8' and 12' sections</p>
<p>Optics Up S: Specular W: White</p>	<p>Lamp Type N5: T5 Normal Output T5: T5 High Output</p>					
<p>Optics Down C: Concave Metallic Perf</p>	<p>Number of Circuits¹ 1: 1 Circuit</p>		<p>Suspension A: Aircraft Cable P: Rigid Pendant</p>			

Notes: 1 Not all options available. Please consult your Cooper Lighting Solutions Representative for availability.
2 Consult adder section of the price guide for additional standard lengths.

Power Feed¹
C: Straight Cord
K: Curly Cord
P: Rigid Pendant



NB-SC-1T5
(1) FP54/841/HO
4500 Lumens

Efficiency 87.4%

Test Report
#LS117877

Coefficients of Utilization

rc	Effective floor cavity reflectance																							
	80%				70%				50%				30%				10%				0%			
rw	70	50	30	10	70	50	30	10	50	30	10	50	30	10	50	30	10	50	30	10	50	30	10	
RCR	0	84	84	84	84	72	72	72	72	51	51	51	31	31	31	12	12	12	12	12	12	04	04	04
	1	76	73	70	67	66	63	60	57	44	43	41	27	26	25	11	10	10	10	10	10	03	03	03
	2	69	63	59	54	60	55	51	47	38	36	34	23	22	21	09	09	09	09	09	09	02	02	02
	3	63	56	50	45	54	48	43	40	34	31	28	21	19	18	08	08	07	07	07	07	02	02	02
	4	58	49	43	38	49	43	37	33	30	27	24	18	16	15	07	07	06	06	06	06	02	02	02
	5	53	43	37	32	45	38	32	28	27	23	20	16	14	13	06	06	05	05	05	05	02	02	02
	6	48	39	32	28	41	33	28	24	24	20	18	14	12	11	06	05	05	05	05	05	01	01	01
	7	45	35	28	24	38	30	25	21	21	18	15	13	11	09	05	04	04	04	04	04	01	01	01
	8	41	31	25	21	35	27	22	18	19	16	13	12	10	08	05	04	03	03	03	03	01	01	01
	9	38	28	22	18	32	24	19	16	17	14	11	11	09	07	04	03	03	03	03	03	01	01	01
	10	35	25	20	16	30	22	17	14	16	12	10	10	08	06	04	03	03	03	03	03	01	01	01

Candela

Angle	Along II	45°	Across L
0	53	53	53
5	52	56	52
15	51	55	50
25	46	50	47
35	41	45	42
45	33	39	33
55	26	34	31
65	17	23	21
75	7	14	15
85	2	4	6
90	0	0	0
95	26	6	7
105	158	400	290
115	318	774	759
125	475	947	1164
135	613	852	1196
145	728	881	998
155	817	897	966
165	879	912	938
175	909	909	912
180	910	910	910

Zonal Lumen Summary

Zone	Lumens	%Lamp	%Fixture
0-30	40	0.91	1.04
0-40	67	1.49	1.70
0-60	121	2.69	3.08
0-90	159	3.54	4.05
40-90	92	2.05	2.35
60-90	38	0.85	0.98
90-180	3773	83.86	95.95
0-180	3933	87.40	100.00

Luminance Data

Angle in Deg	0-Deg cd/m	45-Deg cd/m	90-Deg cd/m
45	435	508	435
55	415	549	503
65	365	507	470
75	249	505	537
85	250	521	656

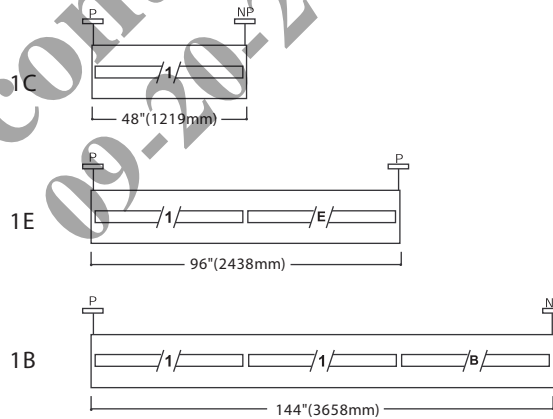
COMMON CIRCUIT CONFIGURATIONS FOR TWO LAMP SUSPENDED FIXTURE

- 1C=Single circuit luminaire
- 1E=Single circuit luminaire with emergency circuit
- 1B=Single circuit luminaire with battery pack

- /1/=Circuit 1
- /E/=Emergency Circuit
- /B/=Battery Circuit

=Power Mount

=Non-Power Mount



STANDARD ROW CONFIGURATIONS

FIXTURE LENGTH	4'	8'	12'	16'	20'	24'	28'	32'	36'	40'	44'	48'	52'	56'	60'	64'	68'	72'	76'	80'	84'	88'	92'	96'	100'	104'	108'	
4'	1																											
8'		1		2	1		2	1		2	1		2	1		2	1		2	1		2	1		2	1		2
12'			1		1	2	1	2	3	2	3	4	3	4	5	4	5	6	5	6	7	6	7	8	7	8	9	