

DESCRIPTION

The Corelite R3 combines excellent performance with the high sense of style and superior brightness management that characterizes the Corelite Class RZ family. To further realize the Class R series' design potential, the Class R3 is available with a complete palette of lamp options. Accommodates T5, T8, and LED sources and maintains the series' dedication to shallow plenum applications with a minimal 3-3/4" deep housing. Available in 2x2, 2x4, and 1x4 with multiple lensing styles, the Class RZ family is ideal for a large range of architectural interiors including offices, schools, and hospitals.

Catalog #		Type
Project		
Comments		Date
Prepared by		

SPECIFICATION FEATURES

Construction

Low profile 3-3/4" housing constructed of die-formed 20 gauge cold rolled steel with integral 20 gauge gear tray. High reflectance sheet metal internal reflectors can be removed for easy access to ballast compartment from below ceiling plenum.

Shielding

Side reflectors are frosted acrylic for visually appealing fully luminous aesthetic. Center lens is high light transmission curved frosted prismatic acrylic lens with UV inhibitors. Micro

baffle, perf patterns, and nano-prismatic are available as additional aesthetic options. WB: Injection molded white internal bladed micro baffle with clear prismatic acrylic lens. WG/WD: Perf available in round or rectangular pattern via internal frosted acrylic inlay and smooth clear acrylic lens. WN: Nano-prismatic inlay is a high light transmission material offering additional brightness mitigation with smooth acrylic lens. Lenses secured to housing via injection molded inserts for easy lamp access.

Finish

Fixture housing is high reflectance white using electrostatically applied polyester powder coat paint for durability and luminous uniformity.

Electrical

T5/T5HO fixtures use UL listed Class P, T5/T5HO program rapid start universal voltage electronic ballasts, power factor of 97% with less than 10% THDT8 fixtures use UL listed Class P, T8 instant start universal voltage electronic ballasts. Power factor of 95% with less than 10% THD. Fixtures and electrical components certified to cULus standards.

Mounting

Universal flange design works with most lay-in ceiling types. Integral pry-out tabs secure luminaire to ceiling grid from above. Fixture offers tie-in locations for tie-wire on all corners. Consult local code for appropriate tie-wire recommendations. "T1" ceiling type is compatible with Metalux DF Series Drywall Frame Kits and Metalux Universal Surface Mount Kits, ordered separately from Metalux. For 2x2 drywall frame kit, order part #DF-24-W. For 2x2 surface mount kit, order part #SK-24-WT. Refer to the surface mount kit specification sheet for more information.

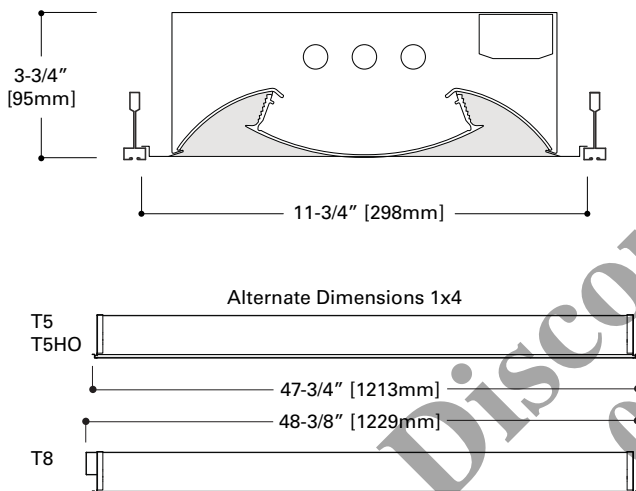


CLASS R3

Curved Lens

T8, T5, and T5HO

1' x 4' Recessed
3-3/4" Depth



ORDERING INFORMATION

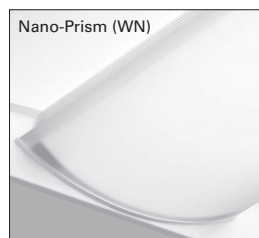
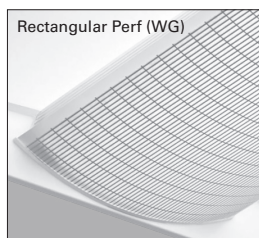
Sample Number: R3-WL-2T8-1C-UNV-14-T1

Series ⁽¹⁾	Shielding	Number of Lamps	Lamp Type	Number of Circuits	Wiring
R3 = Class R3 Recessed Series	WL = Linear Prismatic Lens WB = Micro baffle WD = Round Perf Inlay WG = Rectangular Perf Inlay WN = Nano Prism Lens	1 = 1 Lamp 2 = 2 Lamps 3 = 3 Lamps	N5 = T5 Normal Output T5 = T5 High Output T8 = T8 Normal Output	1 = 1 Circuit 2 = 2 Circuits	B = Battery pack C = Standard Circuit D = Dimming / Step Dimming E = Emergency T = Emergency Y = Daylight
Input Voltage	Size	Ceiling Type		Options	
120 = 120V 277 = 277V UNV = Universal (120V-277V) 347 = 347V	14 = 1' x 4'	T1 = 1" T-Bar, Slot Grid, and 9/16" Tegular T9 = 9/16" T-Bar (Flush)		AR = Air Return CP = Chicago Plenum SD = Step Dimming W6 = 6' Whip Flex W12 = 12' Whip Flex	

⁽¹⁾ Not all options available. Please consult your Cooper Lighting Solutions Representative for availability.



SHIELDING OPTIONS



Discontinued
09-20-2021