

DESCRIPTION

The Class R2 Series by Corelite offers a shallow recessed design, ideal for plenum-restricted applications and low-ceiling environments. The Class R2 Series has been optically engineered to provide low-brightness ambient illumination and to accommodate a variety of innovative shielding options, including a unique linear prismatic frosted lens, bladed micro baffle, and two styles of perforated overlays. The dedicated T5 design of the Class R2 Series offers superior lumens per watt when compared with traditional 3T8 or twin tube luminaires.

Catalog #		Type
Project		
Comments		Date
Prepared by		

SPECIFICATION FEATURES

A ... Construction

Low profile housing die-formed 20 gauge cold rolled steel with integral one-piece 20 gauge gear tray.

B ... Reflectors

High reflectance white powder coat painted reflector system.

C ... Shielding

Linear prismatic fully frosted acrylic lens. Lens is designed to provide low glare ambient illumination while creating evenly luminous side reflectors. Lens secured to housing via injection molded inserts for easy lamp access.

D ... Electrical

T5/T5HO fixtures are pre-wired with quick wire connectors and use UL listed Class P, T5/T5HO program rapid start universal voltage electronic ballasts, power factor of 97% with less than 10% THD. Fixtures and electrical components certified to UL and CUL standards.

E ... Finish

Fixture housings are standard white using electrostatically applied polyester powder coat paint.

Mounting

Standard flange design works with most lay-in ceiling types. Integral pryout tabs secure luminaire to ceiling grid from above. Fixture offers tie-in locations for tie-wire on all corners, consult local code for appropriate tie-wire recommendations.

NOTE: Concealed Ceiling

Class R may be installed into inaccessible ceilings (sheet rock, wood panel, etc.). This is achieved with the Metalux DFW series drywall frame-in kit, ordered separately from Metalux. Specify "CC" for the Corelite Ceiling Type. Specify the following part numbers separately, from Metalux:
 For 1x4, order Metalux part # DF-14W-U
 For 2x2, order Metalux part # DF-22W-U
 For 2x4, order Metalux part # DF-24W-U

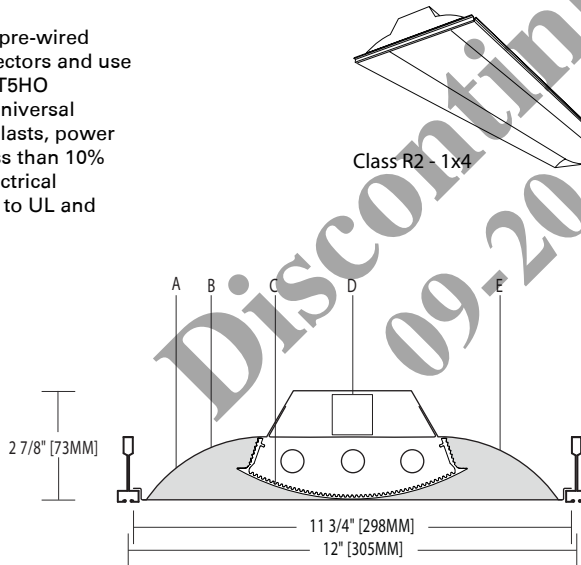


CLASS R2
Frosted Prismatic
Lens

T5
T5HO

1'x4' Shallow Recessed
2-7/8" Depth

Fixture Efficiency: 76.0%



ORDERING INFORMATION

Sample Number: R2-WL-3T5-1C-UNV-14-T1

Series R2: Class R2	Shielding L: Linear Prismatic Lens	Lamp Type N5: T5 Normal Output T5: T5 High Output	Wiring ¹ B: Battery Pack C: Standard Circuit D: Dimming / Step Dimming E: Emergency T: Nightlight Y: Daylight	Voltage ¹ 120: 120V 277: 277V 347: 347V UNV: Universal (120V-277V)	Ceiling Type T1: 1" Grid, Slot-Grid, 9/16" Tegular T9: 9/16" Grid CC: Concealed Ceiling SU: Surface Mount	Options ¹ AR: Air Return CP: Chicago Plenum NY: New York City Construction AM: Anti-Microbial Coating LG: Lens Gasketing SD: Step Dimming W6: 6' Whip Flex W12: 12' Whip Flex
Reflector W: White	Number of Lamps 1= 1 Lamp 2= 2 Lamps 3= 3 Lamps	Number of Circuits ¹ 1: 1 Circuit 2: 2 Circuits	Size 14: 1' x 4'			

Notes: ¹ Not all options available. Please consult your Cooper Lighting Solutions Representative for availability.