

DESCRIPTION

Corelite's Class A Perf Wall Mount is a semi-indirect fluorescent luminaire with an engineered optical system, which provides an asymmetric forward throw distribution. The perforated fixture housing provides a soft downlight component. The Class A Perf Wall may be mounted over standard 2"x4" J-Boxes for individual or continuous configurations using 4', 8' and 12' modular sections. The Class A Perf Wall is suited for open office perimeters, private offices, conference rooms, corridors and public spaces.

Catalog #		Type	
Project		Date	
Comments			
Prepared by			

SPECIFICATION FEATURES

A ... Construction

Housing is one piece die-formed cold rolled steel, forming a 6" x 2 7/8" architectural profile. Perforated sections are 23% open with 0.0625" staggered hole pattern and opal diffuser. Standard 4'-0", 8'-0" and 12'-0" fixture lengths combine for continuous runs.

B ... End Plates

Standard laser cut 14-gauge cold rolled steel, mechanically attached with no exposed fasteners. Optional die-cast aluminum end caps also available.

C ... Reflectors

Die-formed reflectors are highly specular anodized aluminum.

D ... Electrical

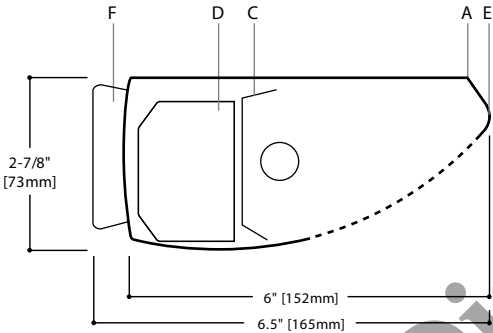
T5/T5HO fixtures are pre-wired with quick wire connectors and use UL listed Class P, T5/T5HO program rapid start universal voltage electronic ballasts, power factor of 97% with less than 10% THD. Fixtures and electrical components certified to UL and CUL standards.

E ... Finish

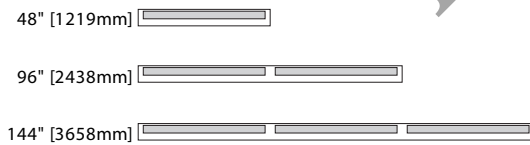
Fixture housings are standard white using electrostatically applied polyester powder coat paint.

F ... Mounting

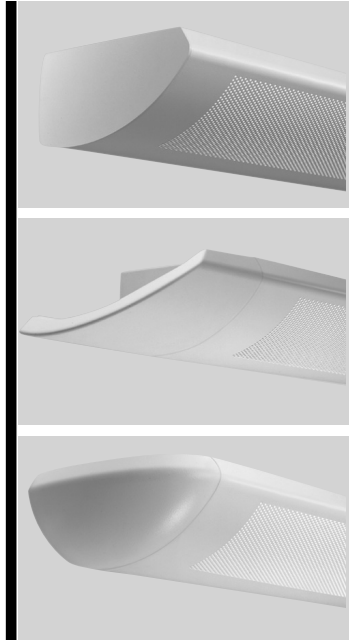
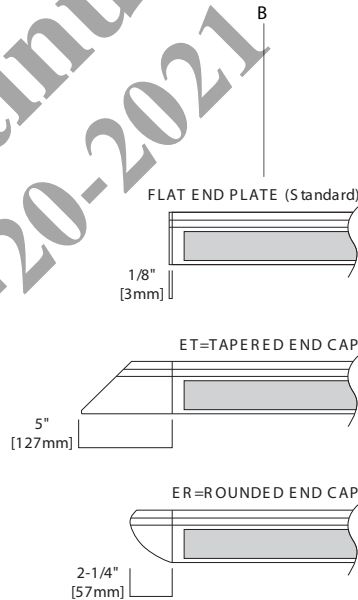
Fixture mounts directly to existing structure over a 2" x 4" standard electrical box mounted horizontally into the wall. Refer to installation section for details.



MODULES AND DIMENSIONS*



*Dimensions do not include end plates.



Class A Perf Wall

1T5
1T5HO

Wall Mount
Semi-Indirect

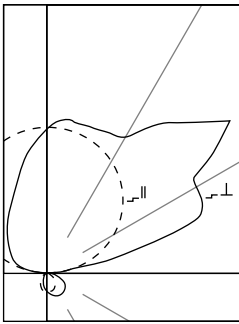
Light Distribution
Indirect - 91.7%
Direct - 8.3%

ORDERING INFORMATION

Sample Number: AW-SP-1T5-1C-277-SU-WA-32-ET

Series AW: Class A Perf Wall Mount	Optics Up S: Specular Optics Down P: Round Perf	Number of Lamps 1: 1 Lamp	Lamp Type N5: T5 Normal Output T5: T5 High Output Number of Circuits 1: 1 Circuit	Wiring B: Battery Pack C: Standard Circuit D: Dimming E: Emergency T: Nightlight Y: Daylight	Voltage 120: 120V 277: 277V 347: 347V UNV: Universal (120V-277V)	Suspension SU-WA: Surface/Wall Mount Run Length Individually Mounted Luminaires may be 4', 8', or 12' in length Continuously Mounted Standard row configurations over 12' consist of 8' and 12' sections	Options ER: Rounded End Cap ET: Tapered End Cap
--	--	-------------------------------------	---	---	---	--	--

Notes: 1 Not all options available. Please consult your Cooper Lighting Solutions Representative for availability.



AW-SP-1T5
(1) FP54T5/841/HO
4500 Lumens

Efficiency 73.9%

Test Report
#LS114820

Coefficients of Utilization

rc	Effective floor cavity reflectance																																						
	80%				70%				50%				30%				10%				0%																		
rw	70	50	30	10	70	50	30	10	50	30	10	50	30	10	50	30	10	50	30	10	50	30	10	50	30	10	50	30	10	50	30	10	50	30	10	50	30	10	
RCR	0	72	72	72	72	62	62	62	62	44	44	44	28	28	28	13	13	13	06	06	06	06	06	06	06	06	06	06	06	06	06	06	06	06	06	06	06	06	06
	1	65	62	60	57	57	54	52	49	39	37	36	25	24	23	12	11	11	05	05	05	05	05	05	05	05	05	05	05	05	05	05	05	05	05	05	05	05	05
	2	59	54	50	46	51	47	44	41	34	32	30	22	20	19	10	10	09	04	04	04	04	04	04	04	04	04	04	04	04	04	04	04	04	04	04	04	04	04
	3	54	48	43	39	47	42	37	34	30	27	25	19	18	16	09	08	08	04	04	04	04	04	04	04	04	04	04	04	04	04	04	04	04	04	04	04	04	04
	4	49	42	37	33	43	37	32	29	26	23	21	17	15	14	08	07	07	03	03	03	03	03	03	03	03	03	03	03	03	03	03	03	03	03	03	03	03	03
	5	45	37	32	28	39	33	28	24	23	20	18	15	13	12	07	06	06	03	03	03	03	03	03	03	03	03	03	03	03	03	03	03	03	03	03	03	03	03
	6	41	33	28	24	36	29	24	21	21	18	16	13	12	10	06	06	05	02	02	02	02	02	02	02	02	02	02	02	02	02	02	02	02	02	02	02	02	02
	7	38	30	24	20	33	26	21	18	19	16	13	12	10	09	06	05	04	02	02	02	02	02	02	02	02	02	02	02	02	02	02	02	02	02	02	02	02	02
	8	35	27	21	18	30	23	19	16	17	14	12	11	09	08	05	04	04	02	02	02	02	02	02	02	02	02	02	02	02	02	02	02	02	02	02	02	02	02
	9	32	24	19	15	28	21	17	14	15	12	10	10	08	07	05	04	03	02	02	02	02	02	02	02	02	02	02	02	02	02	02	02	02	02	02	02	02	02
	10	30	22	17	14	26	19	15	12	14	11	09	09	07	06	04	04	03	01	01	01	01	01	01	01	01	01	01	01	01	01	01	01	01	01	01	01	01	01

Candela

Angle	Along II	45°	Across L
0	102	102	102
5	100	106	113
15	96	116	128
25	81	118	138
35	69	116	140
45	46	103	138
55	26	94	123
65	14	66	101
75	5	42	69
85	0	22	42
90	0	11	30
95	26	30	37
105	229	647	580
115	386	780	1003
125	518	984	1138
135	624	904	1249
145	716	824	1052
155	781	855	900
165	829	885	892
175	851	895	902
180	844	844	844

Zonal Lumen Summary

Zone	Lumens	%Lamp	%Fixture
0-30	77	1.72	2.33
0-40	124	2.77	3.75
0-60	211	4.71	6.37
0-90	275	6.13	8.29
40-90	151	3.36	4.54
60-90	63	1.42	1.92
90-180	3049	67.77	91.71
0-180	3325	73.90	100.00

Luminance Data

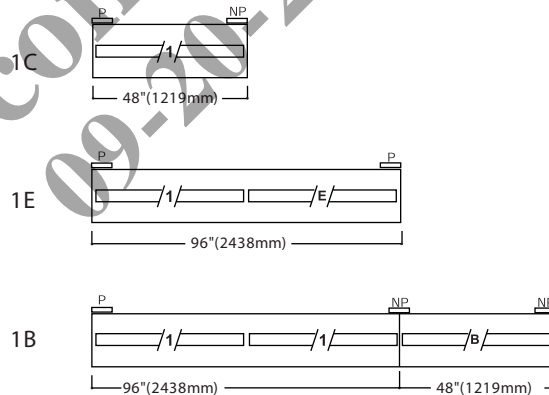
Angle in Deg	0-Deg cd/s/m	45-Deg cd/s/m	90-Deg cd/s/m
45	378	624	752
55	263	630	752
65	192	533	683
75	112	413	537
85	0	275	387

COMMON CIRCUIT CONFIGURATIONS FOR TWO LAMP SUSPENDED FIXTURE

- 1C=S ingle circuit luminaire
- 1E=S ingle circuit luminaire with emergency circuit
- 1B=S ingle circuit luminaire with battery pack

- /1/ =Circuit 1
- /E/ =Emergency Circuit
- /B/ =Battery Circuit

- P =Power Mount
- NP =Non-Power Mount



STANDARD ROW CONFIGURATIONS

FIXTURE LENGTH	4'	8'	12'	16'	20'	24'	28'	32'	36'	40'	44'	48'	52'	56'	60'	64'	68'	72'	76'	80'	84'	88'	92'	96'	100'	104'	108'		
4'	1																												
8'		1		2	1		2	1		2	1		2	1		2	1		2	1		2	1		2	1		2	1
12'			1		1	2	1	2	3	2	3	4	3	4	5	4	5	6	5	6	7	6	7	8	7	8	9		