

CKMB18, CKMB36 & CKMB48 ControlKeeper M with Circuit Breakers

Catalog#	Prepared by
Project	Date
Comments	Type

Overview

ControlKeeper M with Breakers network lighting control panels are scalable to any size application. The large view color touchscreen permits entire network programming and monitoring for complete system control and integration. Control up to 48 relays per panel with integral circuit breakers as well as discrete inputs for occupancy sensors, low voltage switches and other input devices. ControlKeeper M with Breakers network panels, is designed for intuitive programming, and monitoring of the relays. The relays automatically sense the optimal time to switch lighting loads.

Features

- Integrated breakers and relays in a single, space saving enclosure
- True real-time power metering relay panel
- Capable of controlling receptacle loads
- Individually replaceable relays with arc suppression technology
- Programming stored in non-volatile memory
- 30 Amp relays are used on all 20A relay cards to extend relay life
- LED ready



Specifications

Enclosure	NEMA 1 surface mount, lockable
Size	CKMB18: 54"H X 24"W X 6"D (up to 18 relays) CKMB36: 76"H X 24"W X 6"D (up to 36 relays) CKMB48: 90"H X 24"W X 6"D (up to 48 relays)
Transformer Ratings	Wide input voltage power supply, 120-347 VAC
Power Use Ratings	Fully loaded panel 90 watts
Operating Environment	Temperature: 32°F to 122°F (0°C to 50°C)
Master Override	ON/AUTO/OFF or Individual relay control with status LED
Programming	Onboard TouchScreen Interface One panel or entire network Optional PC Software
Standard Relay Ratings	Normally open 20A, incandescent 120 VAC, ballast 277 VAC (LED) Maximum wire size: 8 AWG 1HP @ 120 VAC, 2HP @ 277 VAC
Latching Relay Ratings	Normally open, normally closed latching 20A, 120/277 VAC (LED) 15A, 347 VAC (LED) Maximum wire size: 8 AWG 1HP @ 120 VAC, 2HP @ 277 VAC
Two Pole Relay Ratings	Normally open Maximum wire size: 6 AWG 20A, 208, 240/480 VAC
Relays have a minimum 25K SCCR	
Standards	UL Approval UL 508 Listed UL 924 with LRM



Accessories

- Automation Interface Module
- Keeper Enterprise Software
- Ethernet Interface Module
- Digital Switch
- Dry Contact Switches
- Occupancy & Daylighting Sensors

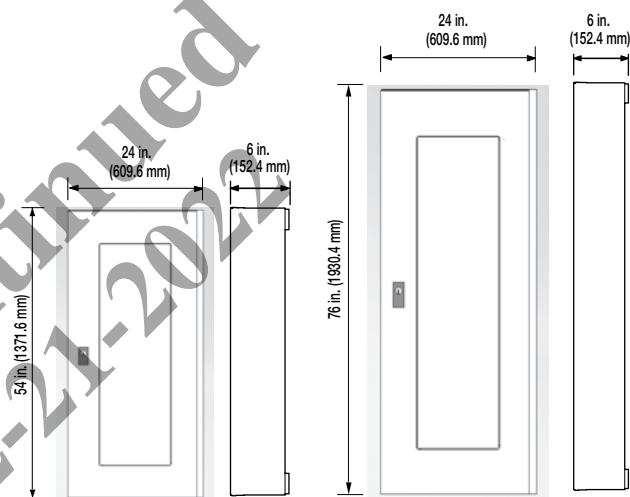
Dimensions

Enclosure

CKMB 18: 54"H X 24"W X 6"D (up to 18 relays)

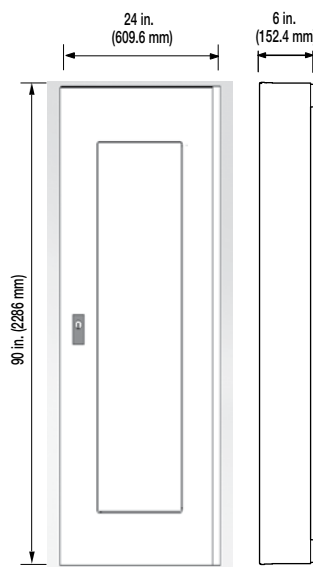
CKMB 36: 76"H X 24"W X 6"D (up to 36 relays)

CKMB 48: 90"H X 24"W X 6"D (up to 48 relays)



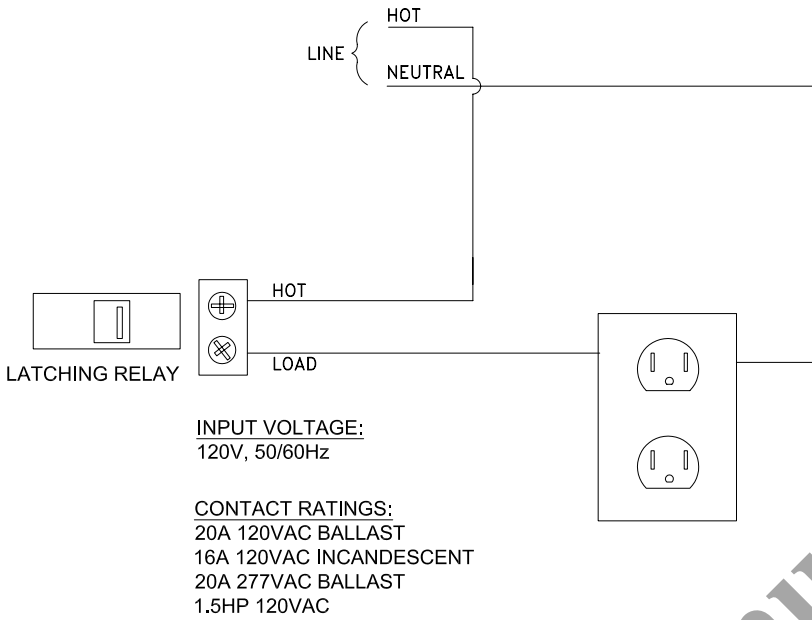
System Includes

- NEMA 1 enclosure
- Integral 20A breakers
- Low Voltage input connections
- Digital Switch Interface
- 0-10V inputs
- Time schedules with astronomic clock
- Controls receptacle loads with latching relay module
- Prioritization and masking of switch inputs, time schedules and remotes
- Timed inputs
- Occupant warn-off and overrides
- RS-232 port
- Power Metering
- Onboard Ethernet port
- UL Listed - UL 924 with LRM

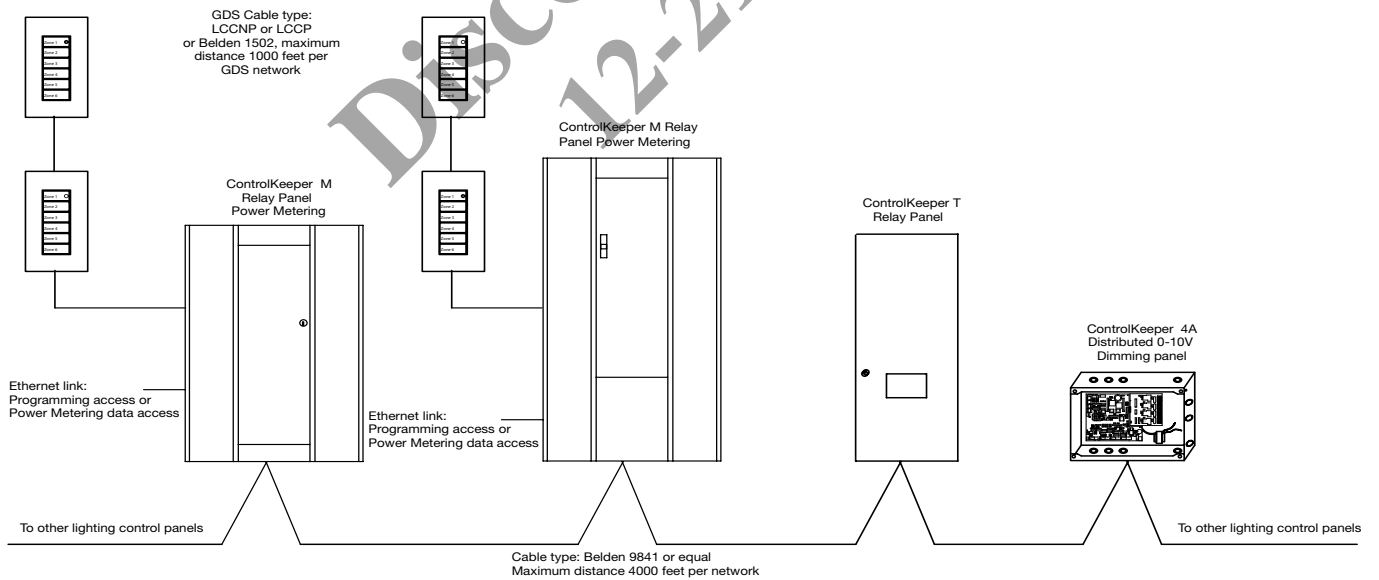


Wiring Diagram

Latching Relay Receptacle Control



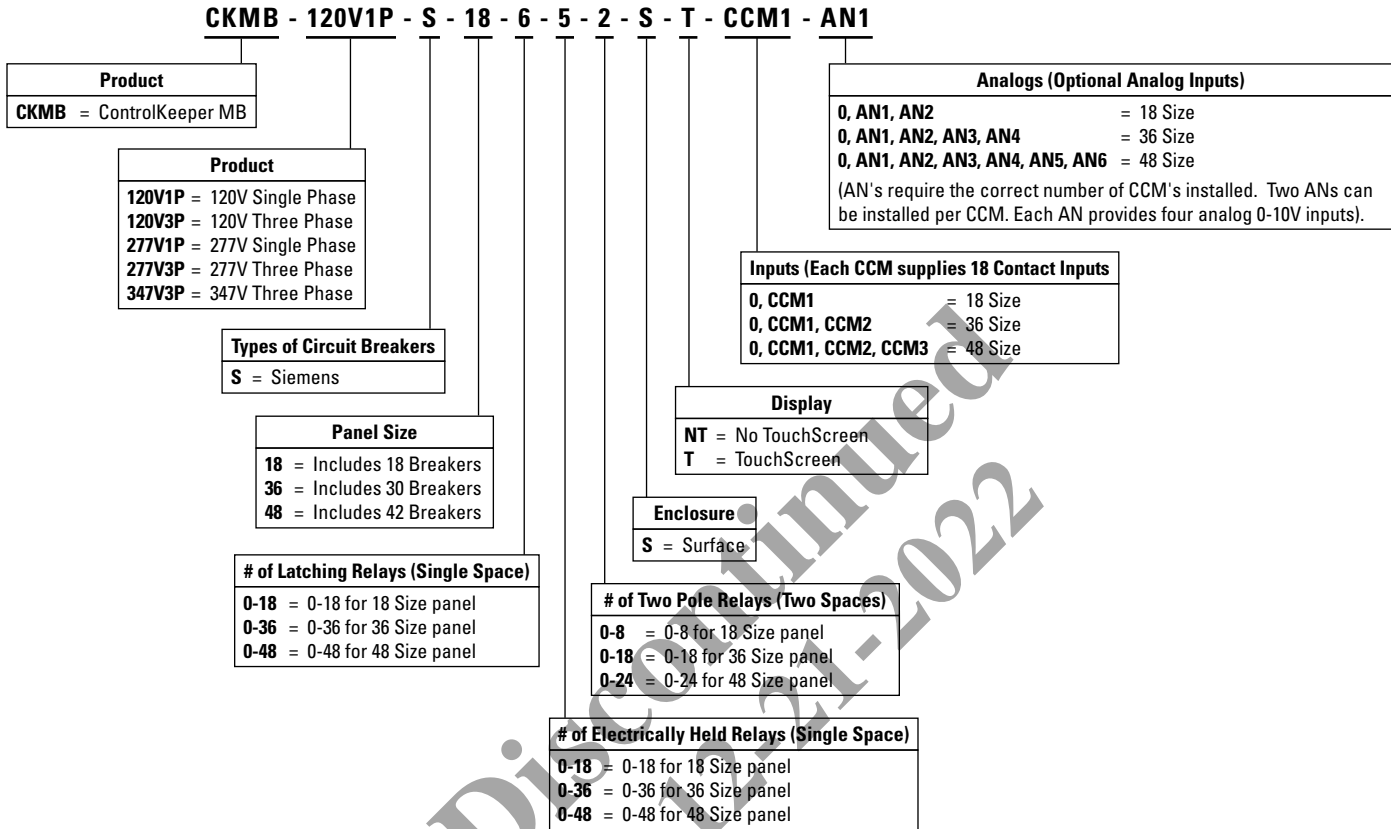
Sample One-Line



Ordering

This is a network-ready lighting control system. It can be combined with other ControlKeeper series panels to create a scalable networked lighting control scheme. It can be ordered with any suitable system option or accessory.

Note: 18 size enclosures support single pole and three pole breaker configurations. 36 and 48 size enclosures support three pole breaker configurations.



Additional Options

Catalog #	Description
iBarrier	Individual Relay Barrier, Voltage and Power Source Separation

Cooper Lighting Solutions
1121 Highway 74 South
Peachtree City, GA 30269
P: 770-486-4800
www.cooperlighting.com
For service or technical assistance:
1-800-553-3879

© 2020 Cooper Lighting Solutions
All Rights Reserved
Printed in USA
Publication No. TD503129EN
September 2019