

DESCRIPTION

A series of understated, balanced luminaires that come in a variety of lamp types. The Stasis family features die-cast and extruded bodies with elegant free-flowing lines. Ideal for accent and display lighting applications. This Stasis LED is perfect for those applications where performance is required from a discrete source.

| | | |
|-------------|--|------|
| Catalog # | | Type |
| Project | | |
| Comments | | Date |
| Prepared by | | |

DESIGN FEATURES

Quick-Lock Adapter*

Attaches electrically and mechanically anywhere along track. Includes discrete locking tab that locks luminaire on track and allows for easy removal and repositioning.

Lockable Aiming

Luminaire tilt and rotation can be locked in place easily with a 0.5mm allen wrench (included).

Switch

On/off switch allows power to be turned off during lamp replacement on individual luminaires.

Driver Housing

Die-cast and extruded aluminum housing incorporates the lamp control circuit.

Heat Sink

Aluminum die-cast heat sink provides exceptional thermal management to yield 70% lumen maintenance after 50,000 hours of operation.

Luminaire Arm

Arm allows the lamp housing tilt to adjust +/-90°. It also pivots +/-90° around the ballast housing. This enables the ballast housing to remain static on the track creating a clean look, while providing full aiming capabilities. The arm employs graduations every 15° for precise and repeatable tilt aiming. Indicator mark on the bottom ensures perfect luminaire housing alignment with track.

LED Light Engine

Equipped with (7) 3-Watt white LEDs. Factory configurable optics allow for 3 optical distributions. High CRI of 90 with excellent color consistency of +/- 50 K color temperature.

Dimming

The Stasis LED MED is dimmable to 15% with electronic low voltage equipment (ELV dimmers need a neutral connection in the wall box). Recommended ELV Dimmers:

- LUTRON:
 - Diva: DVELV Series
 - Maestro: MAELV Series
 - Nova: NTELV Series
 - Skylark: SELV Series
 LEVITRON:
 - Acenti: ACE Series
 - Illumatech: IPE Series

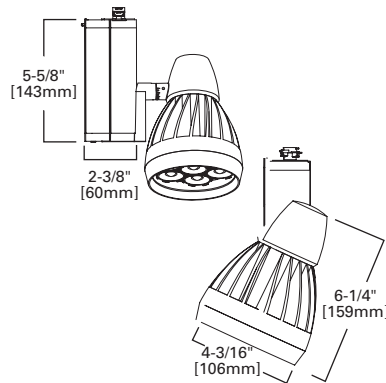
Labels

UL/cUL listed for use with Halo Architectural Power-Trac and Lazer Track. UL/cUL classified for Juno [See Footnote #1 in Ordering Information below], Lightolier [See Footnote #2 below], and Global [See Footnote #3 below] TEK/HTEK Track



**L805MED
Stasis**

**18W
Medium**



| 3000 K | CBCP |
|-------------------------|-------|
| Spot 9° | 39188 |
| Wide Spot 15° | 14251 |
| Narrow Flood 25° | 4198 |
| Flood 40° | 2350 |
| 4000K Multiplier = 1.25 | |

| Lighting Data 3000 K Spot | |
|------------------------------|------|
| Lumens: | 999 |
| Lumens per watt: | 58.1 |
| Watts at 120VAC | 17.2 |

| Energy Data: | |
|----------------|-----------|
| Input Power: | 17W |
| Power Factor: | >0.92 |
| Input Current: | 0.16 Amps |

ORDERING INFORMATION

SAMPLE NUMBER: L805MEDSP840MB277

| Track | Stasis LED | Size | Beam | CRI & CCT | Finish | Voltage | |
|---|--|---------|----------------|---|---|---|---|
| L=Halo Power-Trac L2G=Global® TEK or HTEK ³ | LJ=Juno® Track ¹ LL=Lightolier® Track ² | 805=805 | MED=Medium 17W | FL=Flood 40° NF=Narrow Flood 25° SP=Spot 9° WS=Wide Spot 15° | 927=90CRI, 2700 K 930=90CRI, 3000 K 840=80CRI, 4000 K | AH=Aluminum Haze MB=Black P=White | 277=277V (Only with LA or HTEK) [Blank]=120V |

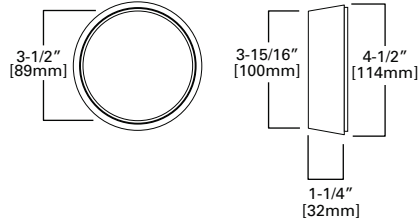
NOTES: 1. Juno® T single circuit and 2-circuit track contact. Juno® is a registered trademark of Juno® Lighting. 2. Lightolier® Lyfespan 6000 single circuit and 2 circuit track contact. Lightolier® is a registered trademark of Philips Lighting. 3. Global® is a registered trademark of Nordic Aluminum.

ACCESSORIES



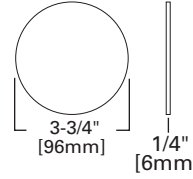
LM10530 Media Holder

Accepts up to 2 pieces of media.



L400 Color Filters

- L411 = Medium Pink Color Filter
- L412 = Warm Red Color Filter
- L420 = Daylight Blue Color Filter
- L421 = Medium Blue Color Filter
- L431 = Medium Amber Color Filter
- L441 = Medium Green Color Filter
- L450 = Solite



PHOTOMETRICS

Color Temp = 3000 K
4000K Multiplier = 1.25

| | 0 deg Aiming Angle Horizontal Footcandles on Floor | | | | | 30 deg Aiming Angle Horizontal Footcandles on Floor | | | | | | 30 deg Aiming Angle Vertical Footcandles on Wall | | | | | | 60 deg Aiming Angle Vertical Footcandles on Wall | | | | | |
|-------------------|---|------|-----|-----|-----|--|------|------|-----|------|-----|---|-----|-----|-----|-----|------|---|------|-----|-----|-----|-----|
| | D | FC | L | W | S | D | FC | L | W | S | CB | D | FC | L | W | S | CB | D | FC | L | W | S | CB |
| Spot: 9° | 5 | 1568 | 0.7 | 0.7 | 1 | 5 | 1018 | 1 | 0.8 | 1 | 2.9 | 3 | 587 | 1.7 | 0.9 | 1.2 | 5.2 | 3 | 2828 | 0.6 | 0.5 | 0.6 | 1.7 |
| CBCP: 39188 | 7.5 | 697 | 1 | 1 | 1.5 | 7.5 | 453 | 1.5 | 1.2 | 1.5 | 4.3 | 4 | 330 | 2.2 | 1.2 | 1.6 | 6.9 | 4 | 1591 | 0.8 | 0.6 | 0.8 | 2.3 |
| Lumens: 999 | 10 | 392 | 1.4 | 1.4 | 2 | 10 | 255 | 2 | 1.6 | 2 | 5.8 | 5 | 211 | 2.8 | 1.5 | 2 | 8.7 | 5 | 1018 | 1 | 0.8 | 1 | 2.9 |
| LpW: 58.1 | 12.5 | 251 | 1.7 | 1.7 | 2.5 | 12.5 | 163 | 2.5 | 2 | 2.5 | 7.2 | 6 | 147 | 3.3 | 1.7 | 2.4 | 10.4 | 6 | 707 | 1.2 | 1 | 1.2 | 3.5 |
| | 15 | 174 | 2 | 2 | 3 | 15 | 113 | 3 | 2.4 | 3 | 8.7 | | | | | | | | | | | | |
| Wide Spot: 15° | 5 | 570 | 1.3 | 1.3 | 1.5 | 5 | 370 | 1.7 | 1.5 | 2 | 2.9 | 3 | 231 | 2.5 | 1.4 | 1.8 | 5.2 | 3 | 1028 | 1 | 0.9 | 1.2 | 1.7 |
| CBCP: 14251 | 7.5 | 253 | 2 | 2 | 2.3 | 7.5 | 165 | 2.5 | 2.3 | 3 | 4.3 | 4 | 130 | 3.3 | 1.9 | 2.4 | 6.9 | 4 | 579 | 1.4 | 1.2 | 1.6 | 2.3 |
| Lumens: 994 | 10 | 143 | 2.7 | 2.7 | 3 | 10 | 93 | 3.4 | 3 | 4 | 5.8 | 5 | 83 | 4.1 | 2.4 | 3 | 8.7 | 5 | 370 | 1.7 | 1.5 | 2 | 2.9 |
| LpW: 58.1 | 12.5 | 91 | 3.3 | 3.3 | 3.8 | 12.5 | 59 | 4.2 | 3.8 | 5 | 7.2 | 6 | 58 | 5 | 2.9 | 3.6 | 10.4 | 6 | 257 | 2 | 1.8 | 2.4 | 3.5 |
| | 15 | 63 | 4 | 4 | 4.5 | 15 | 41 | 5.1 | 4.5 | 6 | 8.7 | | | | | | | | | | | | |
| Narrow Flood: 25° | 5 | 198 | 1.8 | 1.8 | 2.5 | 5 | 128 | 2.3 | 2 | 3 | 2.9 | 3 | 87 | 3.3 | 1.9 | 2.7 | 5.2 | 3 | 357 | 1.4 | 1.2 | 1.8 | 1.7 |
| CBCP: 4198 | 7.5 | 88 | 2.7 | 2.7 | 3.8 | 7.5 | 57 | 3.5 | 3.1 | 4.5 | 4.3 | 4 | 49 | 4.4 | 2.5 | 3.6 | 6.9 | 4 | 201 | 1.9 | 1.6 | 2.4 | 2.3 |
| Lumens: 903 | 10 | 49 | 3.6 | 3.6 | 5 | 10 | 32 | 4.7 | 4.1 | 6 | 5.8 | 5 | 31 | 5.4 | 3.2 | 4.5 | 8.7 | 5 | 128 | 2.3 | 2 | 3 | 2.9 |
| LpW: 51.6 | 12.5 | 32 | 4.5 | 4.5 | 6.3 | 12.5 | 21 | 5.9 | 5.1 | 7.5 | 7.2 | 6 | 22 | 6.5 | 3.8 | 5.4 | 10.4 | 6 | 89 | 2.8 | 2.4 | 3.6 | 3.5 |
| | 15 | 22 | 5.4 | 5.4 | 7.5 | 15 | 14 | 7 | 6.1 | 9 | 8.7 | | | | | | | | | | | | |
| Flood: 40° | 5 | 42 | 2.9 | 2.9 | 4 | 5 | 29 | 3.5 | 3.3 | 4.5 | 2.9 | 3 | 25 | 3.5 | 2.8 | 3.9 | 5.2 | 3 | 80 | 2.1 | 2 | 2.7 | 1.7 |
| CBCP: 2350 | 7.5 | 19 | 4.4 | 4.4 | 6 | 7.5 | 13 | 5.2 | 5 | 6.8 | 4.3 | 4 | 14 | 4.6 | 3.7 | 5.2 | 6.9 | 4 | 45 | 2.8 | 2.6 | 3.6 | 2.3 |
| Lumens: 921 | 10 | 10 | 5.8 | 5.8 | 8 | 10 | 7 | 7 | 6.6 | 9 | 5.8 | 5 | 9 | 5.8 | 4.6 | 6.5 | 8.7 | 5 | 29 | 3.5 | 3.3 | 4.5 | 2.9 |
| LpW: 54.5 | 12.5 | 7 | 7.3 | 7.3 | 10 | 12.5 | 5 | 8.7 | 8.3 | 11.3 | 7.2 | 6 | 6 | 6.9 | 5.5 | 7.8 | 10.4 | 6 | 20 | 4.2 | 4 | 5.4 | 3.5 |
| | 15 | 5 | 8.8 | 8.8 | 12 | 15 | 3 | 10.5 | 9.9 | 13.5 | 8.7 | | | | | | | | | | | | |

Notes and Definitions:

- Beam spread is to 50% center beam candlepower (CBCP.)
- D=Distance in feet to floor or wall.
- FC=Footcandles on floor or wall at center beam aiming location.
- L=Effective Visual Beam length in feet (50% of maximum footcandle level.)
- W=Effective Visual Beam width in feet (50% of maximum footcandle level.)
- CB=Distance in feet across or down to center beam location.

