

# SURE-LITES

## Installation Instructions- SLX Series L.E.D. Exit Signs

For AC and Self Powered, Wall, Ceiling and End Mount

### IMPORTANT SAFEGUARDS

WHEN USING ELECTRICAL EQUIPMENT, BASIC SAFETY PRECAUTIONS SHOULD ALWAYS BE OBSERVED INCLUDING THE FOLLOWING:

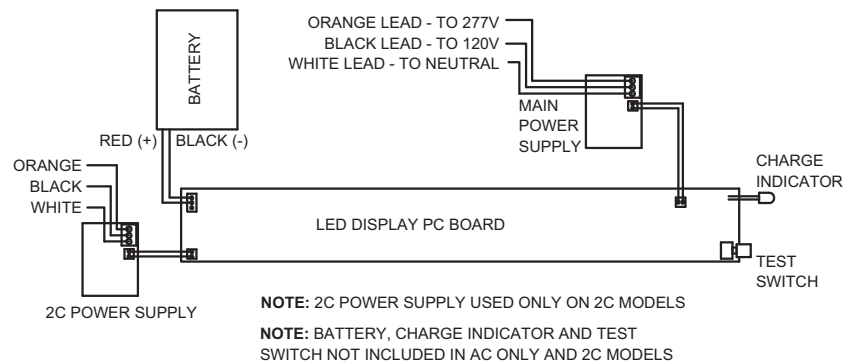
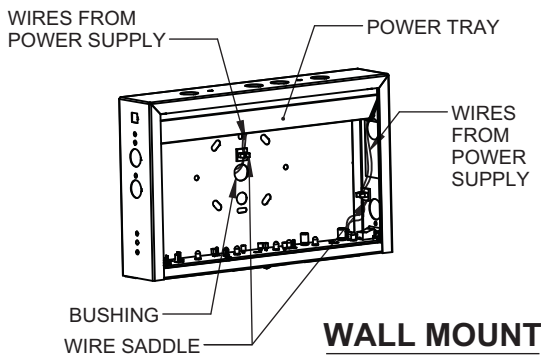
#### 1. READ AND FOLLOW ALL SAFETY INSTRUCTIONS

2. Do not use outdoors.
3. Do not mount near gas or electric heaters.
4. Equipment should be mounted in locations and at heights where it will not readily be subjected to tampering by unauthorized personnel.
5. The use of accessory equipment not recommended by Sure-Lites may cause an unsafe condition.
6. Do not use this equipment for other than its intended purpose.
7. Servicing of any parts should be performed by qualified personnel. Under normal conditions, the LED display is a lifetime unit and does not require replacement. If necessary, LED displays are available from the factory.

#### 8. SAVE THESE INSTRUCTIONS

### WALL MOUNT INSTALLATION

- Step 1.** Extend unswitched 24 hour AC supply of rated voltage to junction box (by others). Leave at least 18 inches of slack. Circuit should not be energized at this time.
- Step 2.** Dissassemble sign by removing bottom screw and sliding the sign stencil and color sheet downward. Remove power tray by placing a screwdriver in the rectangular slot in the upper left or right, and pulling down. Relocate supply wires through power tray to nearest knockout if ceiling or end mounting.
- Step 3.** Knock out the appropriate mounting pattern and wire pass hole to match junction box. Insert bushing into wire access hole to prevent abrasion on supply wires. Mount wire saddle with peel off adhesive backing near access hole and route supply wires through wire saddle and access hole bushing. Bring wires through back of fixture.
- Step 4.** Replace power tray into top of sign frame. Check to make sure that power tray is held securely in place. Reconnect battery and power supply leads to LED circuit board if necessary.
- Step 5.** Connect power supply and ground in accordance with local codes. Wire connections as follows: 277V line to Orange lead; 120V line to Black lead; Neutral to white lead. Ground to Green lead; Cap unused line lead. **Note:** Connections must be in canopy or junction box.
- Step 6.** Mount to junction box.
- Step 7.** Energize AC supply, LED display will come on.
- Step 8.** Replace sign stencil and color sheet and secure in place with bottom screw.
- Step 9.** Remove protective film from color sheet ( if present ) and install sheet in exit stencil so the gloss side will face toward the LED's.



# SURE-LITES

## CEILING OR END MOUNT INSTALLATION:

- Step 1.** Be sure to use Sure-Lites Canopy Kit.
- Step 2.** Follow Instructions 1 and 2 of *WALL MOUNT INSTALLATION*.
- Step 3.** Knock out the appropriate mounting pattern on top or side of exit sign to accommodate canopy.
- Step 4.** Fasten Canopy to Exit Frame by means of two 6/32 screws, lock washers and nuts.
- Step 5.** Screw (2) 8- 32 X 1/2 round head machine screws into adapter plate on 3- 9/32 outer mounting centers.
- Step 6.** Follow step 4 of *WALL MOUNT INSTALLATION*.
- Step 7.** Feed wires through exit-canopy combination and fixture center of adapter plate.
- Step 8.** Follow step 5 of *WALL MOUNT INSTALLATION*. **Note:** Connections must be in canopy or junction box.
- Step 9.** Mount adapter plate to junction box by choosing proper slots and using screws supplied with junction box.
- Step 10.** Mount exit-canopy combination to adapter plate using (2) acorn nuts provided.
- Step 11.** When end mounting, route wires along top and side edges of exit frame and secure wires into wire saddle.
- Step 12.** Follow steps 7 and 8 of *WALL MOUNT INSTALLATION*.

- OPERATION:**
1. To test Self Powered units, depress test switch. LED Display will remain lit when switched to battery power.
  2. Release test switch, LED Display will operate with AC supply

## MAINTENANCE NOTES:

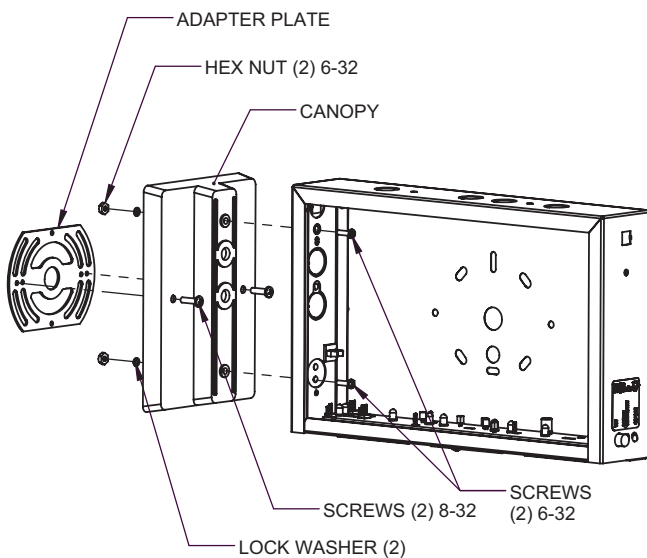
1. Servicing of any parts should be performed by qualified personnel. For replacement parts see fixture label for proper identification of catalog number.
2. Replace batteries every 8 to 10 years according to ambient. Equipment should be tested regularly in accordance with local codes.

**CAUTION:** This equipment is furnished with a sophisticated low voltage battery dropout circuit to protect battery from over discharge after its useful output has been used. Allow 24 hour recharge time after installation or power failure for full load testing.

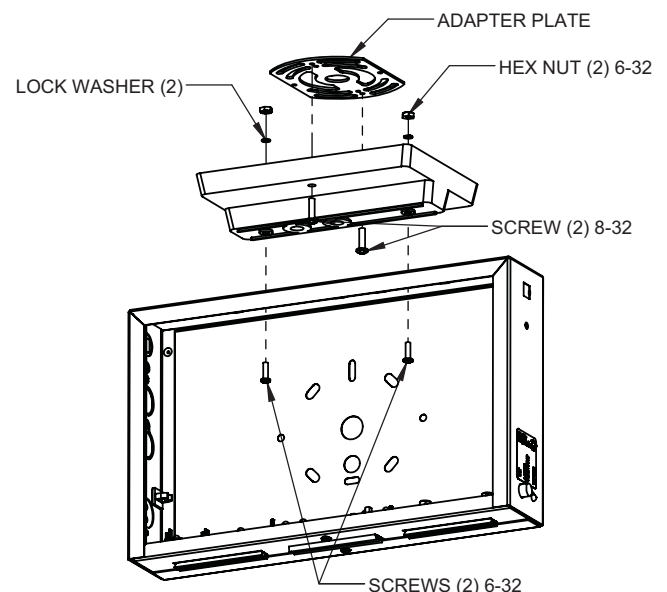
## TROUBLE SHOOTING HINTS:

EMERGENCY LAMPS DO NOT COME ON – PILOT LIGHT OUT BEFORE TEST.

1. Check AC supply - be sure unit has 24 hour AC supply.
2. Pilot light on - Lamps do not light. Either output shorted or overloaded or battery not connected.
3. Battery discharged - permit unit to charge for 24 hours and then retest. If LED DISPLAY is still off, check charger for charge function. If functioning properly, replace battery.



**END MOUNT**



**CEILING MOUNT**