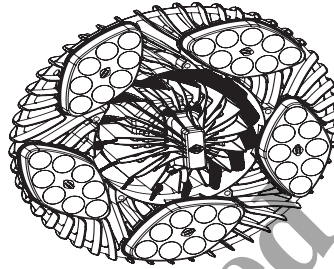


Installation Instructions - Extreme High Bay Installation Manual
Instructions d'installation - Manuel d'installation du luminaire
altitude et robustesse
Instrucciones de instalación - Manual de instalación para áreas de
altura extrema



SAFETY INSTRUCTIONS

Read and understand this entire manual before attempting to assemble, operate, or install the LED Luminaire.

1. All electrical work must conform to the National Electric Code (NEC) and all applicable local codes and ordinances.
2. Only qualified personnel shall install and maintain the luminaires. Ephesus recommends that a licensed electrician install and maintain the luminaire. Verify the safety of existing power distribution system before beginning installation. FAILURE TO FOLLOW OPERATING INSTRUCTIONS MAY LEAD TO DEATH, SEVERE INJURY, OR PROPERTY DAMAGE.

WARNING

Turn off power before performing any electrical or control work. FAILURE TO FOLLOW THIS WARNING MAY LEAD TO DEATH, SEVERE INJURY, OR PROPERTY DAMAGE.

DO NOT modify the luminaire. Any open holes may lead to water intrusion and damage the luminaire.

WARNING

Follow all applicable safety procedures and use Personal Protective Equipment such as hardhats, safety glasses, reflective vests, electrical safety gloves, fall protection equipment and safety toe boots during the installation, operation, and maintenance of the luminaire. FAILURE TO FOLLOW THIS WARNING MAY LEAD TO DEATH, SEVERE INJURY, OR PROPERTY DAMAGE.

WARNING

Risk of eye injury! The high intensity light produced by the luminaire can cause severe damage to the eye if viewed directly at close range. Avoid being in front of a luminaire that is on or wear suitable light blocking protective eyewear such as welding goggles.

⚠ WARNING

LED luminaire housings can become very hot after continuous operation. To avoid burns to fingers and hands make sure the LED luminaire has adequate time to cool before performing maintenance.

PRODUCT SPECIFICATIONS

The Ephesus Extreme High Bay luminaire is designed for harsh environments, including extreme temperatures, corrosive and humid environments. It's also ideal for high mounting heights – even those in excess of 100 feet. Over temperature protection, allows the wattage to decrease in response to increasing ambient temperatures to ensure reliability and continued operation in hot environments. Optional advanced controls allow for individual or group diming in addition to instant on and off.

The Extreme High Bay is designed to meet or exceed the following standards:

- IP66
- NEMA 4X
- UL 1598 wet locations
- ANSI C136.31-2010 3G Bridge overpass vibration (with surface mount option)

REQUIRED MATERIALS & TOOLS

Table 3: Required Materials provided by the installer
EP-2000 or equal waveform correction device (power dependent)
Mounting Hardware (3/4" NPT mount)
Power cable
Electrical splicing connectors
Cable ties or wire management
Control wires (wired control only)
Wrenches sized to fit mounting hardware
3/16" Hex Allen wrench
7/16" Socket Wrench
Torque wrench rated to a minimum of 35 ft-lbs

STORAGE

Store luminaires in a clean, dry place, protected from dirt, water, and sunlight. See Table 1 for required storage and operating conditions:

Storage Temperature	Operating Temperature	Humidity
-40°C to +75°C (-40°F to 167°F)	High Ambient: -40°C to +65°C (-40°F to 149°F) High Output: -40°C to +50°C (-40°F to 122°F)	5% to 95% non-condensing

Table 1. Storage and Operating Conditions

SUPPLY POWER SPECIFICATIONS

Ephesus LED luminaires are not traditional incandescent lights, they are high-tech, new generation solid-state devices. To protect your valuable investment, the electrical power shall be clean and have stable voltage and current and undistorted waveforms.

Power Configuration

The power transformer secondary feeding the electrical distribution system must be a three-phase, four-wire wye configuration. If any other transformer configuration is present, notify Ephesus before proceeding with installation.

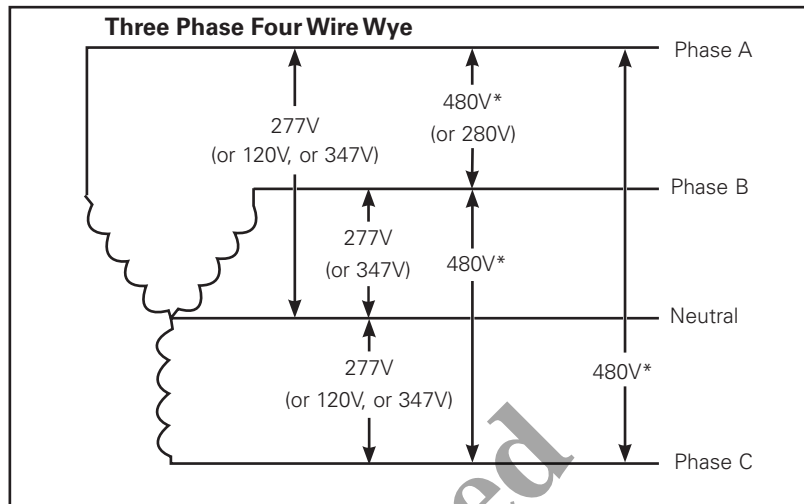


Figure 1. Acceptable Power Configurations

⚠ WARNING

Follow proper grounding methods: Electrical system must be grounded. If you are not sure if your power system is grounded, DO NOT install the luminaire. Contact a licensed electrician for information on proper grounding methods as required by the electrical code. FAILURE TO FOLLOW THIS WARNING MAY LEAD TO DEATH, SEVERE INJURY, OR PROPERTY DAMAGE.

Circuit Voltage

Branch power circuits feeding luminaires shall be 277V, 347V, or 480VAC only.

⚠ WARNING

Do not attempt to connect luminaires to any circuits with nominal voltage below 277V or above 480VAC. FAILURE TO FOLLOW THIS WARNING MAY LEAD TO LUMINAIRE INTERNAL DAMAGE AND FAILURE.

The voltage on the lighting circuits must stay within 3% of nominal at 60Hz. Voltage that is consistently too high or low shall be corrected before LED luminaires are installed.

Fusing

If individual branch circuit protection is required, Table 2 shows the minimum fuse ratings for each individually circuited luminaire.

Circuit Voltage (VAC)	Minimum Fuse Rating (amps)
277	4
347	4
480	3

Table 2. Minimum Fuse Ratings

Installation Instructions - Extreme High Bay Installation Manual

Power Quality

High frequency voltage shall be below -40dB or .01V between 3KHz and 100KHz.

High frequency current shall be below -50dB or .019A between 3KHz and 100KHz.

If you require assistance in checking your power system or designing or implementing solutions, contact Cooper Lighting Solutions' Electrical Engineering Services and Systems. Find more information at www.cooperlighting.com.

Failure to ensure power quality requirements shall void warranty.

INSTALLATION INSTRUCTIONS

Refer to photometric drawings or project installation instructions for luminaire locations and mounting configuration.

WARNING

- Luminaire housings can become very hot. Luminaire must be mounted clear of any flammable or temperature sensitive objects.
- Luminaire performance will be decreased if placed directly next to a solid object that does not allow air circulation through the fins of the heat sink.
- It is the responsibility of the installer to verify that all proposed mounting structures are certified to support the weight of the luminaires and meet all applicable codes and regulations. FAILURE TO FOLLOW THIS WARNING MAY LEAD TO DEATH, SEVERE INJURY, OR PROPERTY DAMAGE.
- Do not suspend any luminaire by electrical or control wires, as these will not support the weight of the fixture, resulting in the potential for the fixture to fall and cause damage or injury. FAILURE TO FOLLOW THIS WARNING MAY LEAD TO DEATH, SEVERE INJURY, OR PROPERTY DAMAGE.
- The fixture must be powered off during the installation process. FAILURE TO FOLLOW THIS WARNING MAY LEAD TO LUMINAIRE INTERNAL DAMAGE AND FAILURE.

MOUNTING OPTION 1 - PENDANT MOUNTING

1. Remove the two junction box screws using a 3/16" hex Allen wrench (Figure 2).

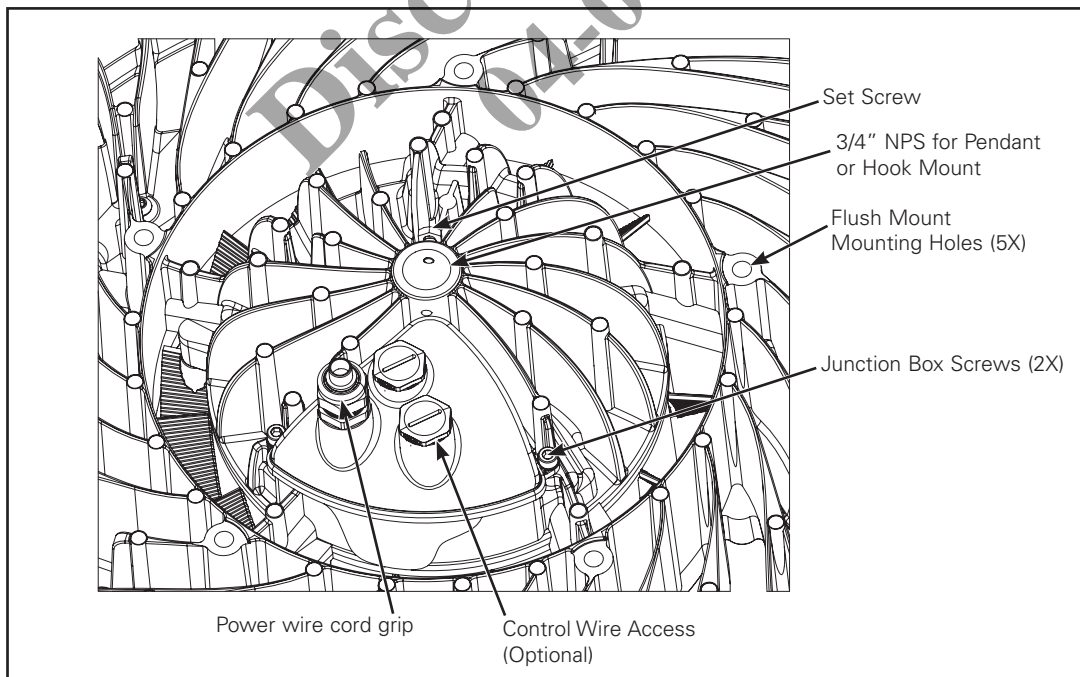


Figure 2.

2. Pull wire through the central hole and wire pass through in the luminaire.

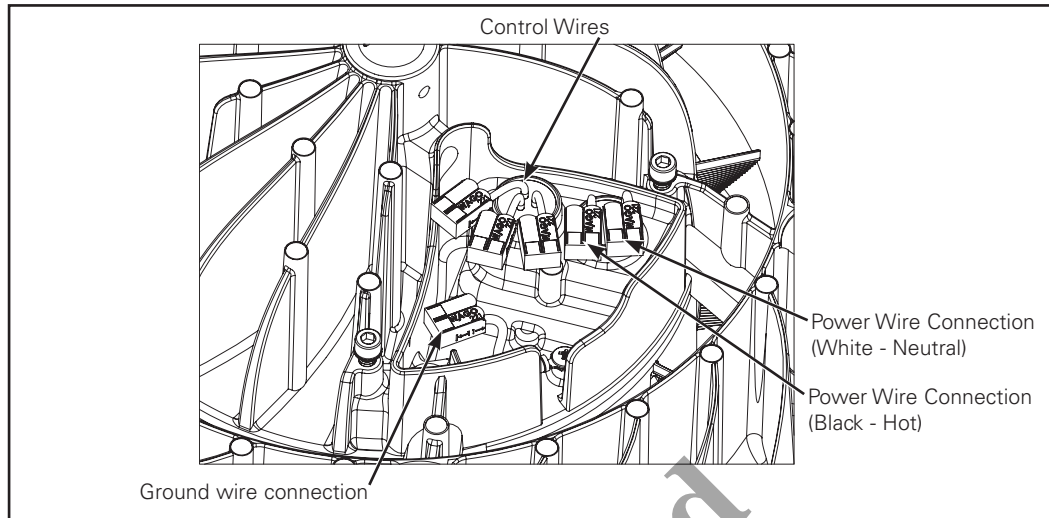


Figure 3.

3. Thread the led luminaire onto the 3/4" NPT conduit until tight.
4. Tighten the set screw using a 7/16" socket wrench. Torque to 35 in-lbs.

⚠ WARNING

Failure to tighten the set screw may allow the luminaire to come loose and fall.

MOUNTING OPTION 2 – CONDUIT HOOK MOUNTING

1. Thread the 3/4" NPT conduit hook into the luminaire until tight (Figure 4).
2. Tighten the set screw using a 7/16" socket wrench. Torque to 35 in-lbs.

⚠ WARNING

Failure to tighten the set screw may allow the fixture to come loose and fall.

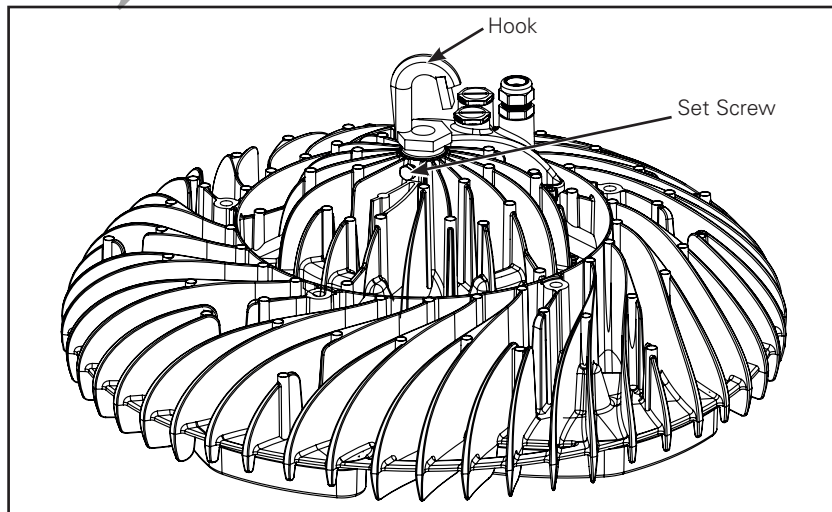


Figure 4.

MOUNTING OPTION 3 – SURFACE MOUNT

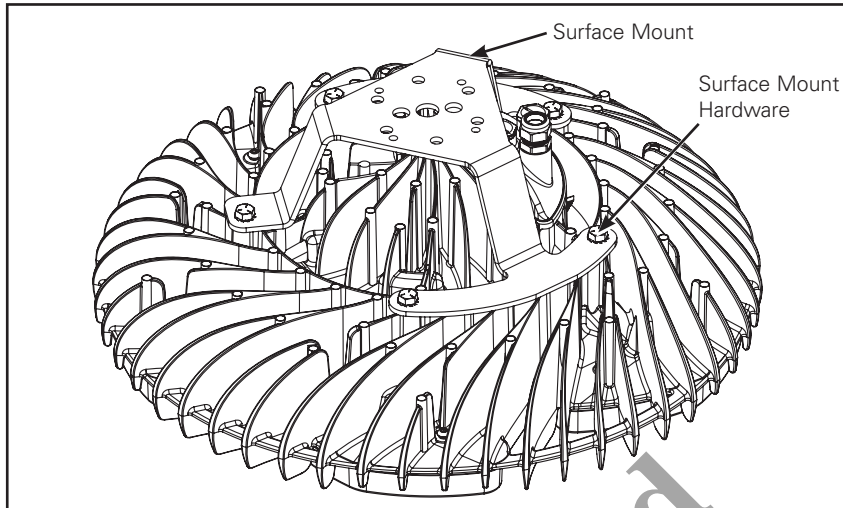


Figure 5.

1. Attach Cooper Lighting Solutions Knuckle Mount CLP-1034D10 or 1007D53 to Surface Mount using supplied hardware.
2. Tighten the hardware to 13-15 in-lbs.
3. Attach Knuckle mount to supporting structure.

⚠ WARNING

Failure to tighten the hardware may allow the fixture to come loose and fall.

Electrical Connections

⚠ WARNING

Never connect the luminaire to an electrical system that is not grounded. Installing a luminaire in an ungrounded electrical system could allow the metal housing to become energized in the event of an electrical short, resulting in the risk of electrical shock for anyone who comes into contact with the luminaire. FAILURE TO FOLLOW THIS WARNING MAY LEAD TO DEATH, SEVERE INJURY, OR PROPERTY DAMAGE.

Power wiring

Incoming power cable shall be SOOW style 3C cable with a minimum of 14AWG annealed stranded bare copper per ASTM B-174 with a minimum temperature range of -40°C to +90°C. Cable must be water resistant, UL listed and CSA certified for indoor and outdoor use.

1. Route incoming power cable through the cord grip in the junction box cover if not using a pendant mount.
2. Strip outer jacket of incoming power cable back 3". Connect the incoming power wires to the luminaire power wires within the junction box.

Power Wire Color Luminaire	Designation
Black	Line
White	Line or Neutral
Green	Ground

Table 4. Power wiring connections

⚠ WARNING

NEVER connect the bare or green insulation ground wire to the black (HOT) current-carrying or white (NEUTRAL) supply wire, as this could energize the metal housing and create the risk of electrical shock. FAILURE TO FOLLOW THIS WARNING MAY LEAD TO DEATH, SEVERE INJURY, OR PROPERTY DAMAGE.

⚠ WARNING

Do not damage or cut the wire insulation (covering) during installation. Do not permit wires to contact any surface having a sharp edge, as this may damage the wire insulation and create the risk of electrical shock. FAILURE TO FOLLOW THIS WARNING MAY LEAD TO DEATH, SEVERE INJURY, OR PROPERTY DAMAGE.

Control Wiring

⚠ WARNING

Always turn power to luminaire OFF before performing any work on control wiring. Turn transmitters off before working on main control lines. Performing any work on control connections while fixtures are receiving the signal may result in transient or fluttering control signals which can cause damage to the luminaire. FAILURE TO FOLLOW THIS WARNING MAY LEAD TO LUMINAIRE INTERNAL DAMAGE AND FAILURE.

⚠ WARNING

Use caution when connecting any 24AWG wires as they are more prone to breaking. 24 AWG may be used in terminal blocks. If wire will be connected with wire nut, wago connector, or other mechanical splices, use 22AWG wire.

1. If wired controls are required, route the incoming control line into the left side of the luminaire junction box by removing the plug and routing through ½" cord grip. Secure the cord in the grip by hand tightening the sealing nut as far as possible. Hold the body hex stationary with a wrench, using a second wrench; tighten the sealing nut until the cable is securely held in place.
2. Connect the incoming control wires to the applicable luminaire control wires. See Table 5 below for identification of wires on luminaire.

Luminaire control wire color	Designation
Purple	Data +
Grey	Data -
Yellow	Shield

Table 5. Control Wiring Connections

Junction box

1. Ensure all power and control wires are securely terminated and there are no exposed conductors. Carefully push power and control wires down into the junction box to ensure no wires get pinched by the cover.
2. Replace the junction box and Qty. (2) junction box screws and lock washers. Torque junction box screws to 40 in-lbs.

XHB SAFETY CABLE INSTALLATION

The optional XHB safety cable will provide additional safety protection from an improperly installed luminaire or a weak mounting structure. It shall be utilized only as a secondary safety and not the primary means of mounting.

Cable Options:

- Gripple Hanger with 1/8" diameter cable and loop termination
 - Part Number: Gripple Loop Hanger No. 3

Installation:

1. The cable must be looped around the thick heat sink ring and back onto itself as shown in the figures below.
2. Affix to secondary structure that is sufficient enough to support the luminaire shall it be necessary.

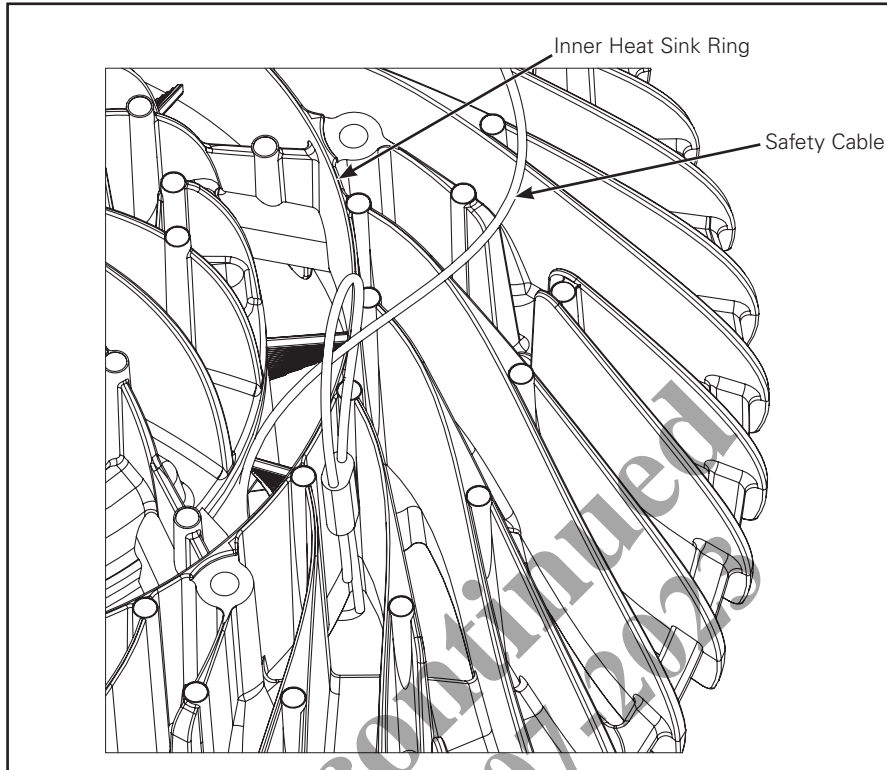


Figure 6.

CARE AND MAINTENANCE

All Extreme high bay fixtures have a powder-coated finish. The finish on exterior luminaires may weather over time, depending on the environmental conditions at the installation site. Proper care of the luminaires will maintain their performance and appearance.

The buildup of dirt and debris on the heat sink can hinder the performance of the LED luminaire. Excess build-up within the heat sink fins can cause the lumen output to automatically decrease in order to protect the luminaire from overheating. Follow a regular maintenance schedule to retain optimal light output and thermal performance. Remove any dirt, leaves and other foreign debris from the luminaire housing. Wipe the optical lenses with a clean, dry, cotton cloth to remove dust and other contaminants. A non-abrasive polycarbonate cleanser may be used periodically.

WARNING

Do NOT use any abrasives such as car wax, brass cleaners or other polishes or chemicals. These may scratch, remove, or damage the protective coating, allowing moisture and pollutants to come into contact with the aluminum, possibly discoloring or pitting the finish.

TROUBLESHOOTING

⚠ WARNING

Before performing any work on the luminaire, shut off the power circuit, verify the power is off with a multimeter, and wait 2 minutes or until fixture is sufficiently cool to the touch before handling luminaire to avoid electrical shock or burns. FAILURE TO FOLLOW THIS WARNING MAY LEAD TO DEATH, SEVERE INJURY, OR PROPERTY DAMAGE.

Symptom	Possible Cause	Corrective Action
No Light Output	Power is off	Check If Circuit Power is on.
	Bad Wire Connection.	Check Input Wiring Connections.
	Control Signal Set to 0	Verify Control Signal
Fuse Blows Or Circuit Breaker Trips	Crossed Wires or a Supply Wire is Grounding Out.	Check Wiring Connections.
	Improperly Sized Fuse or Breaker	Refer to Table 2

Table 6. Troubleshooting Guide

*Discontinued
04-07-2023*

CONSIGNES DE SÉCURITÉ

Entièrement lire et comprendre ce manuel avant de tenter d'assembler, de faire fonctionner ou d'installer le luminaire DEL.

1. Tout le travail électrique doit être accompli conformément au Code National de L'Électricité (NEC) et à tout autre code ou norme locale applicable.
2. Seul le personnel qualifié doit installer et entretenir les luminaires. Ephesus recommande de faire appel à un électricien qualifié pour installer et entretenir le luminaire. Vérifier l'état du réseau de distribution d'énergie en place avant de commencer l'installation. OMETTRE DE SUIVRE LES INSTRUCTIONS PEUT ENGENDRER LA MORT, DES BLESSURES GRAVES OU DES DOMMAGES MATÉRIELS.

AVERTISSEMENT

Couper l'alimentation avant d'effectuer tout travail électrique ou d'entretien. IGNORER CET AVERTISSEMENT PEUT ENGENDRER LA MORT, DES BLESSURES GRAVES OU DES DOMMAGES MATÉRIELS.

NE PAS modifier le luminaire. Toute fente peut engendrer une infiltration d'eau et endommager le luminaire.

AVERTISSEMENT

Pendant l'installation et l'entretien du luminaire, suivre toutes les procédures de sécurité applicables et utiliser de l'équipement de protection personnel comme des casques et des lunettes de sécurité, des gilets réflecteurs, des gants de sécurité, de l'équipement de prévention des chutes et des bottes à embouts d'acier. IGNORER CET AVERTISSEMENT PEUT ENGENDRER LA MORT, DES BLESSURES GRAVES OU DES DOMMAGES MATÉRIELS.

AVERTISSEMENT

Risque de blessures au niveau des yeux! Une exposition directe et de près à la lumière à haute intensité produite par le luminaire peut engendrer des blessures sévères au niveau des yeux. Éviter de se tenir près d'un luminaire allumé ou porter de l'équipement de protection pour les yeux adéquat comme des lunettes de soudeur.

AVERTISSEMENT

Les caissons des luminaires DEL peuvent devenir très chauds à l'occasion d'un fonctionnement prolongé. Pour éviter des brûlures au niveau des doigts et des mains, laisser le luminaire DEL refroidir suffisamment avant l'entretien.

CARACTÉRISTIQUES DU PRODUIT

Le luminaire altitude et robustesse de Ephesus est conçu pour les conditions difficiles, notamment les températures extrêmes, la corrosion et les environnements humides. Il est aussi idéal pour être installé à une hauteur supérieure à 30,4 m (100 pi). Il est doté d'une protection contre les surchauffes faisant diminuer le wattage lorsqu'une hausse de la température ambiante est détectée afin de garantir sa fiabilité et son fonctionnement continu. Les options avancées permettent l'ajustement de la luminosité individuellement ou pour plusieurs luminaires et la mise sous et hors tension instantanée.

Le luminaire altitude et robustesse est conçu pour surpasser ou pour se conformer aux standards suivants:

- IP66
- NEMA 4X
- UL 1598 pour endroits mouillés
- ANSI C136.31-2010 3G vibrations de ponts et viaducs (avec option de montage en surface)

MATÉRIEL ET OUTILS NÉCESSAIRES

Tableau 3: matériel requis fourni par l'installateur
EP-2000 ou appareil de correction de forme d'onde similaire (alimentation externe)
Ferrures de fixation (ferrures avec filetage NPT de 11,4 mm (3/4 po))
Câble d'alimentation
Connecteurs à épissure aboutée
Attache-câbles ou gestion des câbles
Câbles de commande (commande par câbles seulement)
Clés à molette de tailles correspondant aux ferrures de fixation
CLÉ hexagonale de 4,8 mm (3/16 po)
CLÉ à douilles de 11,1 mm (7/16 po)
Clé dynamométrique classée à un minimum de 47,45 Nm (35 pi-lb)

ENTREPOSAGE

Entreposer les luminaires dans un endroit propre, sec et à l'abri de la poussière, de l'eau et du soleil. Voir le tableau 1 pour les conditions d'entreposage et de fonctionnement:

Température d'entreposage	Température de fonctionnement	Humidité
-40°C à +75°C (-40°F à 167°F)	Température élevée: -40°C à +65°C (-40°F à 149°F) Flux élevé: -40°C à +50°C (-40°F à 122°F)	5 % à 95 % sans condensation

Tableau 1. Conditions d'entreposage et de fonctionnement

SPÉCIFICATIONS CONCERNANT L'ALIMENTATION

Les luminaires DEL de Ephesus ne sont pas des lumières incandescentes ordinaires, il s'agit de dispositifs à la fine pointe de la technologie, de dernière génération et à semi-conducteur. Afin de protéger cet investissement considérable, l'alimentation électrique doit être propre et avoir un courant et une tension stables ainsi qu'une forme d'onde sans distorsions.

Configuration d'alimentation

Le transformateur de puissance fournissant l'alimentation secondaire au réseau de distribution d'énergie doit être de configuration triphasée quatre fils. Avertir Ephesus avant de procéder à l'installation si une autre configuration de transformateur est en place.

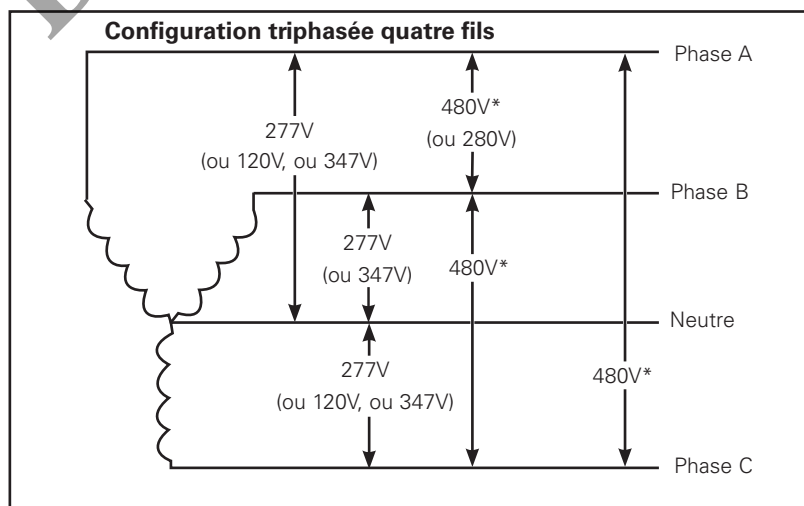


Figure 1. Configurations d'alimentation acceptables

⚠ AVERTISSEMENT

Respecter les méthodes de mise à la terre adéquates: le système électrique doit être mis à la terre. NE PAS installer le luminaire en cas de doute concernant la mise à la terre du système d'alimentation. Communiquer avec un électricien qualifié pour de l'information sur les méthodes de mise à la terre conformes au code de l'électricité. IGNORER CET AVERTISSEMENT PEUT ENGENDRER LA MORT, DES BLESSURES GRAVES OU DES DOMMAGES MATÉRIELS.

Tension du circuit

Les circuits d'alimentation de dérivation qui alimentent les luminaires doivent avoir une tension de 277 V, 347 V, ou 480 VAC exclusivement.

⚠ AVERTISSEMENT

Ne jamais tenter de brancher les luminaires à un circuit ayant une tension nominale moindre que 277 V ou 480 VAC. IGNORER CET AVERTISSEMENT PEUT ENGENDRER DES DOMMAGES INTERNES OU UNE PANNE DU LUMINAIRE.

La tension du circuit d'éclairage doit afficher une valeur nominale de 3 % à 60 Hz. Une tension constamment trop élevée ou trop basse doit être corrigée avant l'installation de luminaires DEL.

Fusibles

Le Tableau 2 indique les valeurs de fusibles minimales s'appliquant à chaque circuit de luminaire si une protection du circuit de dérivation se révèle nécessaire.

Tension du circuit (VAC)	Valeur de fusible minimale (ampères)
277	4
347	4
480	3

Tableau 2. Valeur de fusible minimale

Qualité énergétique

La tension haute fréquence doit rester sous les -40dB ou 0,01V entre 3kHz et 100kHz.

Le courant haute fréquence doit rester sous les -50vdB ou 0,019A entre 3kHz et 100kHz.

Pour de l'assistance concernant la vérification du système d'alimentation ou pour élaborer ou mettre en place des solutions, contacter les services de génie électrique de Cooper Lighting Solutions. Information supplémentaire au www.cooperlighting.com.

Omettre d'appliquer les normes de qualité énergétique annulera la garantie.

INSTRUCTIONS D'INSTALLATION

Se référer aux schémas photométriques ou aux instructions d'installation de projet pour les emplacements et la configuration de montage d'un luminaire.

AVERTISSEMENT

- Les boîtiers des luminaires peuvent devenir très chauds. Les luminaires doivent être installés à une distance respectable de tout élément inflammable ou sensible à la température.
- L'efficacité du luminaire sera affectée si celui-ci est installé à proximité d'un objet solide ne laissant pas l'air circuler à travers les ailettes du dissipateur thermique.
- Il incombe à l'installateur de vérifier que toutes les structures de montage proposées sont certifiées pour supporter le poids des luminaires et sont conformes à tous les codes et à toute la réglementation applicables. **IGNORER CET AVERTISSEMENT PEUT ENGENDRER LA MORT, DES BLESSURES GRAVES OU DES DOMMAGES MATÉRIELS.**
- Ne jamais suspendre un luminaire par ses raccords électriques ou de commande, ceux-ci ne supporteront pas le poids du luminaire et pourraient entraîner sa chute et causer des dommages ou des blessures. **IGNORER CET AVERTISSEMENT PEUT ENGENDRER LA MORT, DES BLESSURES GRAVES OU DES DOMMAGES MATÉRIELS.**
- Le luminaire doit être débranché pendant l'installation. **IGNORER CET AVERTISSEMENT PEUT ENGENDRER DES DOMMAGES INTERNES OU UNE PANNE DU LUMINAIRE.**

OPTION DE MONTAGE 1 – MONTAGE SUSPENDU

1. Retirer les deux vis de la boîte de jonction à l'aide d'une clé hexagonale de 4,8 mm (3/16 po) (Figure 2).

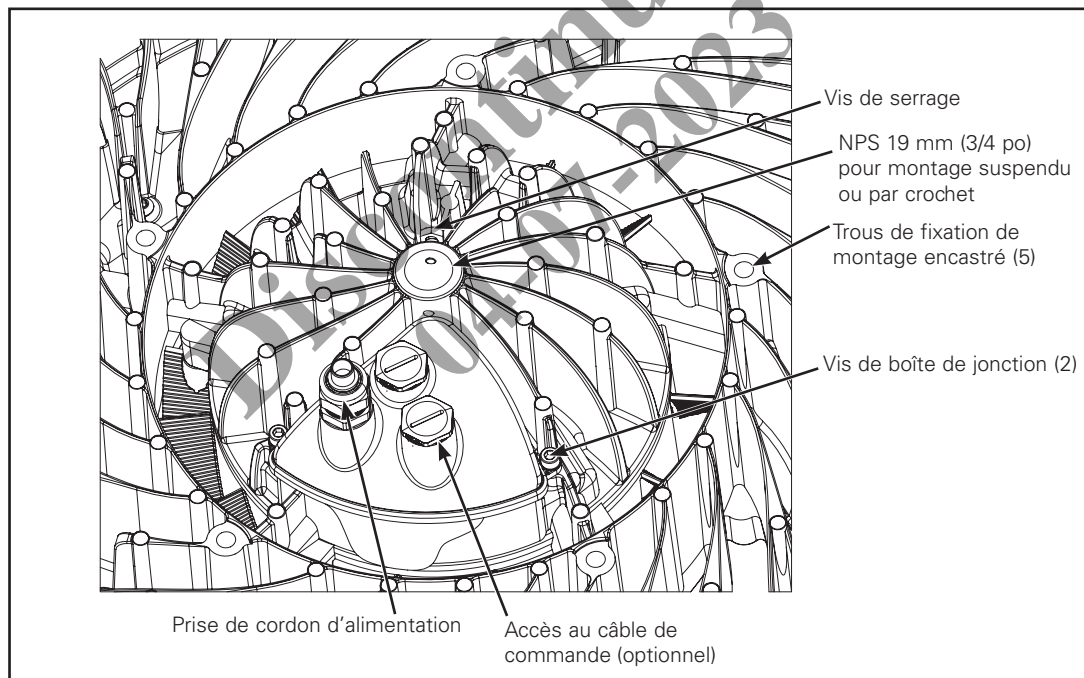


Figure 2.

2. Tirer le câble par le trou central et le faire passer dans le luminaire.

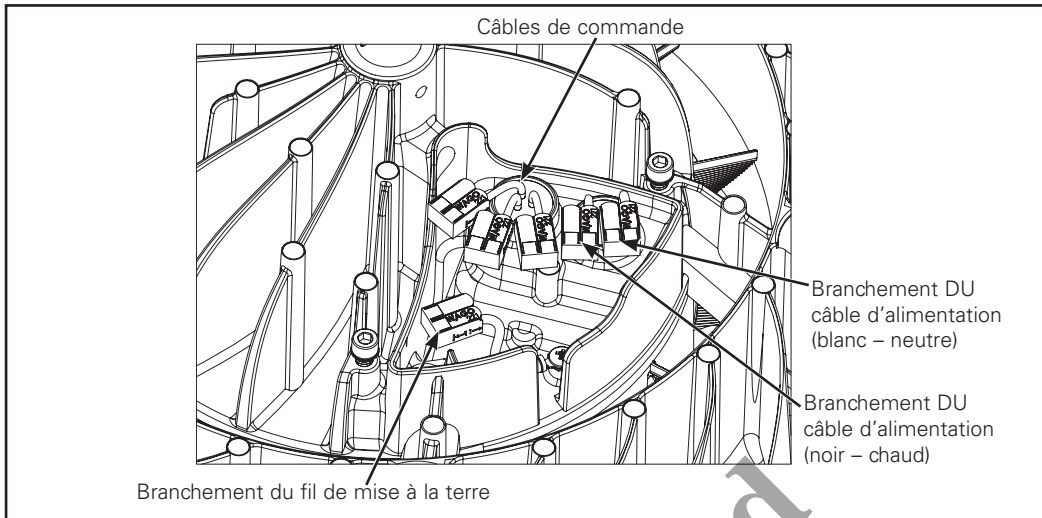


Figure 3.

3. Visser le luminaire DEL au conduit NPT de 19 mm (3/4 po) jusqu'à ce qu'il soit serré.
4. Serrer les vis d'ajustement à l'aide d'une clé à douilles de 11,1 mm (7/16 po). Serrer à un couple de 47,45 Nm (35 po-lb).

⚠ AVERTISSEMENT

Omettre de serrer les vis d'ajustement peut engendrer la chute du luminaire après qu'il se soit desserré.

OPTION DE MONTAGE 2 – MONTAGE AVEC CROCHET DE CONDUIT

1. Visser le conduit NPT de 19 mm (3/4 po) au luminaire jusqu'à ce qu'il soit serré (Figure 4).
2. Serrer les vis d'ajustement à l'aide d'une clé à douilles de 11,1 mm (7/16 po). Serrer à un couple de 47,45 Nm (35 po-lb).

⚠ AVERTISSEMENT

Omettre de serrer les vis d'ajustement peut engendrer la chute du luminaire après qu'il se soit desserré.

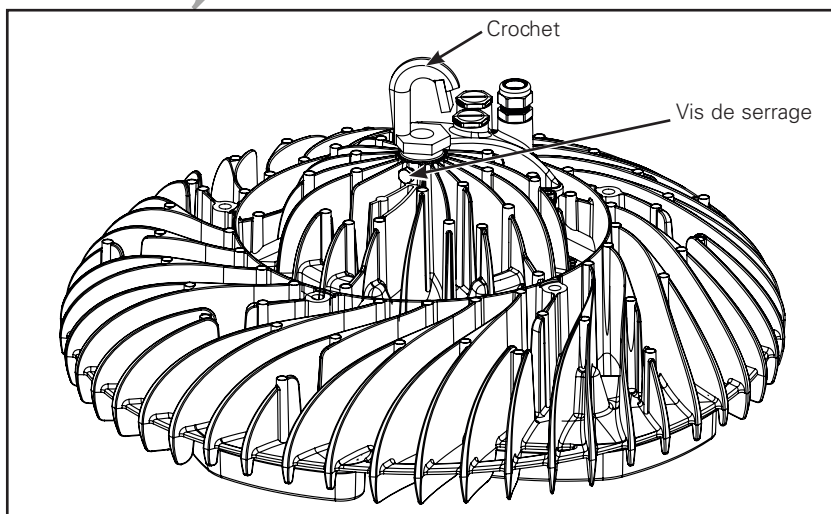


Figure 4.

OPTION DE MONTAGE 3 – MONTAGE EN SURFACE

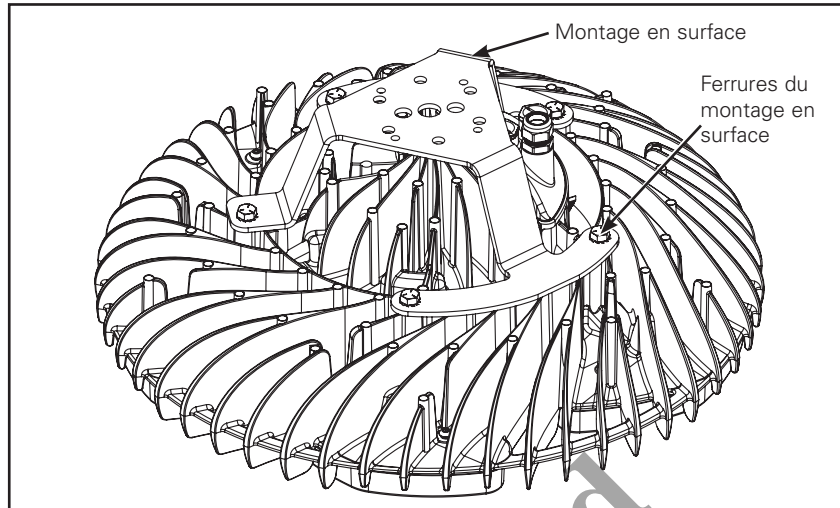


Figure 5.

1. Fixer le montage sur articulation CLP-1034D10 ou 1007D53 de Cooper Lighting Solutions au montage en surface en utilisant les ferrures fournies.
2. Serrer les ferrures entre 17,62 et 20,33Nm (13 et 15 p.lb).
3. Fixer le montage sur articulation à la structure de soutien.

⚠ AVERTISSEMENT

Omettre de serrer les ferrures peut engendrer la chute du luminaire après qu'il se soit desserré.

Raccords électriques

⚠ AVERTISSEMENT

Ne jamais brancher le luminaire à un système électrique n'étant pas mis à la terre. Installer un luminaire sur un système électrique n'étant pas mis à la terre peut mener à l'électrification du boîtier métallique en cas de court circuit et engendrer un risque de décharge électrique pour toute personne entrant en contact avec le luminaire. IGNORER CET AVERTISSEMENT PEUT ENGENDRER LA MORT, DES BLESSURES GRAVES OU DES DOMMAGES MATÉRIELS.

Câblage d'alimentation

Les câbles d'alimentation doivent être de type SOOW 3C avec au minimum du cuivre nu toronné et recuit de 14AWG conformément à la norme B-174 de l'ASTM avec une gamme de température minimale de -40°C à +90°C. Le câble doit être hydrofuge et homologué UL et CSA pour utilisation intérieure et extérieure.

1. Faire courir le câble d'alimentation d'entrée par la prise de cordon dans le couvercle de la boîte de jonction s'il ne s'agit pas d'un montage suspendu.
2. Dégainer l'extérieur de câble d'alimentation d'entrée sur une longueur de 7,62cm (3po). Connecter les câbles d'alimentation d'entrée aux câbles d'alimentation du luminaire à l'intérieur de la boîte de jonction.

COULEUR des CÂBLES d'alimentation DU luminaire	Désignation
Noir	Sous tension
Blanc	Sous tension ou neutre
Vert	Mise à la terre

Tableau 4. Branchement du câblage d'alimentation

⚠ AVERTISSEMENT

NE JAMAIS brancher le fil de mise à la terre isolé nu ou vert au câble sous tension noir (CHAUD) ou au fil d'alimentation blanc (NEUTRE), car il pourrait en résulter une électrifcation du boîtier de métal créant ainsi un risque de décharge électrique. IGNORER CET AVERTISSEMENT PEUT ENGENDRER LA MORT, DES BLESSURES GRAVES OU DES DOMMAGES MATÉRIELS.

⚠ AVERTISSEMENT

Ne pas endommager ou couper l'isolant du câble (gaine) pendant l'installation. Ne jamais permettre aux câbles de frotter sur un rebord tranchant, car l'isolation du câble pourrait être endommagée créant ainsi un risque de décharge électrique. IGNORER CET AVERTISSEMENT PEUT ENGENDRER LA MORT, DES BLESSURES GRAVES OU DES DOMMAGES MATÉRIELS.

Câblage de commande

⚠ AVERTISSEMENT

Toujours mettre le luminaire HORS TENSION avant d'effectuer du travail sur le câblage de commande. Éteindre les transmetteurs avant de travailler sur les principaux câbles de commande. Effectuer des travaux sur les branchements de commande alors que les appareils reçoivent des signaux peut donner lieu à des signaux de commande transitoires ou intermittents pouvant endommager le luminaire. IGNORER CET AVERTISSEMENT PEUT ENGENDRER DES DOMMAGES INTERNES OU UNE PANNE DU LUMINAIRE.

⚠ AVERTISSEMENT

Faire preuve de prudence lors du branchement de câbles 24 AWG ils sont plus susceptibles de se rompre. Les câbles 24 AWG peuvent être utilisés dans les borniers. Utiliser des câbles 22 AWG pour des branchements à l'aide de serre fils, de connecteurs WAGO ou d'autres épissures mécaniques.

1. Si des commandes par câbles sont nécessaires, faire passer les câbles de commande du côté gauche de la boîte de jonction du luminaire en retirant le protecteur et en les passant à travers la prise de cordon de 12,7 mm (1/2 po). Fixer le câble dans la prise en serrant à la main l'écrou d'étanchéité aussi loin que possible. Maintenir le corps six-pans en place à l'aide d'une clé puis, avec une seconde clé, serrer l'écrou d'étanchéité jusqu'à ce que le câble soit solidement fixé.
2. Brancher les câbles de commande aux câbles de commande du luminaire correspondants. Voir le tableau 5 ci-dessous pour la correspondance des câbles du luminaire.

Couleur du câble de commande du luminaire	Désignation
Violet	Données +
Gris	Données -
Jaune	Protecteur

Tableau 5. Branchement du câblage de commande

Boîtier de jonction

1. Vérifier que tous les câbles d'alimentation et de commande sont convenablement raccordés et qu'aucun conducteur n'est exposé. Glisser minutieusement les câbles d'alimentation et de commande dans la boîte de jonction de manière à garantir qu'aucun câble ne se retrouve coincé dans le couvercle.
2. Replacer la boîte de jonction, les deux vis de boîte de jonction et les deux rondelles de blocage. Serrer les vis de boîte de jonction à 54,23 Nm (40 po-lb).

INSTALLATION DU FIL DE SÉCURITÉ XHB

Le fil de sécurité optionnel XHB fournira une protection additionnelle en cas d'installation inadéquate du luminaire ou d'une structure de montage défailante. Il doit être utilisé à titre de protection redondante exclusivement et non comme support principal.

Options de câblage:

- Support Gripple avec câble de 3,1mm (1/8po) de diamètre et terminaison en boucle
 - Référence de pièce: Support en boucle Gripple N°3

Installation:

1. Le câble doit être enfilé autour de l'anneau dissipateur de chaleur, puis autour de lui-même comme indiqué à la figure ci-dessous.
2. Fixer à une seconde structure en mesure de supporter le poids du luminaire si nécessaire.

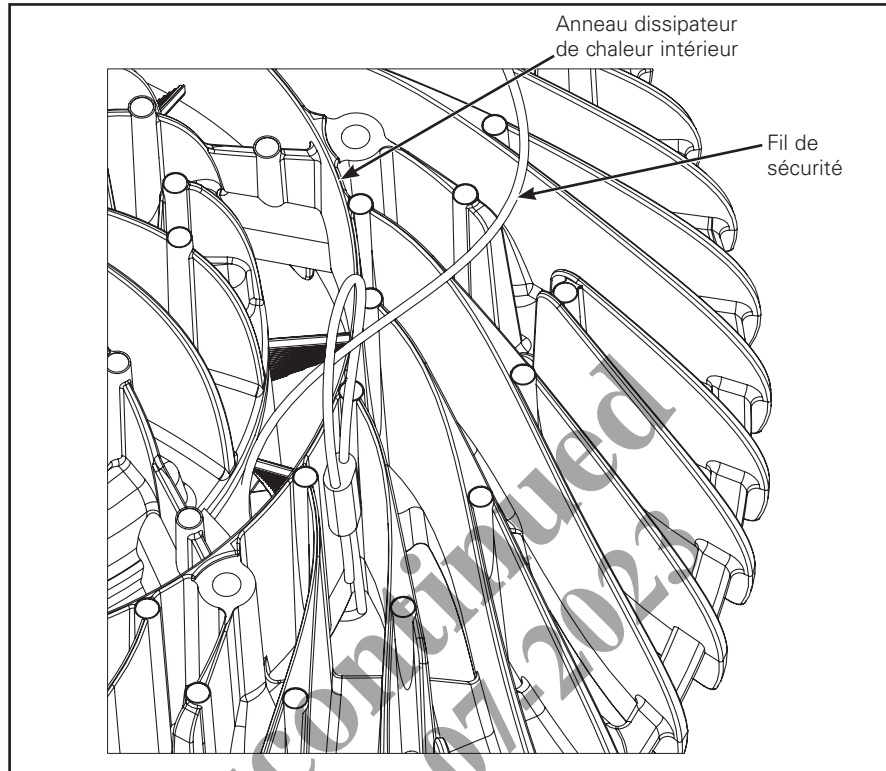


Figure 6.

SOIN ET ENTRETIEN

Tous les luminaires altitude et robustesse sont dotés d'un fini enduit de poudre. Le fini sur la surface extérieure du luminaire peut finir par s'éroder en fonction des conditions ambiantes au site d'installation. Un entretien adéquat des luminaires maintiendra leur efficacité prolongée et leur apparence.

L'accumulation de poussière et de débris sur le dissipateur de chaleur peut affecter l'efficacité du luminaire DEL. Un excès d'accumulation dans le dissipateur de chaleur peut causer une diminution automatique de la luminosité destinée à protéger des surchauffes. Un horaire d'entretien périodique doit être respecté pour maintenir un flux lumineux et un fonctionnement thermique optimaux. Enlever la saleté, les feuilles et tout autre débris du boîtier du luminaire. Essuyer les lentilles optiques à l'aide d'un chiffon de coton propre et sec afin de déloger la poussière et les autres contaminants. Un nettoyant non abrasif pour polycarbonate peut être utilisé périodiquement.

⚠ AVERTISSEMENT

Ne PAS utiliser de substances abrasives comme de la cire pour voiture, du nettoyant à laiton ou autres cires ou produits chimiques. Ces produits peuvent égratigner, enlever ou endommager le revêtement protecteur en permettant à l'humidité et aux autres contaminants d'entrer en contact avec l'aluminium et de potentiellement en abîmer la finition.

DÉPANNAGE

AVERTISSEMENT

Avant d'effectuer tout travail sur le luminaire, mettre le circuit d'alimentation hors tension, confirmer l'absence de courant à l'aide d'un multimètre, et attendre 2 minutes jusqu'à ce que le luminaire soit suffisamment froid au toucher afin d'éviter les brûlures et les risques de décharge électrique. IGNORER CET AVERTISSEMENT PEUT ENGENDRER LA MORT, DES BLESSURES GRAVES OU DES DOMMAGES MATÉRIELS.

Symptôme	Cause possible	Mesure corrective
Aucune lumière	Alimentation coupée	Vérifier si le circuit d'alimentation est sous tension.
	Mauvais branchement du câblage.	Vérifier le câblage entrant.
	Signal de commande réglé à 0	Vérifier le signal de commande
Fusible sauté ou disjoncteur déclenché	Câbles croisés ou fil d'alimentation mis à la terre.	Vérifier les branchements du câblage.
	Fusible ou disjoncteur inadéquat	Voir Tableau 2

Tableau 6. Guide de dépannage

Discontinued
04-07-2023

INSTRUCCIONES DE SEGURIDAD

Lea y comprenda este manual en su totalidad antes de intentar armar, operar o instalar la luminaria LED.

1. Todos los trabajos eléctricos deben cumplir con el Código Eléctrico Nacional (NEC) y todos los códigos y ordenanzas locales que correspondan.
2. Solo personal cualificado debe instalar y realizar el mantenimiento de esta luminaria. Ephesus recomienda que sea un electricista certificado quien instale y realice el mantenimiento de la luminaria. Revise la seguridad del sistema de distribución de energía existente antes de comenzar con la instalación. **EL IGNORAR LAS INSTRUCCIONES PUEDE PROVOCAR DAÑOS A LA PROPIEDAD, LESIONES GRAVES E INCLUSO LA MUERTE.**

ADVERTENCIA

Desconecte la alimentación antes de realizar cualquier trabajo eléctrico o de control. EL IGNORAR LAS ADVERTENCIAS PUEDE PROVOCAR DAÑOS A LA PROPIEDAD, LESIONES GRAVES E INCLUSO LA MUERTE.

NO modifique la luminaria. Cualquier orificio abierto puede permitir el ingreso de agua, la cual puede dañar la luminaria.

ADVERTENCIA

Siga todos los procedimientos de seguridad y use equipo de protección personal, como casco, gafas de seguridad, chalecos reflectantes, guantes con protección para trabajos eléctricos, equipo de protección anticaída y botas de seguridad durante la instalación, la operación y las tareas de mantenimiento de la luminaria. EL IGNORAR LAS ADVERTENCIAS PUEDE PROVOCAR DAÑOS A LA PROPIEDAD, LESIONES GRAVES E INCLUSO LA MUERTE.

ADVERTENCIA

¡Riesgo de lesiones oculares! La gran intensidad de la luz que produce la luminaria puede provocar daños graves a los ojos si la observa directamente desde poca distancia. Evite estar frente a una luminaria encendida o, bien, use gafas de protección adecuadas que bloqueen la luz, como gafas para soldar.

ADVERTENCIA

Los alojamientos de las luminarias LED se pueden calentar mucho durante el funcionamiento continuo. Para evitar quemaduras en manos y dedos, asegúrese de dejar pasar un tiempo adecuado para que la luminaria LED se enfríe y así pueda realizar el mantenimiento.

ESPECIFICACIONES DEL PRODUCTO

La luminaria Ephesus para áreas de altura extrema está diseñada para entornos hostiles, incluidos ambientes con temperaturas extremas, húmedos y corrosivos. También resulta ideal para grandes alturas de montaje, incluso superiores a 100 pies (30 metros). La protección contra el exceso de temperatura permite disminuir el vataje ante el aumento en la temperatura ambiente para garantizar la confiabilidad y el funcionamiento continuo en ambientes calurosos. Los controles avanzados opcionales permiten la regulación de luminarias individuales o grupos de luminarias, además de encendido y apagado instantáneo.

Las luminarias para áreas de altura extrema están diseñadas para cumplir o superar los estándares siguientes:

- IP66
- NEMA 4X
- UL 1598 para lugares húmedos
- ANSI C136.31-2010 3G Vibración de paso superior de puente (con la opción de montaje en superficie)

MATERIALES Y HERRAMIENTAS NECESARIOS

Tabla 3: Materiales necesarios proporcionados por el instalador
EP-2000 o dispositivo equivalente para corregir la forma de la onda (depende de la alimentación eléctrica)
Accesorios de montaje (montaje NPT de 3/4")
Cable de alimentación
Conectores de empalme eléctrico
Sujetacables o manejo de cables
Cables de control (solo control por cables)
Llaves de tamaño adecuado para los accesorios de montaje
Llave Allen Hexagonal de 3/16"
Llave de Tubo de 7/16"
Llave de torsión con clasificación para 35 pie-libra como mínimo

ALMACENAMIENTO

Guarde las luminarias en un lugar limpio, seco y protegido contra la suciedad, el agua y la luz solar. Consulte la Tabla 1 para ver el almacenamiento y las condiciones operativas que se deben cumplir:

Temperatura de almacenamiento	Temperatura operativa	Humedad
-40 °C a +75 °C (-40 °F a 167 °F)	Alta temperatura ambiente: -40 °C a +65 °C (-40 °F a 149 °F) Alto rendimiento: -40 °C a +50 °C (-40 °F a 122 °F)	5 % a 95 % sin condensación

Tabla 1. Almacenamiento y condiciones operativas

ESPECIFICACIONES DE LA FUENTE DE ALIMENTACIÓN

Las luminarias Ephesus LED no son luces incandescentes tradicionales, son dispositivos de estado sólido de alta tecnología y de nueva generación. Para proteger su valiosa inversión, la alimentación eléctrica debe ser limpia y tener un voltaje y una corriente estables, así como formas de onda no distorsionadas.

Configuración de energía

El segundo transformador de alimentación del sistema de distribución de energía debe tener una configuración de estrella de tres fases y cuatro cables. Si hubiera otra configuración del transformador presente, notifique a Ephesus antes de proceder con la instalación.

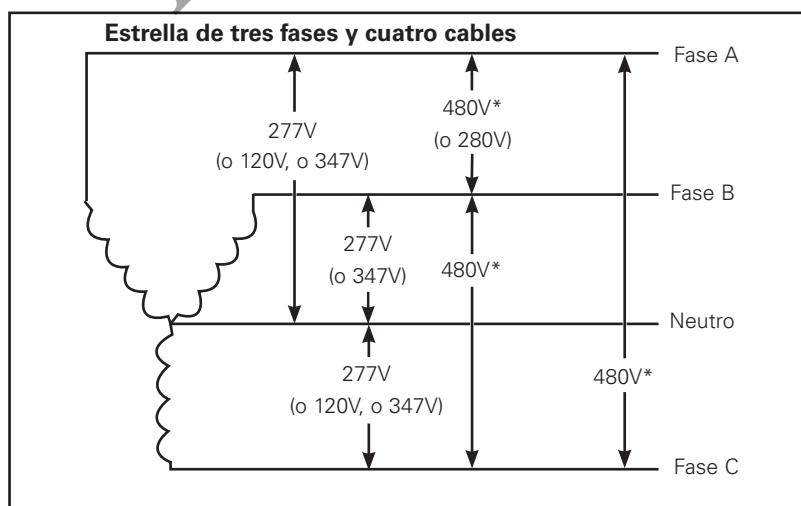


Figura 1. Configuraciones de alimentación aceptables

⚠ ADVERTENCIA

Emplee métodos de conexión a tierra adecuados: El sistema eléctrico debe tener conexión a tierra. Si no está seguro de si el sistema tiene conexión a tierra, **NO** instale la luminaria. Comuníquese con un electricista certificado para recibir información sobre los métodos adecuados de conexión a tierra, como lo exige el código eléctrico. **EL IGNORAR LAS ADVERTENCIAS PUEDE PROVOCAR DAÑOS A LA PROPIEDAD, LESIONES GRAVES E INCLUSO LA MUERTE.**

Voltaje del circuito

Los circuitos de alimentación de rama que alimentan a las luminarias deben ser solo de 277 V, 347 V o 480 V CA.

⚠ ADVERTENCIA

No intente conectar las luminarias a ningún circuito con voltaje nominal por debajo de 277 V o por encima de 480 V CA. EL INCUMPLIMIENTO DE ESTA ADVERTENCIA PUEDE CONDUCIR A DAÑOS Y FALLAS INTERNOS EN LA LUMINARIA.

El voltaje de los circuitos de iluminación debe permanecer dentro del 3 % del valor nominal a 60Hz. El voltaje que sea consistentemente demasiado alto o bajo se debe corregir antes de instalar las luminarias LED.

Fusibles

Si fuera necesario utilizar protección de una rama individual, la Tabla 2 muestra la clasificación mínima del fusible para cada luminaria individual conectada al circuito.

Voltaje del circuito (VCA)	Clasificación mínima del fusible (amperios)
277	4
347	4
480	3

Tabla 2. Clasificación mínima del fusible

Calidad de la alimentación

El voltaje de alta frecuencia debe estar por debajo de -40dB o 0,01 V entre 3 KHz y 100 KHz.

La corriente de alta frecuencia debe estar por debajo de -50 dB o 0,019 V entre 3 KHz y 100 KHz.

Si desea asistencia para comprobar su sistema de alimentación, diseñar o implementar soluciones, comuníquese con Servicios y Sistemas de Ingeniería Eléctrica de Cooper Lighting Solutions. Encuentre más información en www.cooperlighting.com.

El no garantizar los requisitos de calidad de la alimentación anulará la garantía.

INSTRUCCIONES DE INSTALACIÓN

Consulte los esquemas fotométricos o las instrucciones de instalación del proyecto para ver la ubicación de la luminaria y la configuración de montaje.

⚠ ADVERTENCIA

- El alojamiento de la luminaria se puede calentar mucho. La luminaria se debe montar lejos de cualquier objeto inflamable o sensible a la temperatura.
- El rendimiento de la luminaria disminuirá si la coloca directamente junto a un objeto sólido que no permita la circulación de aire a través de las aletas del disipador de calor.
- Es responsabilidad del instalador verificar que todas las estructuras de montaje propuestas tengan la certificación adecuada para soportar el peso de la luminaria y cumplir todos los códigos y regulaciones aplicables. EL IGNORAR LAS ADVERTENCIAS PUEDE PROVOCAR DAÑOS A LA PROPIEDAD, LESIONES GRAVES E INCLUSO LA MUERTE.
- No suspenda ninguna luminaria de los cables de control o eléctricos, ya que no soportarán el peso de la luminaria. Como resultado, la luminaria podría caerse y provocar daños o lesiones. EL IGNORAR LAS ADVERTENCIAS PUEDE PROVOCAR DAÑOS A LA PROPIEDAD, LESIONES GRAVES E INCLUSO LA MUERTE.
- La luminaria debe estar desconectada durante el proceso de instalación. EL INCUMPLIMIENTO DE ESTA ADVERTENCIA PUEDE CONducIR A DAÑOS Y FALLAS INTERNOS EN LA LUMINARIA.

OPCIÓN DE MONTAJE 1: MONTAJE SUSPENDIDO

1. Retire los dos tornillos de la caja de derivación usando una llave Allen hexagonal de 3/16" (Figura 2).

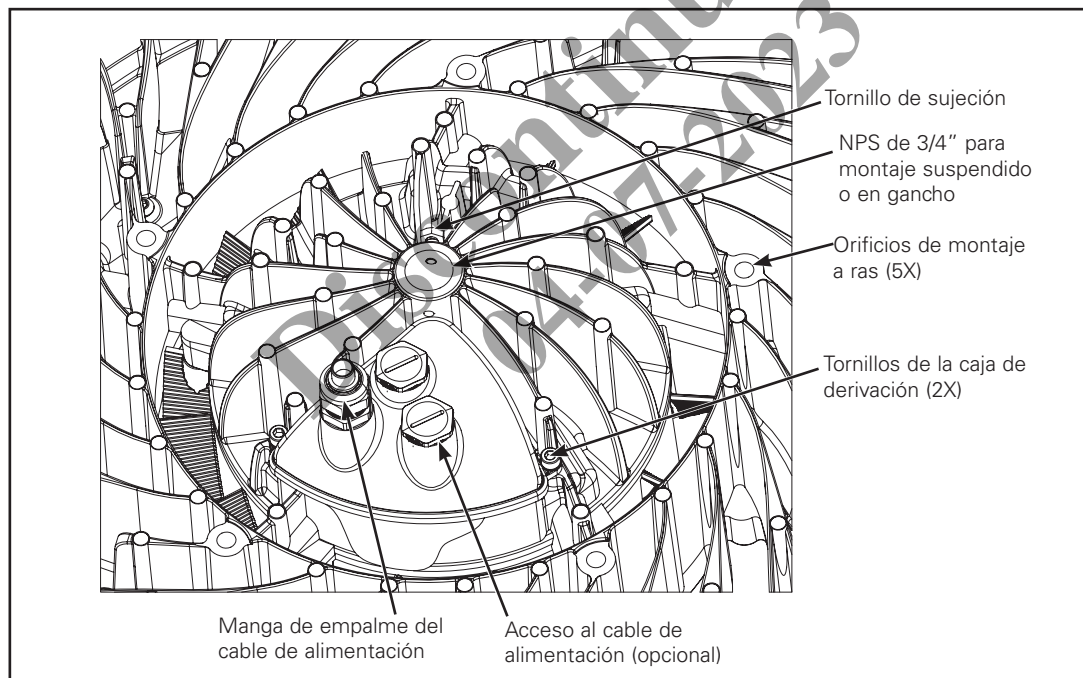


Figura 2.

- Haga pasar el cable por el orificio central y páselo al interior de la luminaria.

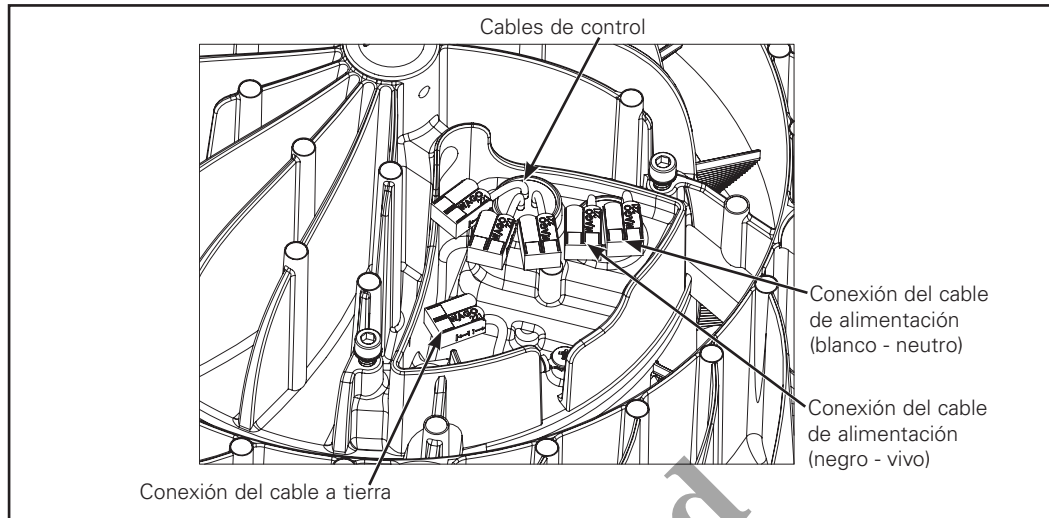


Figura 3.

- Enrosque la luminaria en el conducto NPT de 3/4" hasta que quede firme.
- Ajuste el tornillo de sujeción usando una llave de tubo de 7/16". Aplique una torsión de 35 pulg.-libra.

⚠ ADVERTENCIA

Si no ajusta el tornillo de sujeción, la luminaria podría aflojarse y caer.

OPCIÓN DE MONTAJE 2: MONTAJE EN GANCHO DE CONDUCTO

- Enrosque el gancho de conducto NPT de 3/4" en la luminaria hasta que quede firme (Figura 4).
- Ajuste el tornillo de sujeción usando una llave de tubo de 7/16". Aplique una torsión de 35 pulg.-libra.

⚠ ADVERTENCIA

Si no ajusta el tornillo de sujeción, la luminaria podría aflojarse y caer.

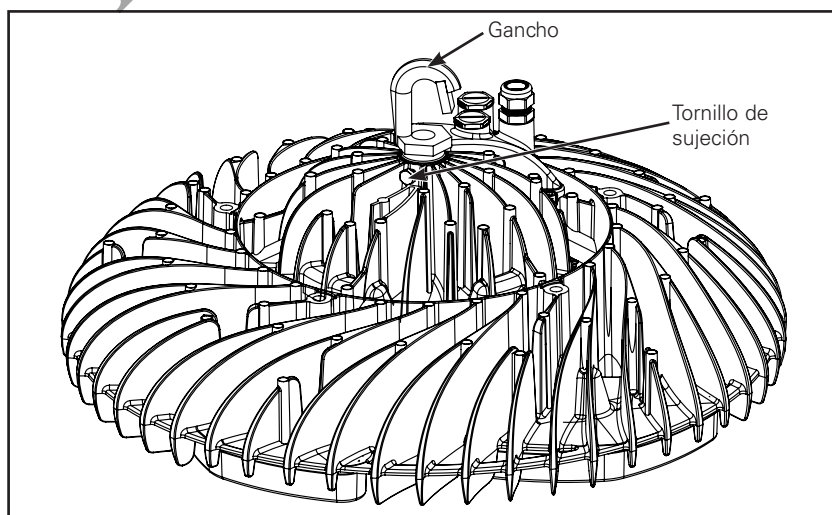


Figura 4.

OPCIÓN DE MONTAJE 3: MONTAJE EN SUPERFICIE

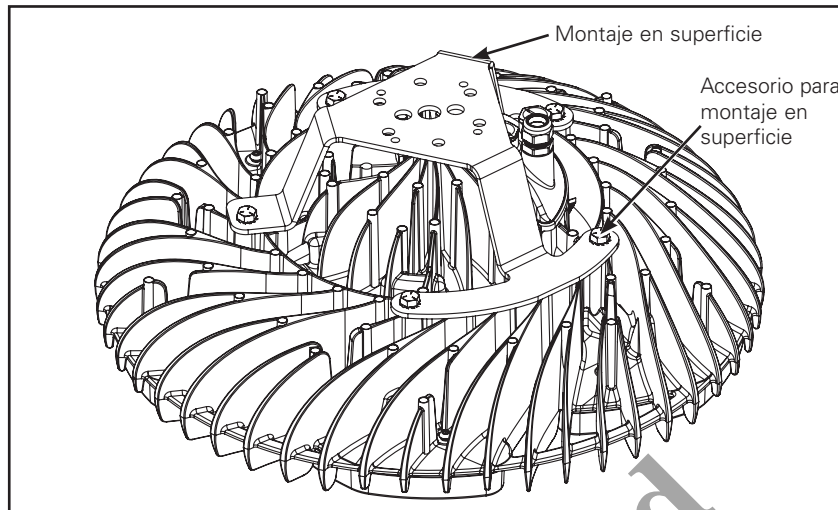


Figura 5.

1. Sujete el Montaje sobre codo Cooper Lighting Solutions CLP-1034D10 o 1007D53 a la superficie de montaje usando los accesorios incluidos.
2. Ajuste el accesorio hasta 13-15 pie-libra.
3. Adhiera el codo a la estructura de soporte.

⚠ ADVERTENCIA

Si no ajusta el accesorio, la luminaria podría aflojarse y caer.

Conexiones eléctricas

⚠ ADVERTENCIA

Nunca conecte la luminaria a un sistema eléctrico sin conexión a tierra. Instalar una luminaria en un sistema eléctrico sin conexión a tierra podría permitir que el alojamiento metálico reciba energía en caso de un cortocircuito, lo que tiene como resultado el riesgo de choque eléctrico para cualquiera que entre en contacto con la luminaria. **EL IGNORAR LAS ADVERTENCIAS PUEDE PROVOCAR DAÑOS A LA PROPIEDAD, LESIONES GRAVES E INCLUSO LA MUERTE.**

Cableado de alimentación

El cable de alimentación entrante debe ser un cable SOOW estilo 3C con un mínimo de 14AWG de cobre recocido trenzado conforme al estándar ASTM B-174 con un rango de temperatura mínima de -40° a +90 °CC. El cable debe ser resistente al agua y contar con Certificación UL y CSA para el uso en interiores y exteriores.

1. Pase el cable de alimentación entrante por el empalme del cable en la cubierta de la caja de derivación si no se usará un montaje suspendido.
2. Quite el revestimiento externo del cable de alimentación entrante hasta 3" (7,6 cm). Conecte los cables de alimentación entrantes con los cables de alimentación de la luminaria dentro de la caja de derivación.

Colores de los Cables De alimentación de la luminaria	Designación
Negro	Línea
Blanco	Línea o neutro
Verde	Conexión a tierra

Tabla 4. Conexiones del cable a tierra

⚠ ADVERTENCIA

NUNCA conecte el cable de conexión a tierra desnudo o con aislamiento verde con el cable negro (VIVO) que transmite corriente, o el cable de alimentación blanco (NEUTRO), ya que podría llegar energía al alojamiento de metal y crear el riesgo de choque eléctrico. EL IGNORAR LAS ADVERTENCIAS PUEDE PROVOCAR DAÑOS A LA PROPIEDAD, LESIONES GRAVES E INCLUSO LA MUERTE.

⚠ ADVERTENCIA

No dañe ni corte el aislamiento del cable (revestimiento) durante la instalación. No permita que los cables entren en contacto con ninguna superficie que tenga un borde filoso, ya que podría dañar el aislamiento del cable y crear un riesgo de choque eléctrico. EL IGNORAR LAS ADVERTENCIAS PUEDE PROVOCAR DAÑOS A LA PROPIEDAD, LESIONES GRAVES E INCLUSO LA MUERTE.

Cableado de control

⚠ ADVERTENCIA

Siempre conecte la alimentación para APAGAR la luminaria antes de realizar cualquier trabajo sobre el cableado de control. Apague los transmisores antes de trabajar sobre las principales líneas de control. Realizar cualquier trabajo sobre las conexiones de control mientras la luminaria recibe la señal puede provocar problemas transitorios en la señal de control, lo que podría dañar la luminaria. EL INCUMPLIMIENTO DE ESTA ADVERTENCIA PUEDE CONducIR A DAÑOS Y FALLAS INTERNOS EN LA LUMINARIA.

⚠ ADVERTENCIA

Tenga cuidado cuando conecte cualquier cable de 24AWG, ya que son propensos a romperse. Se pueden usar cables de 24AWG en los bloques de terminales. Si se conectará el cable con la tuerca para cables, conectores wago u otros empalmes mecánicos, use un cable de 22AWG.

1. Si fueran necesarios controles conectados, conecte la línea de control entrante en el lado izquierdo de la caja de derivación de la luminaria quitando el enchufe y pasando un cable de 1/2". Asegure el cable en el agarre ajustando a mano la tuerca de sellado lo más que pueda. Sujete el cuerpo hexagonal estacionario con una llave, usando una segunda llave, ajuste la tuerca de sellado hasta que el cable esté seguro en su lugar.
2. Conecte los cables de control entrantes con los cables de control de la luminaria. Consulte la Tabla 5 a continuación para identificar los cables de la luminaria.

Colores de los cables de control de la luminaria	Designación
Púrpura	Datos +
Gris	Datos -
Amarillo	Pantalla

Tabla 5. Conexiones del cable de control

Caja de derivación

1. Asegúrese de que los cables de alimentación y control estén debidamente terminados y que no haya conductores expuestos. Empuje cuidadosamente los cables de alimentación y control en la caja de derivación para asegurarse de no pellizcar los cables con la cubierta.
2. Reemplace la caja de derivación y los dos (2) tornillos de la caja de derivación con las arandelas de bloqueo. Ajuste los tornillos de la caja de derivación hasta 40 in-libra.

INSTALACIÓN DEL CABLE DE SEGURIDAD XHB

El cable de seguridad XHB opcional ofrecerá mayor protección en caso de una luminaria que no esté debidamente instalada o que la estructura de montaje sea débil. Se lo debe utilizar solo como seguridad secundaria, no como el medio principal de montaje.

Opciones de cable:

- Colgante sujetador con cable de 1/8" de diámetro y terminación en lazo
 - Número de pieza: Colgante sujetador con cable n.º 3

Instalación:

1. El cable debe estar enrollado alrededor del disipador de calor grueso y sobre sí mismo, como se muestra en las figuras a continuación.
2. Fije a una estructura secundaria que sea suficiente para soportar la luminaria, si fuera necesario.

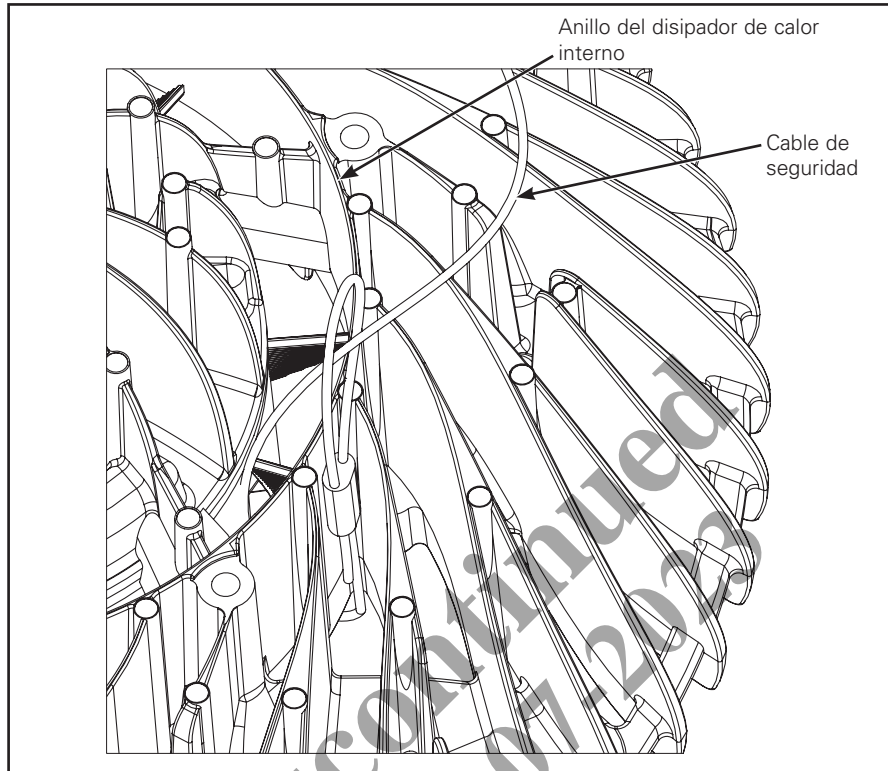


Figura 6.

CUIDADO Y MANTENIMIENTO

Todas las luminarias para áreas de altura extrema tienen un acabado con recubrimiento en polvo. El acabado de las luminarias para exteriores podría desgastarse con el paso del tiempo, según las condiciones ambientales y el lugar de instalación. Un cuidado adecuado de las luminarias debería preservar su rendimiento y aspecto.

La acumulación de suciedad y residuos en el disipador de calor podría perjudicar el rendimiento de la luminaria LED. La acumulación excesiva dentro de las aletas del disipador de calor puede provocar que la salida de lúmenes disminuya automáticamente para evitar el sobrecalentamiento de la luminaria. Siga un cronograma de mantenimiento regular para preservar la salida máxima de luz y el rendimiento térmico. Retire la suciedad, hojas y otros residuos extraños del alojamiento de la luminaria. Limpie el lente óptico con un paño limpio y seco de algodón para eliminar el polvo y otros contaminantes. Puede usar un limpiador no abrasivo para policarbonatos con mayor frecuencia.

⚠ ADVERTENCIA

NO use ningún abrasivo, como cera para autos, limpiadores de bronce u otros pulidores o sustancias químicas. Estos podrían dañar, remover, o dañar el revestimiento de protección, permitiendo que la humedad y los contaminantes entren en contacto con el aluminio, lo que podría decolorar o picar el acabado.

RESOLUCIÓN DE PROBLEMAS

⚠ ADVERTENCIA

Antes de realizar cualquier trabajo sobre la luminaria, desconecte el circuito de alimentación, verifique que la alimentación está desconectada con un multímetro y espere dos (2) minutos hasta que la luminaria se haya enfriado lo suficiente como para manipularla y evitar sufrir una descarga eléctrica o quemaduras. EL IGNORAR LAS ADVERTENCIAS PUEDE PROVOCAR DAÑOS A LA PROPIEDAD, LESIONES GRAVES E INCLUSO LA MUERTE.

Síntoma	Posible causa	Acción correctiva
No hay salida de luz	La alimentación está desconectada	Compruebe si la alimentación del circuito está encendida.
	Mala conexión del cable.	Revise las conexiones de cableado entrantes.
	Controle que la señal de control esté en 0	Verifique la señal de control
Si se quema el fusible o se activa el disyuntor	Los cables cruzados o un cable de alimentación tienen conexión a tierra.	Revise las conexiones de cableado.
	Fusible o disyuntor de tamaño inadecuado	Consulte la Tabla 2

Tabla 6. Guía de resolución de problemas

Discontinued
04-07-2023

Warranties and Limitation of Liability

Please refer to www.cooperlighting.com for our terms and conditions.

Garanties et limitation de responsabilité

Veillez consulter le site www.cooperlighting.com pour obtenir les conditions générales.

Garantías y Limitación de Responsabilidad

Visite www.cooperlighting.com para conocer nuestros términos y condiciones.

Discontinued
04-07-2023



Cooper Lighting Solutions
1121 Highway 74 South
Peachtree City, GA 30269
www.cooperlighting.com

© 2020 Cooper Lighting Solutions
All Rights Reserved
Printed in USA
Imprimé aux États-Unis
Impreso en los EE. UU.
Publication No. IB507004EN
September 24, 2016

Cooper Lighting Solutions is a registered trademark. All trademarks are property of their respective owners.

Cooper Lighting Solutions est une marque de commerce déposée. Toutes les autres marques de commerce sont la propriété de leur propriétaire respectif.

Cooper Lighting Solutions es una marca comercial registrada. Todas las marcas comerciales son propiedad de sus respectivos propietarios.

Product availability, specifications, and compliances are subject to change without notice

La disponibilité du produit, les spécifications et les conformités peuvent être modifiées sans préavis

La disponibilidad de productos, las especificaciones y los cumplimientos están sujetos a cambio sin previo aviso