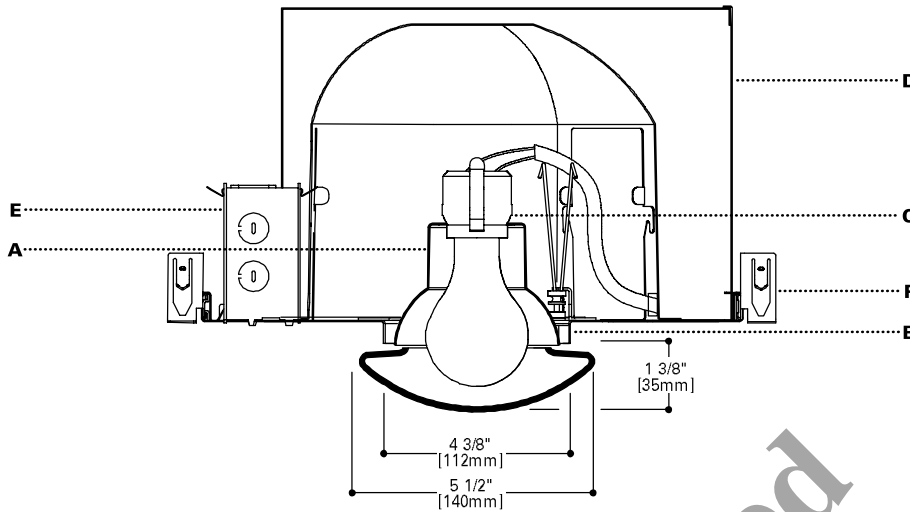


DESCRIPTION

Specification grade A lamp fixture rated for direct contact with insulation. For use in wet locations and in closets where light is needed on upper shelves. Veined Italian dropped glass diffuser provides a soft smooth illumination pattern.

Optical element may be changed after installation to provide a variety of lamp sources and distributions. e.g. into an Adjustable



SPECIFICATION FEATURES

A... Reflector/Lens

.040 thick aluminum spun upper reflector with specular clear finish. Etched satin glass obscures lamp image.

B... Attachment

Positive torsion springs pull glass tight to ceiling. Gasket is a closed cell foam.

C... Socket

Nickel plated porcelain socket. Fixed socket height ensures consistent lamp position.

D... Frame/Housing

Hot dipped galvanized 20 gauge steel frame with built in 1/2 inch plaster lip. Gunsights allow for consistent alignment. Aluminum .032 thick housing allows for heat dissipation and reduces weight.

E... Junction Box

18 cubic inches, listed for 4#12 AWG or 6#14 AWG 90° C additional feed through conductors, has six 1/2 inch pryouts and two built in romex strain reliefs.

F... Bar Hangers

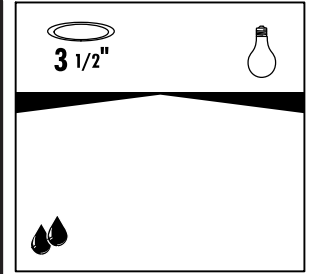
No Flex® bar hangers with positive locking, for use with wood, engineered wood and steel frame joists spaced up to 24" O.C. ship with platform. For use in T-bar ceilings order accessory MBCLP. Nailless barb and locator lip provide consistent installation height.

G... Codes

Thermally protected, IP labeled, for use in direct contact with insulation. Meets Washington State Air tight requirements, 1995 CABO Model Energy Code.

H... Labels

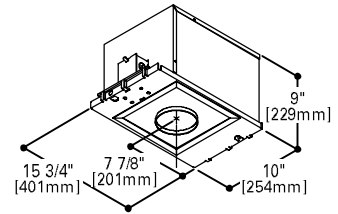
UL and cUL listed, standard wet label, IBEW union made.



**P3120
E3A19LUNA**

60 W A19

**3" DROPPED LENS
SHOWERLIGHT**



Ceiling Cutout
4 3/8" [112mm]

ORDERING INFORMATION

Complete unit consists of a platform and element

Platform	Optical Element	Accessories
P3120	E3A19LUNA	
P3120 = 3" Airtight IC Rated Housing	E3A19LUNA = 3" Dropped Lens Showerlight	MBCLP = 40 Push On T Bar Clips (for 10 Units) PLE3 = Plaster Lip Extension for Max 2" Thick Ceiling

PHOTOMETRICS

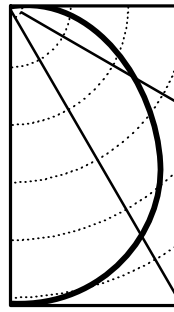
P3120-E3A19LUNA

Test No. H21089
 Lamp: 60A19/IF
 Lumens: 860
 Spacing: 1.3
 Efficiency: 51.4%
 Unit LPW: 7.4

Candelas

Vertical Angle	CD
90	19
85	25
75	38
65	55
55	75
45	93
35	109
25	120
15	127
5	130
0	130

Distribution



Cone of Light

Distance to Illum. Plane	Initial Nadir Footcandles	Beam Diameter
4'6"	6	6'0"
5'6"	4	7'0"
6'6"	3	8'6"
8'0"	2	10'6"
10'0"	1	13'0"
12'0"	1	15'6"

Single Fixture 2'0" Distance from Wall

DD	1'	2'	3'	4'
1	11	8	4	2
2	9	7	4	2
3	5	4	3	2
4	3	3	2	1
5	2	2	2	1
6	1	1	1	1
7	1	1	1	1
8	1	1	1	1
9	1	1	1	1
10	1	1	1	1

Zonal Lumen Summary

Zone	Lumens	%Lamp	%Luminaire
0-30	104	12.1	23.4
0-40	172	20.0	38.9
0-60	311	36.1	70.3
0-90	433	50.4	97.9
90-180	9	1.1	2.1
0-180	442	51.4	100.0

Coefficient of Utilization

Ceiling Reflectance	80%				70%		50%		30%		0%
	70	50	30	10	50	10	50	10	50	10	0
Wall Reflectance											
Room Cavity Ratio											
0	61	61	61	61	59	59	56	56	54	54	50
1	55	52	50	47	51	47	48	45	46	43	41
2	50	45	42	39	44	38	42	37	40	36	34
3	45	40	36	32	39	32	37	31	36	30	28
4	42	36	31	27	35	27	33	27	32	26	25
5	38	32	27	23	31	23	30	23	29	23	21
6	35	28	24	20	28	20	27	20	26	20	18
7	32	25	21	17	25	17	24	17	23	17	16
8	30	23	18	15	22	15	22	15	21	15	14
9	28	21	16	13	20	13	20	13	19	13	12
10	26	19	15	12	19	12	18	12	17	12	11

Notes and Formulas:

Cone of Light:

- Beam diameter is to 50% of maximum footcandles, rounded to the nearest half-foot.
- Footcandle values are initial. Apply appropriate light loss factors where necessary.

Wall Illumination:

- Illuminance values are cosine corrected initial values with no contribution from inter reflections from other room surfaces. Total illumination may increase from contributions from other surfaces.
- DD=Distance Down from Ceiling.

Note: Specifications and Dimensions subject to change without notice.