

Description

Live End Feed for TEK4 two circuit / two neutral 120V track. Multiple breaker sizes are available. Can be utilized on hard or grid ceilings. Can be used with pendant suspended track. Breaker can be used as an on-off switch.

Catalog #		Type
Project		
Comments		Date
Prepared by		

Specification Features

Current Limiters

The increasing awareness of energy usage has led to stringent legislation mandating rigid "watts-per-foot" requirements for track lighting.

Current Limiters replace the feed point of a track system. The feed is contained in a larger enclosure with an integral circuit breaker.

Some codes state that for energy usage calculations (when using track) you must account for a certain amount of wattspers-foot regardless of how many heads you plan to use on that track. When using track of any substantial length - this adds up and is typically far more energy than would be used in common track lighting applications.

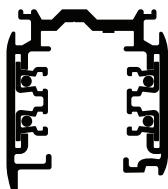
Current limiter systems allow the designer to limit how much energy goes against the total energy cap for each track system. These circuit breakers are interchangeable and come in different current ratings depending on how much lighting is to be used on a given track system. Ultimately, for energy calcs, the designer only allots what the CB is rated for.

Ordering Information

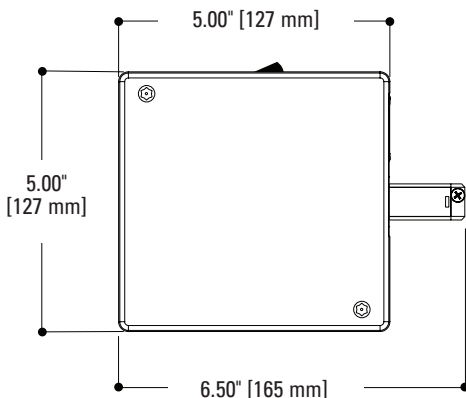
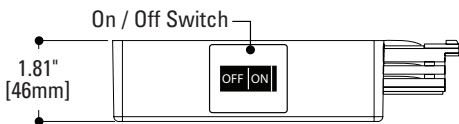
Example: TEK11CB 0120 0120 2
(TEK left end feed, 120W x 120W current limiter, black)

Product Description	Circuit Breaker 1	Circuit Breaker 2	Finish
TEK11CB - Current Limiter End Feed - Left	0060 - 60W (.5A @ 120V)	0060 - 60W (.5A @ 120V)	1 - Aluminum
TEK12CB - Current Limiter End Feed - Right	0120 - 120W (1A @ 120V)	0120 - 120W (1A @ 120V)	2 - Black
	0300 - 300W (2.5A @ 120V)	0300 - 300W (2.5A @ 120V)	3 - White
	0600 - 600W (5A @ 120V)	0600 - 600W (5A @ 120V)	
	0960 - 960W (8A @ 120V)	0960 - 960W (8A @ 120V)	
	1200 - 1200W (10A @ 120V)	1200 - 1200W (10A @ 120V)	

For use with Halo's TEK4
120V Two Circuit / Two
Neutral Track



Dimensions



TEK11CB TEK12CB Current Limiter End Feed

For TEK4 Track
20A Track / 120V
Two Circuit Two Neutral