

**NOTE: THIS VERSION OF THE DEFINE SERIES HAS BEEN REPLACED WITH OUR SECOND GENERATION PRODUCT**

**NEO-RAY**

**DESCRIPTION**

The Define series by Neo-Ray characterizes the ultimate in minimalist simplicity by providing clean, uniform lines of illumination in virtually any architectural environment. Powered by Cooper Lighting Solutions' most advanced linear LED technology, the Define series delivers outstanding efficacy in a variety of profile widths. 2", 3", 4" and 5" luminaire widths are all specifiable to the nearest foot in length as standard product and can be fitted with flush, regress and drop lensing. Custom corners and transitions are also available. Robust construction and adaptable, modular components make installation simple and ensure laser straight runs.

<b>Catalog #</b>		<b>Type</b>
<b>Project</b>		
<b>Comments</b>		<b>Date</b>
<b>Prepared by</b>		

**SPECIFICATION FEATURES**

**Construction**

Housing extruded from 6063 aluminum. Nominal 2' -12' illuminated sections. Used in run configuration and/or individual fixtures. All components are RoHS compliant.

**Lens**

Snap in lens available in flush and drop lens profiles. Lens end caps allow for ease of installation and eliminate light leak.

**Finish**

Fixture housings are high reflective white using electrostatically applied polyester powder coat paint.

**Electrical**

Long-life LED system coupled with electrical driver to deliver optimal performance. LED's are available in 2700K, 3000K, 3500K or 4000K with a typical CRI ≤ 85. Projected life is 153,000 hours at >79% lumen output. Electronic drivers are available for 120-277V applications. Fixtures and electrical components certified to UL and CUL standards. Fixtures are damp location listed.

**Controls**

Equipped standard with a 0-10V continuous dimming driver compatible with most standard dimming devices (refer to website for specific compatibility reference).

Combine with FifthLight DALI and other energy saving products like sensors, day-lighting controls and building management systems to maximize energy savings.

**Mounting**

Surface.

**Warranty**

Five year warranty.



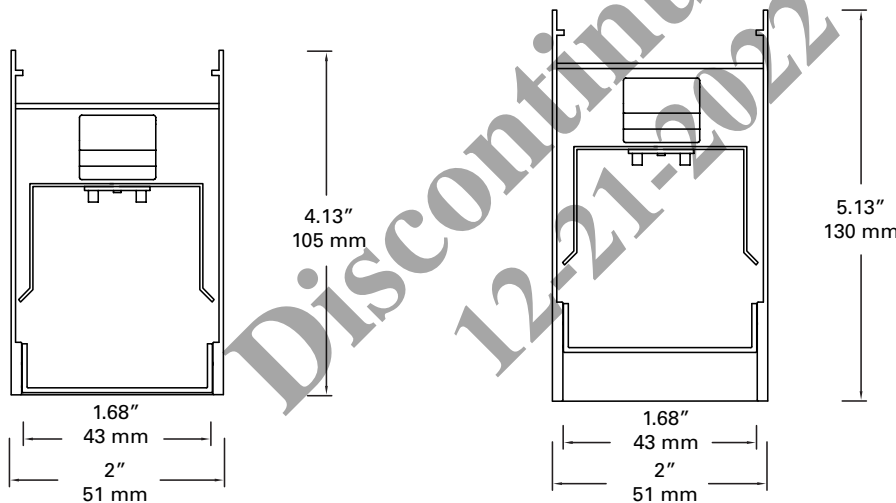
**Define 2**

Surface

LED

Direct

CERTIFICATION DATA  
 cULus - 1598  
 Damp Location Listed  
 LM79/LM80 Compliant  
 RoHS Compliant  
 Lumawatt Pro Wireless



**ORDERING INFORMATION**

Sample Number: S122DS-235-ETG0048-1D-UDD-1-W

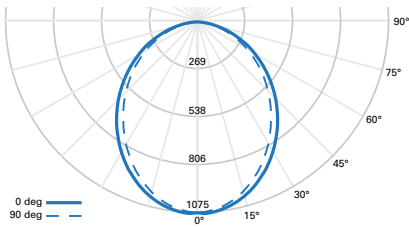
SERIES	LIGHT DISTRIBUTION	LIGHT LEVEL <sup>1</sup>	CCT	CEILING TYPE <sup>2</sup>	LENGTH <sup>3</sup>	
S122 = Define 2	DS = Direct Surface RDS = Regressed Direct Surface	-LO = Light Level LO (1284 Lms @ 13.6W) (321 Lumens per ft @ 3.4 W) -1 = Light Level 1 (2608 Lms @ 27.9 W) (652 Lumens per ft @ 7 W) -2 = Light Level 2 (3707 Lms @ 42.6 W) (927 Lumens per ft @ 10.65 W) -LC ____ = Custom Lm/Ft <sup>1</sup>	27 = 2700K 30 = 3000K 35 = 3500K 40 = 4000K	-ETG = 15/16" Flat T-Grid -FTG = 9/16" Flat T-Grid -ITG = 9/16" Interlude T-Grid -STG = 9/16" Slot T-Grid -JB = Junction Box -ST = Structure	0024 = 2' Individual <sup>4</sup> 0048 = 4' Individual 0096 = 8' Individual 0144 = 12' Individual XXXX = Configurable Run <sup>5</sup>	
CIRCUITING	CIRCUIT TYPE	VOLTAGE	LED DRIVER	SHIELDING DOWN	COLOR	OPTIONS <sup>9</sup>
-1 = Single Circuit -2 = Dual Circuit	D = Dimming (std) C = Non-Dimming B = Battery Pack <sup>8,10</sup> E = Emergency G = Bodine GTD <sup>10</sup>	-1 = 120V -2 = 277V -U = Universal 120V-277V -3 = 347V <sup>6</sup>	ED = Non-Dimming DD = 0-10 Volt Dimming, 10% HCD = 0-10 Volt Dimming, 1% 5L = DALI Dimming <sup>7,10</sup>	-1 = Satin White Diffuser -3 = Asymmetric Diffuser <sup>11</sup> -4 = Satin Drop Diffuser	-W = White -S = Silver -B = Black -C = Custom Color	SVPD1 = Integrated Sensor SWPD1 = WaveLinx Wireless Integral Sensor <sup>13</sup> LWIPD1 = Lumawatt Pro Wireless Integral Sensor <sup>13</sup> -EDF = End Feed (Surface Mount) -90 = 90-CRI (Lower Lumens) -R = GLR Fast Fusing -F = GMR Slow Fusing



Notes:  
\* See page 3 for specific notes

PS524026EN  
2019-03-19

Photometric Data - All data certified to LM-79 standards in a NAVLAB approved testing facility



**FILE NAME: S122DS-135-0048-1D-UDD-1-W**

**CCT: 3500K**

**LUMENS: 2608 Lms**

**WATTS: 27.9 W**

**LPW: 93.5 LPW**

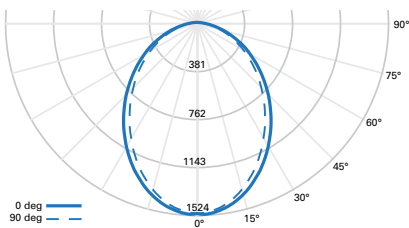
**TEST NUMBER: P33909**

**ZONAL LUMENS SUMMARY**

Zone	Lumens	% Fixture
0°-30°	790	30.3
0°-40°	1259	48.3
0°-60°	2118	81.2
0°-90°	2608	100.0

**LUMINANCE DATA (cd/m<sup>2</sup>)**

Vertical Angle	0°	45°	90°
45	17470	16525	15809
55	16115	15150	14385
65	14780	13578	12655
75	12465	11222	10419
85	8731	7673	6886



**FILE NAME: S122DS-235-0048-1D-UDD-1-W**

**CCT: 3500K**

**LUMENS: 3695 Lms**

**WATTS: 42.6 W**

**LPW: 86.7 LPW**

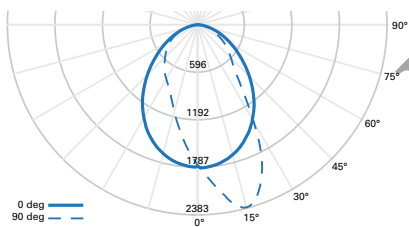
**TEST NUMBER: P33922**

**ZONAL LUMENS SUMMARY**

Zone	Lumens	% Fixture
0°-30°	1120	30.3
0°-40°	1784	48.3
0°-60°	3001	81.2
0°-90°	3695	100.0

**LUMINANCE DATA (cd/m<sup>2</sup>)**

Vertical Angle	0°	45°	90°
45	24756	23417	22402
55	22833	21466	20385
65	20943	19244	17926
75	17663	15897	14761
85	12376	10868	974



**FILE NAME: S122DS-235-0048-1D-UDD-3-W**

**CCT: 3500K**

**LUMENS: 3707 Lms**

**WATTS: 42.8 W**

**LPW: 86.6 LPW**

**TEST NUMBER: G2-1612-022-4**

**ZONAL LUMENS SUMMARY**

Zone	Lumens	% Fixture
0°-30°	1343	36.2
0°-40°	2052	55.3
0°-60°	3165	85.4
0°-90°	3707	100.0

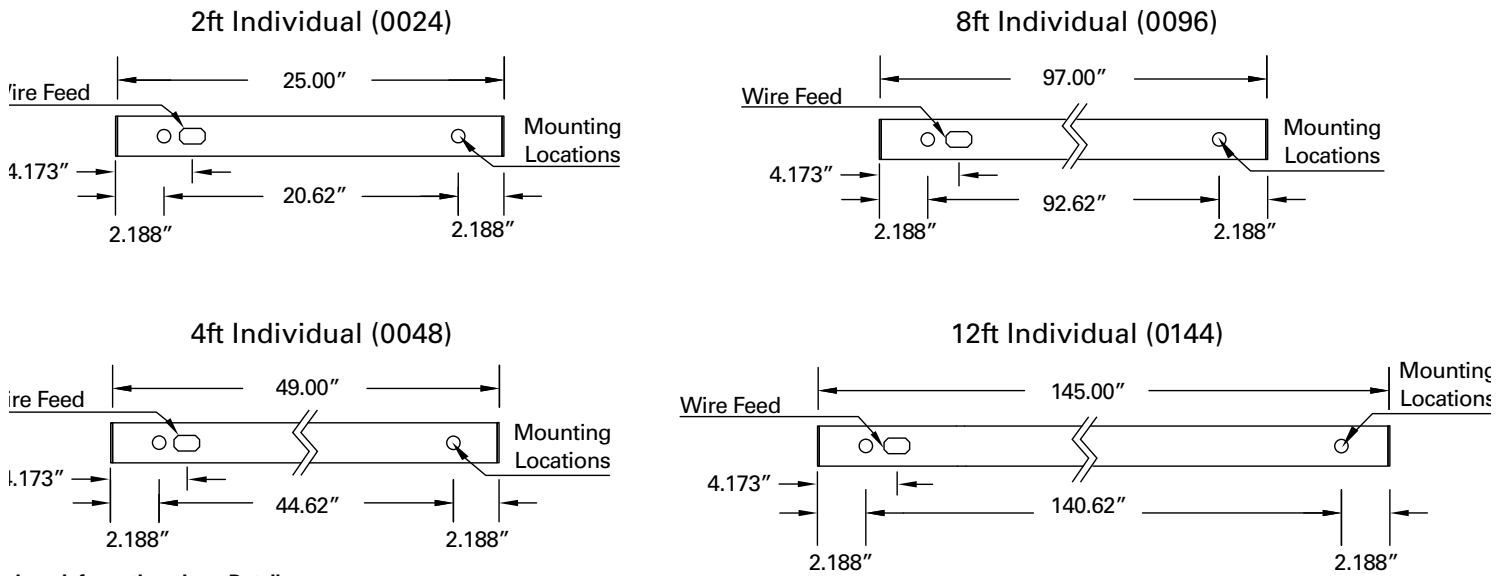
**CANDELA DISTRIBUTION (cd)**

Vertical Angle	0°	90°	180°	270°
0	1782	1782	1782	1782
10	1757	2243	1746	1334
20	1612	2239	1596	978
25	1507	1914	1490	866
30	1377	1405	1358	793
40	1079	713	1059	654
50	762	498	745	520
60	487	325	472	390
70	267	182	253	236
80	96	71	85	87
90	0	0	0	0

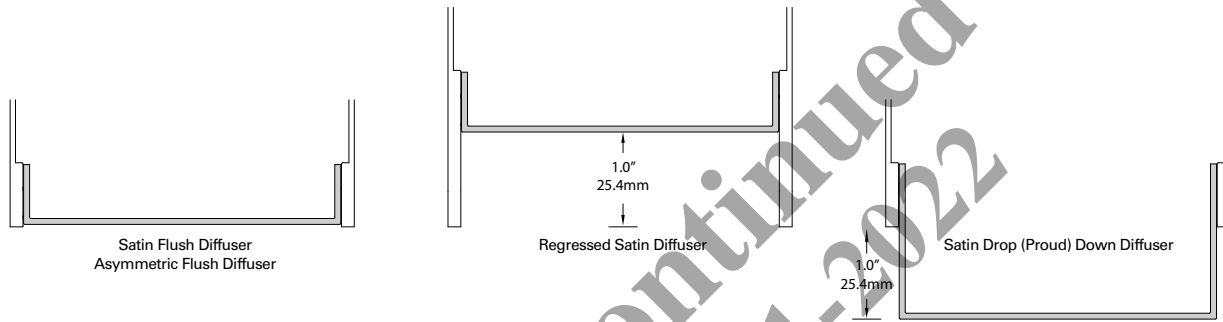
**LUMEN MAINTENANCE**

Ambient Temperature	TM-21 Lumen Maintenance (100,000 hours)	Theoretical L70 (Hours)
25°C	84.29%	131,000

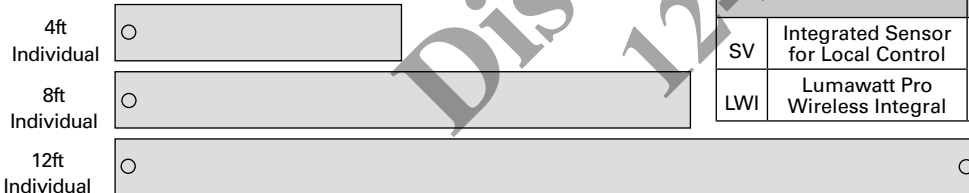
Mounting Information - Refer to installation instructions for detailed mounting information



**Lens Information - Lens Details**



**INTEGRATED SENSOR DETAILS AND PLACEMENT<sup>13</sup>**



Sensor Series		Occupancy Technology		Sensing Technology		Coverage Pattern	
SV	Integrated Sensor for Local Control	P	Passive Infrared	D	Dimming Daylight Harvesting (Closed Loop)	1	~144 ft <sup>2</sup>
LWI	Lumawatt Pro Wireless Integral						

**NOTES**

- Additional lower light levels are available depending on fixture length. For the HCD driver, the requested output must be between 200 Lms/ft and 950 Lms/ft. Additional drivers and light levels are available - please consult factory for details and lead-time.
- Not all ceiling types are shown; consult factory for specific ceiling types not listed.
- All lengths are nominal. Refer to submittal drawings for actual sizes.
- Not all dimming options available for every length; please consult factory for specific details.
- For configurable runs specify length to nearest foot. Standard runs ship in 12ft increments. Ensure to specify 8ft increments if 12ft are too large to receive. Additional charges may apply; please consult factory for details.
- 347V is achieved using remote transformer.
- FifthLight DALL is achieved using digital analog converter.
- Battery pack options are not available in every length; please consult factory for specific details. Battery pack is remote installation only.
- For all options; consult factory for specific requirements.
- Not available with 347V circuit.
- Asymmetric lens is not available as standard product on regressed housing RDR.
- Standard product is configured with snap-in lens end caps at the beginning and end of a run or individual fixture. End caps are provided for ease of installation and removal of the lens and eliminate light leak from the end of the fixture when flush satin lens is selected. Please contact factory if lens end-caps are not desired as alternate configurations are available.
- Integrated WaveLinX and LumaWatt Pro Sensors configured for one sensor per fixture. For proper sensor coverage, select 8ft maximum fixture section during product configuration. Please consult factory for details. Standard configurations include Universal voltage, single circuit and 'DD' driver selection. Not available with regressed housing or emergency options.