

COOPER LIGHTING SOLUTIONS - ALL-PRO™

DESCRIPTION

The ALL-PRO™ LED Single Head Flood series is designed for superior area coverage in a dependable, die-cast aluminum housing. Using the latest in LED, driver and optic technologies, these products deliver lumens where you need them, keeping power consumption to a minimum. Available with and without integrated photocontrols, these fixtures come in white and bronze finish.

| | | |
|--------------------|--|-------------|
| Catalog # | | Type |
| Project | | |
| Comments | | Date |
| Prepared by | | |

SPECIFICATION FEATURES

Construction

- Durable die-cast aluminum housing suitable for wet locations
- Powder coated bronze or white finish
- Optically enhanced reflector improves efficiency and delivered lumens
- Tool-less head adjustment
- Flood Adaptor Kit included: suitable for wall or eave mounting to surface or recessed junction boxes, or rigid conduit mount using 1/2" NPS

- Easy-Install features on all models

Electrical

- 120-277V, 50/60Hz without photocontrol
- 120V with photocontrol
- Maintenance-free LEDs with 70,000 hours of life
- Fixture operating temperature range from -30°C to 40°C
- cULus listed for wet locations
- External supply wiring 75°C minimum

- Dusk to Dawn option available with integrated photo control

Optics

- Precision optics for maximum efficiency
- 5000K CCT

Warranty

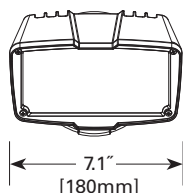
- 5 year limited warranty



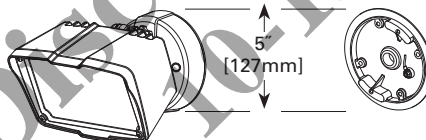
LED FLOOD SERIES

FSL2850

DIMENSIONS

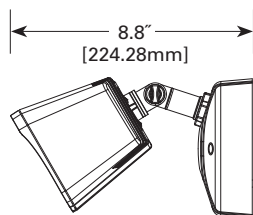


Front View

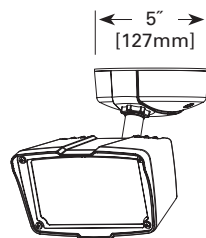


Wall Mount

Adapter Plate



Side View



Eave Mount

ORDERING INFORMATION

| Model | Description | Finish |
|-------------|---|--------|
| FSL2850L | Large single flood, UNV, without photocontrol | Bronze |
| FSL2850LW | Large single flood, UNV, without photocontrol | White |
| FSL2850LPC | Large single flood, 120V, with photocontrol | Bronze |
| FSL2850LPCW | Large single flood, 120V, with photocontrol | White |

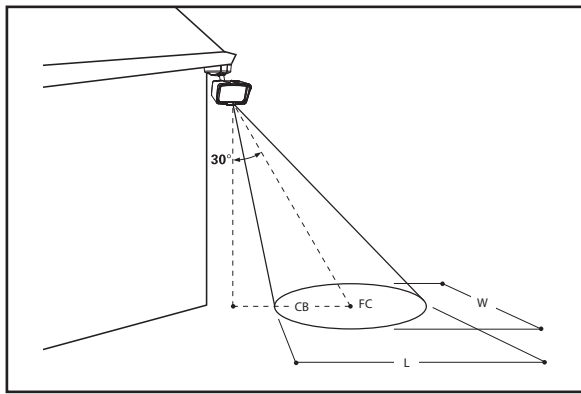
CERTIFICATION DATA

cULus Wet Location Listed
Lighting Facts® Approved

TECHNICAL DATA

120-277V, 50/60Hz without photocontrol
120V with photocontrol
-30°C to 40°C Temperature Rating
External Supply Wiring 75° Minimum

PHOTOMETRICS



Note: Specifications and Dimensions subject to change without notice.

Area Coverage Estimates

| Mounting Height | Length (L) | Width (W) | Area (Sq. Ft.) |
|-----------------|------------|-----------|----------------|
| 10 ft. | 22 | 38 | 800 |
| 15 ft. | 28 | 42 | 1150 |
| 20 ft. | 32 | 50 | 1500 |
| 25 ft. | 35 | 56 | 1800 |

Note: Bronze fixture at a typical mounting angle of 30° from vertical
All figures based on minimum footcandle (FC) of 0.5.

LIGHTING FACTS

LED lighting facts
A Program of the U.S. DOE

ALL-PRO

Light Output (Lumens) **3100**
Watts **28.23**
Lumens per Watt (Efficacy) **109.81**

Color Accuracy
Color Rendering Index (CRI) **73**

Light Color
Correlated Color Temperature (CCT) **5000 (Daylight)**

2700K 3000K 4500K 6500K

Warm White Bright White Daylight

All results are according to IESNA LM-79-2008: Approved Method for the Electrical and Photometric Testing of Solid-State Lighting. The U.S. Department of Energy (DOE) verifies product test data and results.

Visit www.lightingfacts.com for the Label Reference Guide.

Registration Number: F4QJ-WMWTW5 (4/26/2016)
Model Number: FSL2850L
Type: Luminaire - Area/Roadway

LED lighting facts
A Program of the U.S. DOE

ALL-PRO

Light Output (Lumens) **3100**
Watts **28.23**
Lumens per Watt (Efficacy) **109.81**

Color Accuracy
Color Rendering Index (CRI) **73**

Light Color
Correlated Color Temperature (CCT) **5000 (Daylight)**

2700K 3000K 4500K 6500K

Warm White Bright White Daylight

All results are according to IESNA LM-79-2008: Approved Method for the Electrical and Photometric Testing of Solid-State Lighting. The U.S. Department of Energy (DOE) verifies product test data and results.

Visit www.lightingfacts.com for the Label Reference Guide.

Registration Number: F4QJ-GS88JH (4/26/2016)
Model Number: FSL2850LW
Type: Luminaire - Area/Roadway

LED lighting facts
A Program of the U.S. DOE

ALL-PRO

Light Output (Lumens) **3100**
Watts **28.23**
Lumens per Watt (Efficacy) **109.81**

Color Accuracy
Color Rendering Index (CRI) **73**

Light Color
Correlated Color Temperature (CCT) **5000 (Daylight)**

2700K 3000K 4500K 6500K

Warm White Bright White Daylight

All results are according to IESNA LM-79-2008: Approved Method for the Electrical and Photometric Testing of Solid-State Lighting. The U.S. Department of Energy (DOE) verifies product test data and results.

Visit www.lightingfacts.com for the Label Reference Guide.

Registration Number: F4QJ-4XF02F (4/26/2016)
Model Number: FSL2850LPC
Type: Luminaire - Area/Roadway

LED lighting facts
A Program of the U.S. DOE

ALL-PRO

Light Output (Lumens) **3100**
Watts **28.23**
Lumens per Watt (Efficacy) **109.81**

Color Accuracy
Color Rendering Index (CRI) **73**

Light Color
Correlated Color Temperature (CCT) **5000 (Daylight)**

2700K 3000K 4500K 6500K

Warm White Bright White Daylight

All results are according to IESNA LM-79-2008: Approved Method for the Electrical and Photometric Testing of Solid-State Lighting. The U.S. Department of Energy (DOE) verifies product test data and results.

Visit www.lightingfacts.com for the Label Reference Guide.

Registration Number: F4QJ-4DFEEU (4/26/2016)
Model Number: FSL2850_LPCW
Type: Luminaire - Area/Roadway