

DESCRIPTION

A series of lampholders employing simple geometric shapes that create bold statements in any application. Toolless lockable tilt and rotation with graduations for precise, repeatable aiming. Three media capable, these 75W AR111 lampholders are comfortable in applications from Gallery to Specialty Retail. Threaded screw-on bezel provides positive engagement, and removable beveled spacer creates an attractive look when multiple media are not required.

Ideal for accent and display lighting applications.

Catalog #		Type
Project		
Comments		Date
Prepared by		

SPECIFICATION FEATURES

A ... Electrical Quick Lock Adapter - Flexible Track

Die Cast housing. Attaches electrically and mechanically anywhere along track.

B ... Electrical Quick Lock Adapter - Power Trac

Die cast housing. Attaches electrically and mechanically anywhere along track.

C ... Electrical Quick Lock Adapter - Architectural Track

Polycarbonate housing with integral fuse and on-off switch. Attaches electrically and mechanically anywhere along track.

D ... Yoke

Aluminum die cast yoke allows lampholder to rotate 330° and provides 0° to 90° vertical pivot for maximum aiming adjustability.

E ... Lockable Aiming

Lampholder tilt and rotation can be locked in place easily without the use of tools.

F ... Lampholder Body

Machined, Extruded and Die Cast Aluminum cylinders includes integral 12V electronic transformer.

G ... Cover Glass

Fixture provided with cover glass (required for use with non-open fixture rated lamps). Lampholder accepts up to three media.

Graduated Dials

Graduated dials for precise aiming of fixture.

Labels

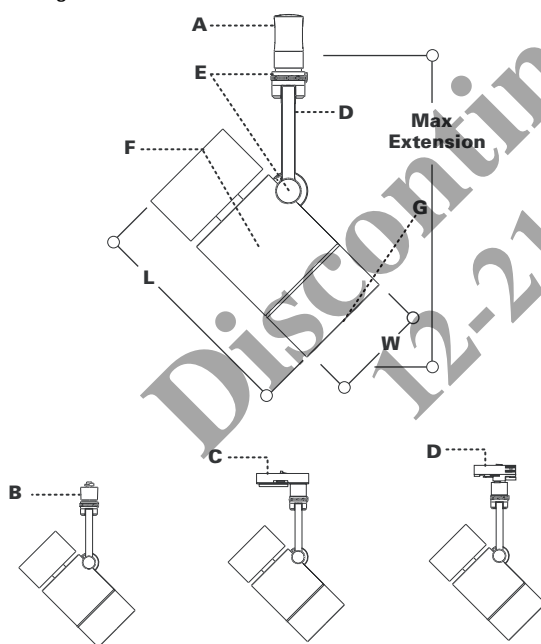
UL/c-UL Listed for use with Halo Architectural Linear and Flexible Track, Halo Power-Trac, and Lazer.



LF206111
LA206111
L206111

Synchro
75W AR111 Accent

Flexible Track
Architectural Track
Power-Trac



LF
L=10.5" [266mm]
W=5" [127mm]
Max Extension=
14.75" [374mm]

L
L=10.5" [266mm]
W=5" [127mm]
Max Extension=
15.25" [387mm]

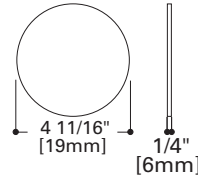
LA
L=10.5" [266mm]
W=5" [127mm]
Max Extension=
15.3" [389mm]

Track LF=Flexible Track L=Halo Power-Trac LA=Halo Architectural Track	2 Lamp Type 2=Low Voltage	06 Series 06=Synchro	111 Lamp 111=AR111	Finish AH=Aluminum Haze P=White (L and LA only) MB=Black (L and LA only)
--	---------------------------------	----------------------------	--------------------------	---

Unless otherwise specified product is only available in 120 volts.
Product incorporates a 120 volt to 12 volt electronic step-down transformer.

L200 Color Filters

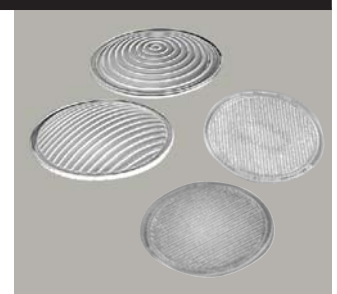
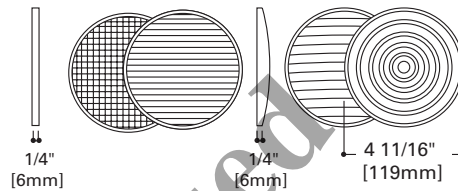
- L211=Medium Pink Color Filter
- L212=Warm Red Color Filter
- L214=Ultraviolet Filter
- L220=Daylight Blue Color Filter
- L221=Medium Blue Color Filter
- L231=Medium Amber Color Filter
- L241=Medium Green Color Filter



L200 Series Color Filters

L200 Series Optical Lenses

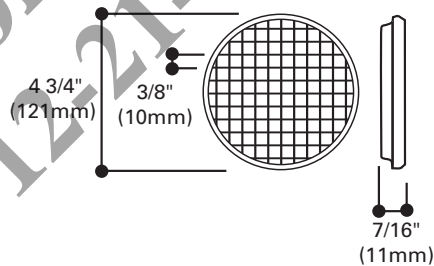
- L210=Linear Spread Lens**
L210 lens fans out light beam 55° - 27 1/2° each side of center
- L215=Radial Spread Lens**
L215 lens spreads light beam 30° in all directions - 15° on all sides of center
- L250=Linear Spread Lens**
L250 lens spreads light beam in one direction
- L265=Prismatic Spread Lens**
L265 Spreads light beam in all directions



L200 Lenses

L275 Cube Cell Louver

4 3/4" OD (121mm). Black finish 1/2" cells for directing light and eliminating glare.



L275 Cube Louver

Remove beveled spacer when 2 or 3 media are used.