

## DESCRIPTION

The Fail-Safe CFF is designed for use in horizontal or non-laminar air flow clean rooms. The enclosed and gasketed housing and one-piece, outside flanged door protect against infiltration of airborne bacteria. The die formed edges on the door frame and the hole-free design of the housing prevent air exchange between the fixture and plenum, allowing relamping without contamination of the clean areas. UL/cUL listed for wet locations under covered ceilings.

Catalog #		Type
Project		
Comments		Date
Prepared by		

## SPECIFICATION FEATURES

### Application

The CFF is suitable for use in I.E.S. Class 100, 1,000, 10,000 and 100,000 clean room environments. Applications include clean rooms, technical and biomedical labs, food processing/testing centers and pharmaceutical labs.

### Fasteners

Flush mounted, stainless steel machine screws secure through captive cage nuts in housing and are evenly spaced to compress gasketing on all sides.

### Housing

Die-formed, 20 ga. CRS with tightly butted and seam welded, sealed end caps. Contains no holes that would allow air passage. Standard white high reflectance polyester powder coat finish. Stainless steel and aluminum available.

### Finish

High gloss, electrostatically applied, white powder coat finish, average minimum reflectance 92%.

### Hinge

Two braided, stainless steel cables on one side of door provide hinging.

### Door

One piece, 18 ga. steel door with baked white polyester powder coat, fully gasketed, outside door with dieformed edges eliminates seams which could entrap microscopic contaminants. Stainless steel and aluminum available.

### Gasket

White, closed cell, Flexiseal™ gasketing surrounds perimeter of lens to seal lens to door frame and around perimeter of door to seal door to housing. Another layer seals fixture to ceiling system after installation.

### Access

A gasketed access plate on top of the housing with two flattened, 7/8" diameter knockouts allows connection of vapor tight conduit fitting. Optional, above ceiling, top access door for luminaire maintenance is available and ideal for food processing and cleanroom applications.

### Lens

Lens is clear Pattern 12 acrylic with prisms positioned inside fixture and smooth surface on the outside for easy cleaning.

### Lamps

(By others.)

### Lens Retention

Unique, Particulock™ lens retention system utilizes continuous, 18 ga. media clampdowns to sandwich gasketing and integrate lens and door frame for even environmental seal.

### Ballast

Electronic Class P, CBM/ETL ballast.

### Listings

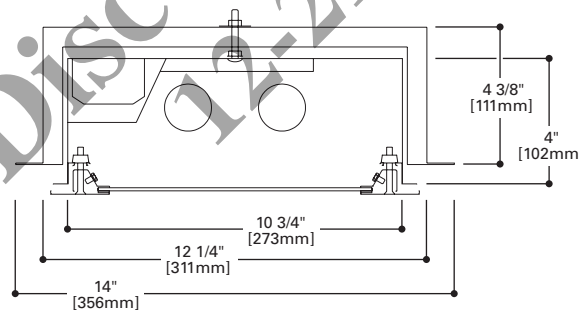
UL/cUL listed for wet location under covered ceiling. IP66 rated for standard die-formed steel, stainless steel and aluminum doors.



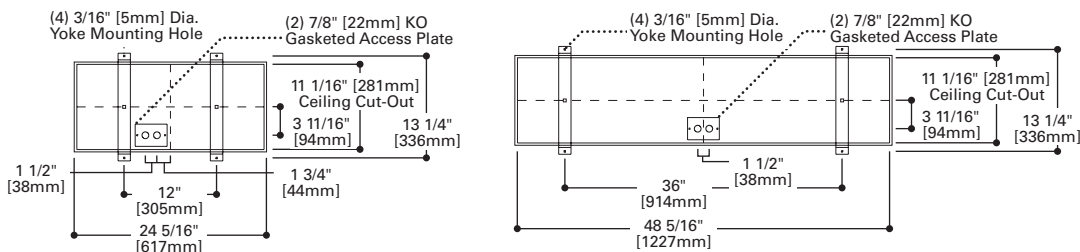
## CFF12

1x2  
1x4  
Cleanroom

RECESSED FLANGE  
Overlapping Door



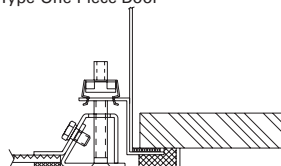
## MOUNTING DATA



Cut out Dimensions  
1x2 = 11 1/16" x 24 5/16"  
1x4 = 11 1/16" x 48 5/16"

## DOOR FRAME

Flange Type-One-Piece Door



ORDERING INFORMATION

SAMPLE NUMBER: CFF-12-332-277-IK12-EB81-GLR

Product Family	Width	Lamp Type	Voltage	Lens Type <sup>1</sup>	Ballast	Overlapping Door/Finish Options	Options
<b>CFF</b>	<b>12</b>						
<b>CFF=Fluorescent Flange Type</b>  <b>12=12" (3 lamp max.)</b>		<b>120= 120V</b> <b>277=277V</b> <b>UNV=120V-277V</b>		<b>Electronic Ballast<sup>2</sup></b> <b>EB51= (1) Ballast for use with T5 Lamp</b> <b>EB52=(2) Ballasts for use with T5Lamp</b> <b>EB81= (1) Ballast for use with T8 Lamp</b> <b>EB82=(2) Ballasts for use with T8 Lamp</b> <b>EBX1=EB1 Ballast for use with Biaxial Lamp</b> <b>EBX2=(2) Ballast for use with Biaxial Lamps</b>		<b>Blank=Steel, powder coat painted white</b> <b>ALP=Aluminum die-formed, powder coat painted white</b> <b>SSN=Stainless Steel brushed finish</b> <b>SSP=Stainless Steel, powder coat painted white</b>  <b>EL4=EM Pack, T8, BX</b> <b>EL5=EM Pack, T5, T5HO</b> <b>GLR=Fuse and Holder</b> <b>RIF=Radio Frequency Interference Filter</b> <b>TAD=Top Access Door<sup>3</sup></b> <b>AM=Anti-microbial, matte white finish<sup>4</sup></b>  <b>Housing Options</b> <b>ALH=Die formed Aluminum, powder coat painted white</b> <b>SHN=Stainless Steel, Brushed finish</b> <b>SHP=Stainless Steel, powder coat painted white</b>	
<b>2' Fixture Length</b> <b>T5 Fluorescent</b> <b>114=(1) 14W Lamp</b> <b>214=(2) 14W Lamps</b> <b>314=(3) 14W Lamps</b>  <b>124=(1) 24W Lamp</b> <b>224=(2) 24W Lamps</b>  <b>2' Fixture Length</b> <b>T8 Fluorescent</b> <b>117=(1) 17W Lamp</b> <b>217=(2) 17W Lamps</b> <b>317=(3) 17W Lamps</b>		<b>Biaxial Fluorescent</b> <b>140BX=(1) 40W Lamp</b> <b>240BX=(2) 40W Lamps</b>  <b>4' Fixture Length</b> <b>T5 Fluorescent</b> <b>128=(1) 28W Lamp</b> <b>228=(2) 28W Lamps</b> <b>328=(3) 28W Lamps</b> <b>154=(1) 54W Lamp</b> <b>254=(2) 54W Lamps</b>  <b>T8 Fluorescent</b> <b>132=(1) 32W Lamp</b> <b>232=(2) 32W Lamps</b> <b>332=(3) 32W Lamps</b>		<b>IK12=Pattern 12 Prismatic Acrylic, 0.110" thick</b> <b>IP12=Pattern 12 Prismatic Polycarbonate, 0.110" thick</b> <b>KSH25= Linear Ribbed Acrylic, 0.115" thick</b> <b>93=Prismatic Tempered Glass, 0.156" thick</b>		<b>Accessories (Order Separately)</b>  <b>MCF12-2FT=2FT Mounting Frame, not required for installation</b> <b>MCF12-4FT=4FT Mounting Frame, not required for installation</b>	

- Notes:**
- 1 Refer to Lens Ordering Guide for additional lens choices.
  - 2 For specific electronic ballast, specify brand and catalog number.
  - 3 Consult your Cooper Lighting Solutions Representative for dimensional details.
  - 4 AM finish not available with brushed finish stainless steel.

Discontinued  
12-21-2022