

# Fail-Safe

## DESCRIPTION

Fail-Safe FFL Luminaires are designed to provide efficient, crisp, white light to illuminate the desired space. Choose from five lumen packages to meet your desired footcandle levels. Visors are available for glare control and when light trespass is critical. Wireguards provide additional security. Slipfitters available to facilitate mounting. UL/cUL listed for wet locations, and IP66 rated.

Catalog #		Type
Project		
Comments		Date
Prepared by		

## SPECIFICATION FEATURES

### Construction

Fixture housing is a two-piece die-cast aluminum, clamshell design. Housing sealed with silicone gasket to ensure appropriate seal.

### Optics

High-brightness LED arrays mounted on metal core circuit boards, with heat and impact resistant tempered clear glass for protection. Lens is shatter resistant tempered clear glass.

### Listing

UL/cUL listed for wet locations. IP66 rated. Suitable for Natatorium use.

### Electrical

LED drivers mounted to die-cast aluminum housing for optimal heat dissipation and cool running operation. Standard 120-277V, 50-60 Hz, 347/480V 60 Hz 108-250 VDC.

### LED

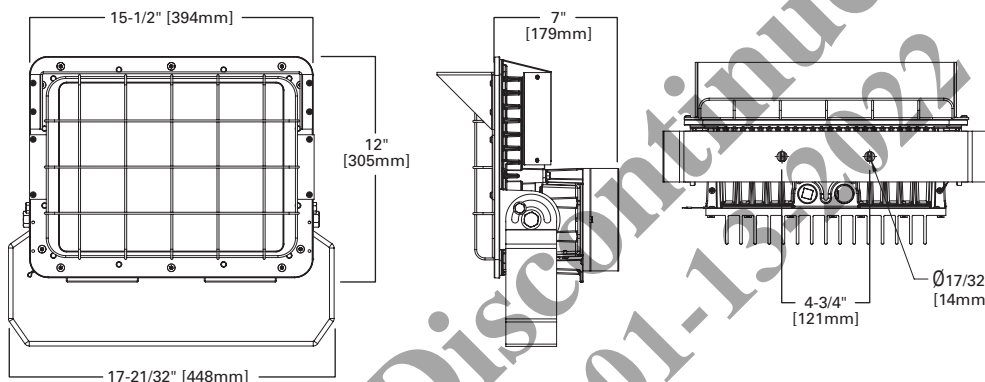
Available in 3000k and 5600k, Projected life is 60,000 hours at 70% lumen maintenance, at 55°C ambient.

### Mounting

Corrosion resistant, heavy-duty painted aluminum mounting yoke standard. Slipfitter and wall mount adapter available for additional mounting choices.

### Finish

Housing and yoke epoxy powder coat paint, industrial gray color.



EPA	
0° Tilt	1.50
45° Backwards Tilt	1.10
60° Forward Tilt	0.80

## ORDERING INFORMATION

SAMPLE NUMBER: **FFL-9L-30-UNV**

Product Family	Number of LEDs	Color Temperature	Voltage	Dimming	Accessories (ship separately, order as separate line item)
<b>FFL</b>					
FFL=Fail-Safe Flood Light	3L=3185 Lumens 5L=5180 Lumens 7L=7095 Lumens 9L=9130 Lumens 11L=11100 Lumens 13L=13100 Lumens	30=3000K <b>50=5000K</b>	<b>UNV=120-277V</b> 347=347V 480=480V	D=Dimmable Driver Blank=Non-Dimmable Driver	SC=Safety Cable BV=Bolt-on Visor BWG=Bolt-on Wireguard FSF=Floodlight Slipfitter WSFA=Wall Mount Slipfitter Adapter WSFAS=Wall Mount Slipfitter, Stainless Steel PHC/120=Photocell, 120V, field installed PHC/277=Photocell, 208-277V, field installed

Contact presale technical support for hazardous location offering. Bold items represent most commonly ordered options, and may improve delivery times.

## FFL

Fail-Safe LED

UL Listed - Wet Location  
IP66 Rated  
NEMA 4X Rated

## AMBIENT TEMPERATURE

Model	Max. Temp.
FFL-3L	65°C
FFL-5L	65°C
FFL-7L	65°C
FFL-9L	65°C
FFL-11L	65°C
FFL-13L	65°C

## WEIGHTS

Model	Weight (Lbs.)
3L, 5L	31
7L	31
9L	32
11L, 13L	32

## INPUT WATTS

Catalog Number	Input Watts
FFL-3L	28
FFL-5L	45
FFL-7L	62
FFL-9L	79
FFL-11L	99
FFL-13L	112