

DESCRIPTION

Monaco 3002N is a small scale and versatile LED inground illuminator providing a fixed upright. The Monaco 3002N is ideal for uplighting building facades, trees, columns, and other interesting site features.

Catalog #		Type
Project		
Comments		Date
Prepared by		

SPECIFICATION FEATURES

Material

Recessed housing is constructed from corrosion-proof, injection molded polyphenylene sulfide (PPS). Trim ring is constructed from corrosion-resistant brass or stainless steel.

Finish

Painted trim rings are constructed from solid brass with a polyester powdercoat paint finish. A variety of standard colors is available. Machined natural brass or stainless steel trim rings are unpainted and available in either round or square forms. Brass will patina naturally over time. Options to meet Buy American Act requirements

Lens

Domed 1/2" thick tempered glass lens, factory sealed with high temperature gasket to prevent water intrusion. Suitable for drive-over* applications to 5000 lbs.

Hardware

Stainless steel hardware is standard to provide maximum corrosion-resistance. Outer trim ring includes captive fasteners.

Electrical

LED fixtures include an integral, universal input driver (120V - 277V).

LED Light Engine

LED light engine is included and comes equipped with (7) 3-watt white LEDs. Factory configurable optics allow for four optical distributions. High CRI of 85 with excellent color consistency of +/-50K color temperature.

Dimming

The LED light engine is dimmable to 15% with electronic low voltage equipment (ELV dimmers need a neutral connection in the wall box).

Warranty

Lumière warrants its fixtures against defects in materials & workmanship for three (3) years. Driver carries the original manufacturer's warranty.

Recessed Housing

Recessed housing is provided with two 3/4 inch NPS threaded conduit entries. The recessed housing is available to ship in advance of complete fixture for rough-in purposes. Specify option -LBB and order recessed housing and accompanying components from below:

Recessed housing:
3000-BBR
3000-BBS

Recessed housing with fusing:
3000-BBR-FUS
3000-BBS-FUS



MONACO

3002N
LED

APPLICATIONS:
NON-ADJUSTABLE INGROUND

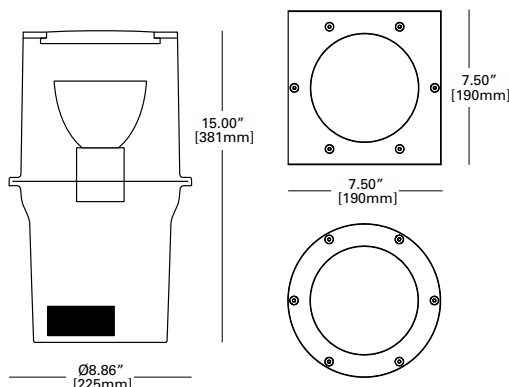


CERTIFICATION DATA

UL and cUL Wet Location Listed
LM79 / LM80 Compliant
ROHS Compliant
IP68 Ingressed Protection Rated

TECHNICAL DATA

25 Watt Max. LED
50°C Maximum Temperature Rating



ORDERING INFORMATION

Sample Number: 3002N-RD-18LED3000-MFL-CLR-UNV-BZ

Domestic Preferences ²	Series	Trim	Source	Distribution	Top Glass	Voltage	Finish ¹	Other
[Blank]=Standard BAA=Buy American Act	3002N=Monaco 3002 LED Non-Adjustable Aiming	RD=Round SQ=Square	18LED2700= 18W LED, 2700K, 85 CRI 18LED3000= 18W LED, 3000K, 85 CRI 18LED3500= 18W LED, 3500K, 85 CRI 18LED4000= 18W LED, 4000K, 85 CRI 25LED2700= 25W LED, 2700K, 85 CRI 25LED3000= 25W LED, 3000K, 85 CRI 25LED3500= 25W LED, 3500K, 85 CRI 25LED4000= 25W LED, 4000K, 85 CRI	SP=9° Spot NFL=15° Narrow Flood MFL=25° Medium Flood WFL=40° Wide Flood	CLR=Clear Top Glass DIF=Diffuse Top Glass NSL=Non-Slip Lens	UNV=120-277V 50/60Hz, electronic driver	Painted BK=Black BZ=Bronze CS=City Silver VE=Verde WT=White Premium Material NSS=Natural Stainless Steel NBR=Natural Brass	LBB=Less Back Box FUS=Fusing

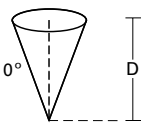
*Drive over fixtures not qualified for roadway or heavy traffic applications.

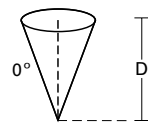
NOTES: 2 Only product configurations with this designated prefix are built to be compliant with the Buy American Act of 1933 (BAA). Please refer to DOMESTIC PREFERENCES website for more information. Components shipped separately may be separately analyzed under domestic preference requirements. 3. Accessories sold separately will be separately analyzed under domestic preference requirements. Consult factory for further information.

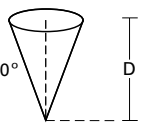
ACCESSORIES 3

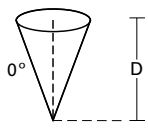
Filters (4.95" Diameter)	Optical Lenses (4.95" Diameter)	Optical Louvers (4.95" Diameter)	Light Control	Electrical
F71-38 = Peach Dichroic F72-38 = Amber Dichroic F73-38 = Green Dichroic F74-38 = Medium Blue F75-38 = Yellow Dichroic F76-38 = Red Dichroic F77-38 = Dark Blue Dichroic F78-38 = Light Blue Dichroic F79-38 = Neutral Density Dichroic F80-38 = Magenta Dichroic F22-38 = Red Color F33-38 = Blue Color F44-38 = Green Color F55-38 = Yellow Color F66-38 = Mercury Vapor	LSL-38 =Linear Spread Lens (elongates standard beam spread) DIF-38 =Diffused Lens (provides even illumination) OSL-38 =Overall Spread Lens (increases standard beam spread)	LVR-38 =45° Hex Cell Louver (reduces glare)	3000-RG =Rock Guard 3000-SG =Straight Glare Shield 3000-AG =Above ground	3000-FUS =Fusing Package

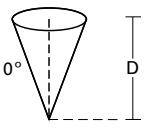
PHOTOMETRY

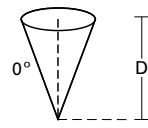
3002A-18LED3000-SP				
Test No.	P166840			
CCT	3000K			
Lumens	967 Lm			
Watts	16.6 W			
LPW	58.3 Lm/W			
Beam Angle	8.9°			
Field Angle	17.2°			
CBCP	30118 cd			
CONE OF LIGHT				
				
D	FC	L	W	
10'	301.2	1.4	1.4	
20'	75.3	3	3	
30'	33.5	4.6	4.6	
40'	18.8	6.2	6.2	

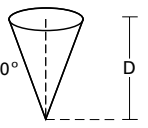
3002A-18LED3000-NFL				
Test No.	P166839			
CCT	3000K			
Lumens	971 Lm			
Watts	16.6 W			
LPW	58.5 Lm/W			
Beam Angle	13.9°			
Field Angle	24°			
CBCP	14995 cd			
CONE OF LIGHT				
				
D	FC	L	W	
10'	149.9	2.4	2.4	
20'	37.5	4.8	4.8	
30'	16.7	7.2	7.2	
40'	9.4	9.6	9.6	

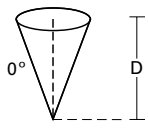
3002A-18LED3000-MFL				
Test No.	P166838			
CCT	3000K			
Lumens	912 Lm			
Watts	16.6 W			
LPW	55.5 Lm/W			
Beam Angle	22.8°			
Field Angle	48.7°			
CBCP	4010 cd			
CONE OF LIGHT				
				
D	FC	L	W	
10'	40.1	3.8	3.8	
20'	10	7.6	7.6	
30'	4.5	11.4	11.4	
40'	2.5	15.2	15.2	

3002A-18LED3000-WFL				
Test No.	P166841			
CCT	3000K			
Lumens	947 Lm			
Watts	16.6 W			
LPW	57.0 Lm/W			
Beam Angle	36.2°			
Field Angle	53.2°			
CBCP	2674 cd			
CONE OF LIGHT				
				
D	FC	L	W	
10'	26.7	6	6	
20'	6.7	12	12	
30'	3	18	18	
40'	1.7	23.4	23.4	

3002A-25LED3000-SP				
Test No.	P253142			
CCT	3000K			
Lumens	1232 Lm			
Watts	25.1 W			
LPW	49.1 Lm/W			
Beam Angle	8.9°			
Field Angle	17.2°			
CBCP	38343 cd			
CONE OF LIGHT				
				
D	FC	L	W	
10'	383.4	1.4	1.4	
20'	95.9	3	3	
30'	42.6	4.6	4.6	
40'	24	6.2	6.2	

3002A-25LED3000-NFL				
Test No.	P253141			
CCT	3000K			
Lumens	1237 Lm			
Watts	25.1 W			
LPW	49.3 Lm/W			
Beam Angle	13.9°			
Field Angle	24.0°			
CBCP	19090 cd			
CONE OF LIGHT				
				
D	FC	L	W	
10'	172.2	2.4	2.4	
20'	43.1	4.8	4.8	
30'	19.1	7.2	7.2	
40'	10.8	9	9	

3002A-25LED3000-MFL				
Test No.	P253140			
CCT	3000K			
Lumens	1162 Lm			
Watts	16.7 W			
LPW	46.3 Lm/W			
Beam Angle	22.8°			
Field Angle	48.7°			
CBCP	5104 cd			
CONE OF LIGHT				
				
D	FC	L	W	
10'	51	3.8	3.8	
20'	12.8	7.6	7.6	
30'	5.7	11.4	11.4	
40'	3.2	15.2	15.2	

3002A-25LED3000-WFL				
Test No.	P253143			
CCT	3000K			
Lumens	1205 Lm			
Watts	25.1 W			
LPW	48 Lm/W			
Beam Angle	36.2°			
Field Angle	53.2°			
CBCP	3404 cd			
CONE OF LIGHT				
				
D	FC	L	W	
10'	34	6	6	
20'	8.5	12	12	
30'	3.8	18	18	
40'	2.1	23.4	23.4	

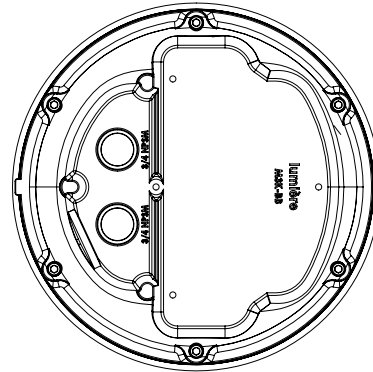
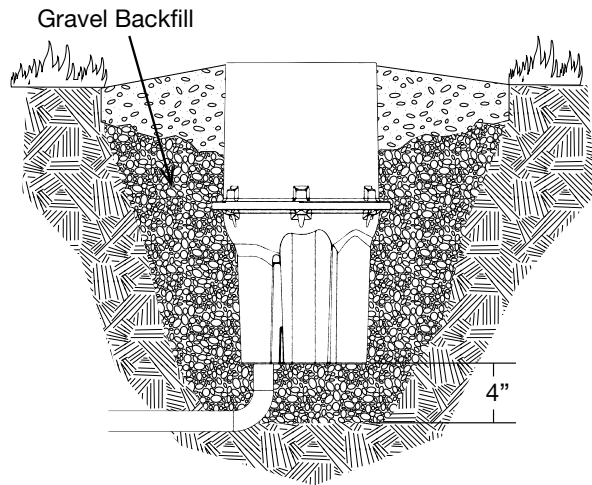
CCT/CRI	2700K / 90 CRI	3000K / 80 CRI	3500K / 80 CRI	4000K / 80 CRI
Lumen Multiplier	0.729	1.000	1.123	1.057

TECHNICAL NOTES

INSTALLATION NOTES

Caution: To prevent water, dirt and debris from collecting, install fixture to allow runoff. Do not install fixture in areas where water can collect for long periods of time. Appropriate drainage must be provided.

Excavated hole must be approximately 15" in diameter by 20" in depth. Fixture must be installed with a minimum 4" depth of pea gravel or equivalent drainage base. Backfill an additional 8" depth of pea gravel on lower portion of fixture for soil stability. For more detailed installation instructions and warnings consult factory.



Bottom view of recessed housing showing two 3/4 inch NPS conduit entries.