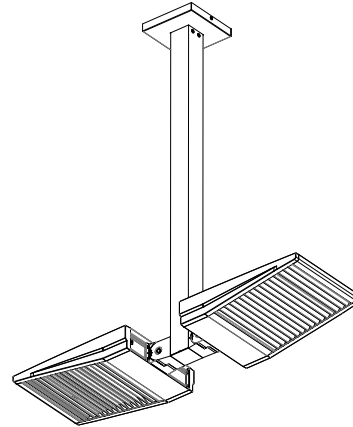
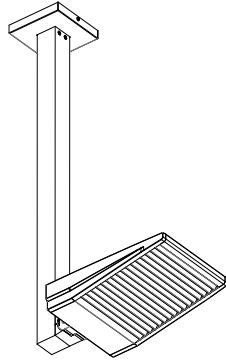


ASYX 2.0 Single Pendant and Dual Pendant Installation Instructions



IMPORTANT: Read carefully before installing fixture. Retain for future reference.

⚠ WARNING

Risk of Electric Shock. Disconnect power at fuse or circuit breaker before installing or servicing.

⚠ WARNING

Risk of Fire/Electric Shock. If not qualified, consult an electrician.

⚠ WARNING

Disconnect all power before proceeding with installation.

⚠ WARNING

Proper grounding is required to ensure personal safety.

⚠ WARNING

Risk of burn. Use protective gear to ensure to ensure personal safety.

Note: This product must be installed in accordance with the applicable installation code by a certified electrician, familiar with the construction and operation of the product and hazards involved.

Note: Wet locations listed.

Note: Fixture in compliance with UL 1598 and UL

Note: To prevent wiring damage or abrasion, do not expose wiring to edges of sheet metal or any sharp objects.

Note: MAX ambient temperature 40°C for all fixture except L6 which is rated to 30°C ambient.

Note: All electrical wire from junction box to fixture head to be provided by others and follow local codes.

Note: Ensure mounting surface can support fixture head(s) and entire pendant assembly.

Note: Before installation, please check the weight of ASYX fixtures to ensure loading capacity of the building mount base (provided by others) to be suitable for the weight of the entire fixture including pendant mount means. Installation shall comply with local codes. Ensure mounting surface can support fixture head(s) and entire pendant assembly. Max weight of Dual Pendant 120lbs.

Note: Ensure all screws are torqued to proper settings.

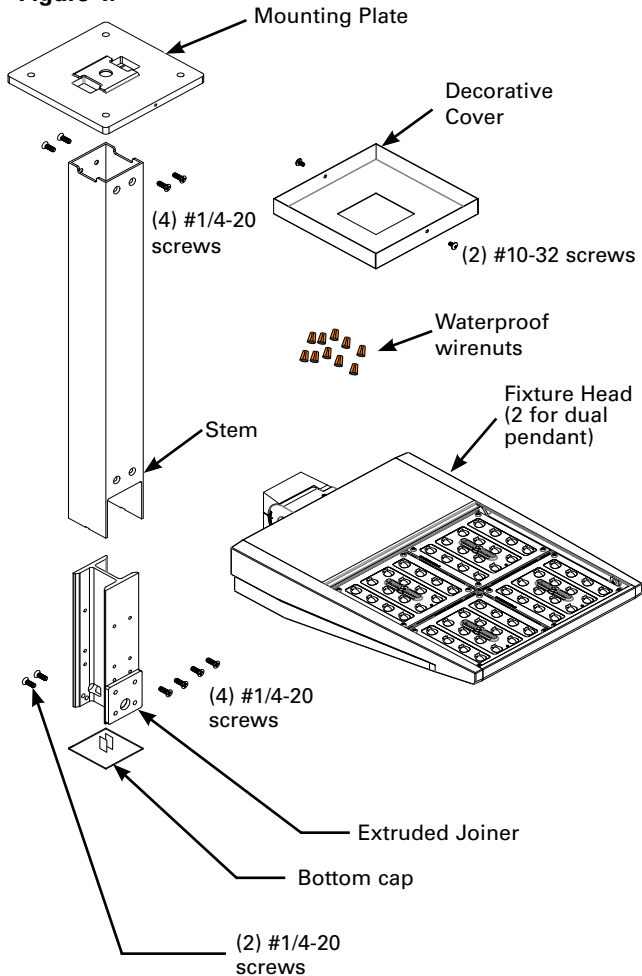
Note: Ensure mounting hardware is minimum of 3/8" grade 2 hardware (stainless is required if in corrosive environment) with minimum proof load of 3000 lb.

Description: The ASYX 2.0 second generation of asymmetric lighting is designed for general ambient illumination and accenting architectural features. The luminaire allows for both forward and wide distributions as well four different color temperatures to accommodate any space. IP66 rated. **Construction:** Heavy-wall die cast aluminum end caps with extruded aluminum housing. Housing fins allow for air flow and thermal management. Fixture housing is coated using electrostatically charged polyester powder coat paint for superior protection against fade and wear.

INSTALLATION

1. Unpack ASYX 2.0 pendant fixture and ensure that all included parts are present. (Figure 1.)

Figure 1.



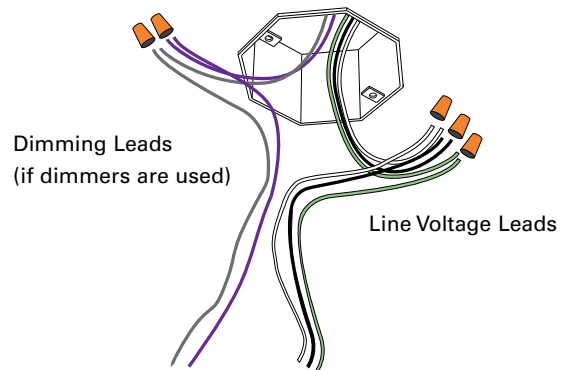
Note: Not included and to be provided by others:

- All electrical wires (other than from fixture head)
- 3/8" diameter mounting hardware (ensure adequate support)

2. Measure stem length. Supply electrical wires, that equal the stem length plus additional 1-2 ft as needed. Locate ceiling junction box and connect line voltage power leads to the measured out electrical wires as shown and connect dimming wires if applicable. Connect wires with provided waterproof wire nuts. Tuck all wires and waterproof wire nuts into junction box (after Step 4.b) (Figure 2.)

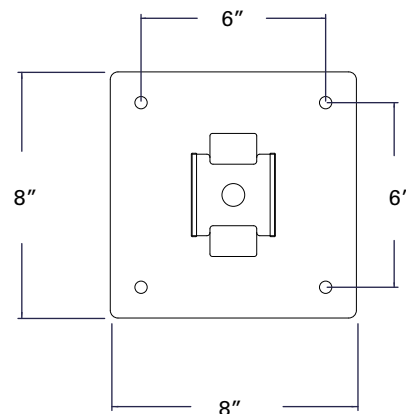
Wiring Table:	
	Black - Hot
	White - Neutral
	Green - Ground
	Purple - 0-10V (+)
	Gray - 0-10V (-)

Figure 2.



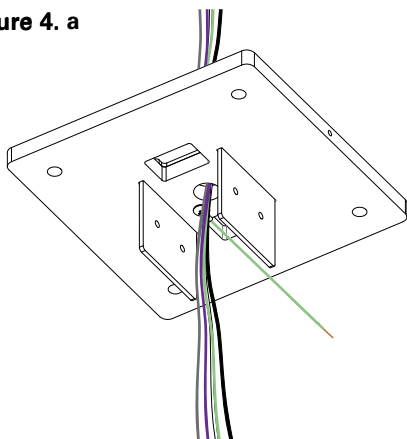
3. Mounting Plate. Provide adequate backing and support for fixture head(s) and entire pendant assembly. See (Figure 3.) for mounting hole locations.

Figure 3.



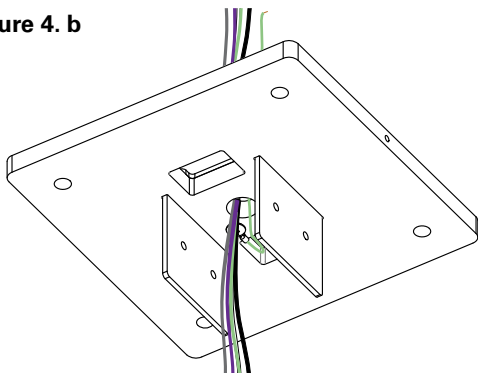
4. a) Feed all connected line voltage wires through center hole of mounting plate. (Figure 4. a).

Figure 4. a



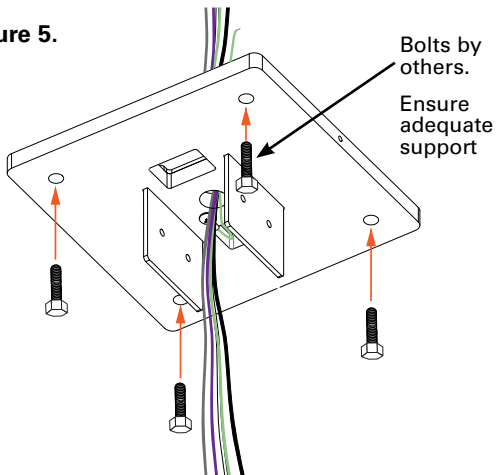
- b) Feed ground wire back through center hole and connect to ground from electrical junction box by others, with waterproof wire nut. (Figure 4. b).

Figure 4. b



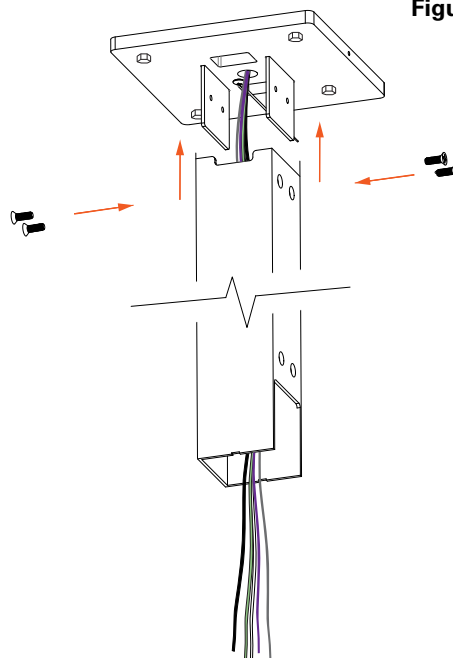
5. Attach mounting plate to secured structure using 3/8" bolts by others. Ensure adequate support. (Figure 5).

Figure 5.



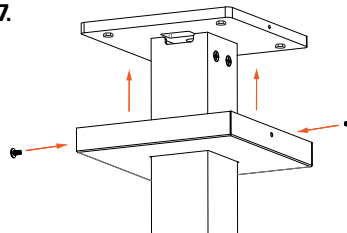
6. Attach pendant stem to mounting plate with (4) #1/4-20 screws (Figure 6.)

Figure 6.



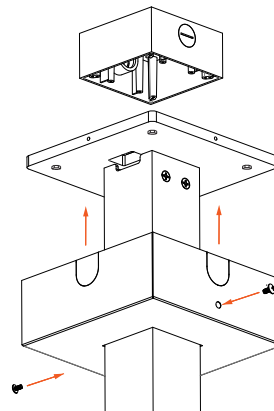
7. Slide decorative cover through pendant stem and attach with (2) #10-32 screws (Figure 7.)

Figure 7.



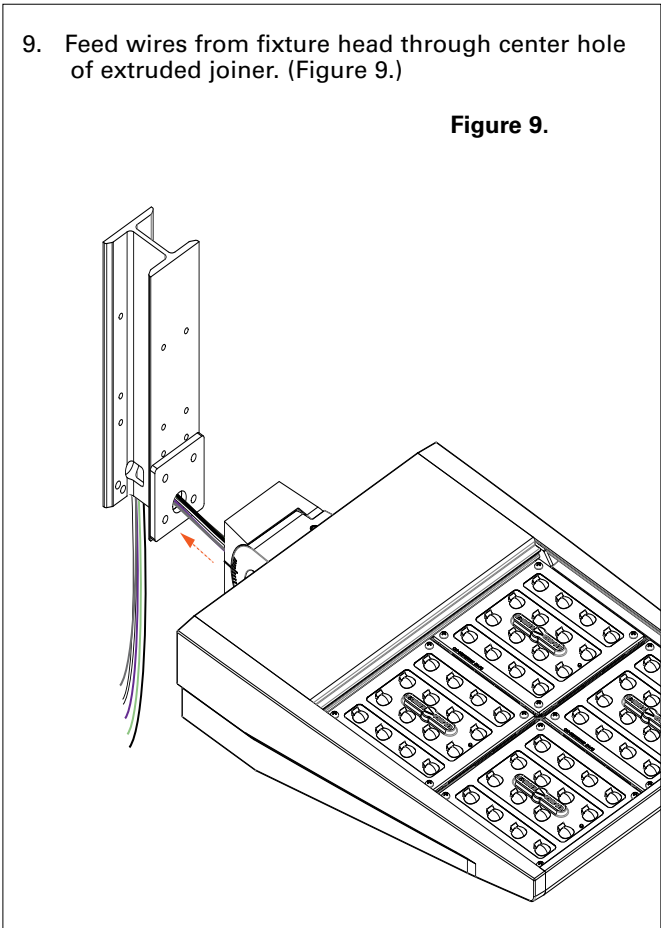
8. For the "C" Surface Canopy Mount, junction box is covered up by decorative cover and slides through pendant stem and attaches with (2) #10-32 screws. Knockouts on decorative cover allow for side conduit entry. (Figure 8.)

Figure 8.



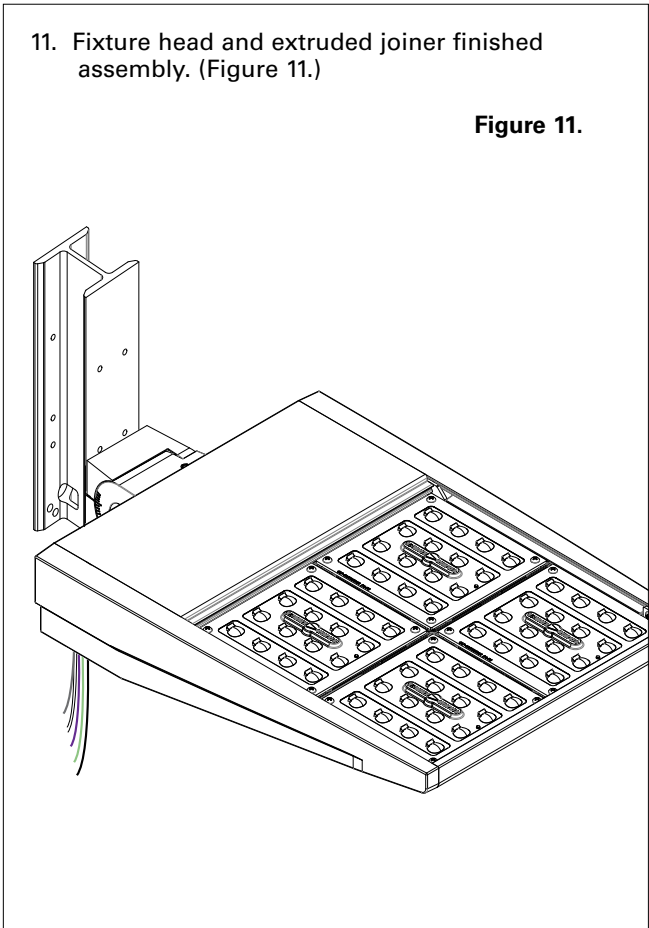
9. Feed wires from fixture head through center hole of extruded joiner. (Figure 9.)

Figure 9.



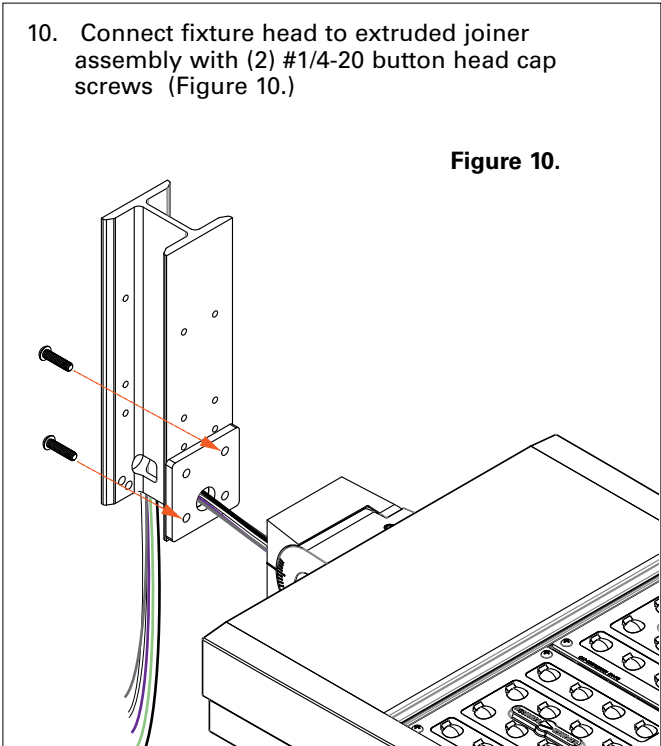
11. Fixture head and extruded joiner finished assembly. (Figure 11.)

Figure 11.



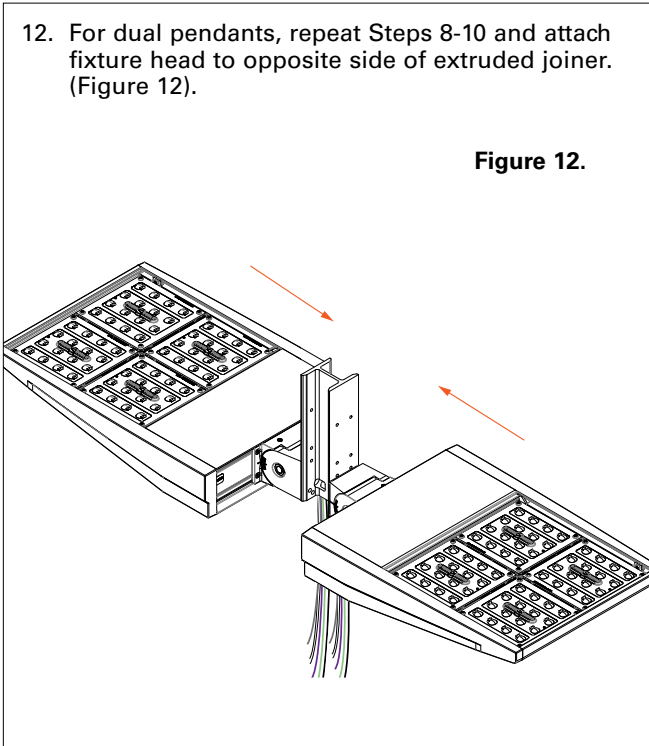
10. Connect fixture head to extruded joiner assembly with (2) #1/4-20 button head cap screws (Figure 10.)

Figure 10.



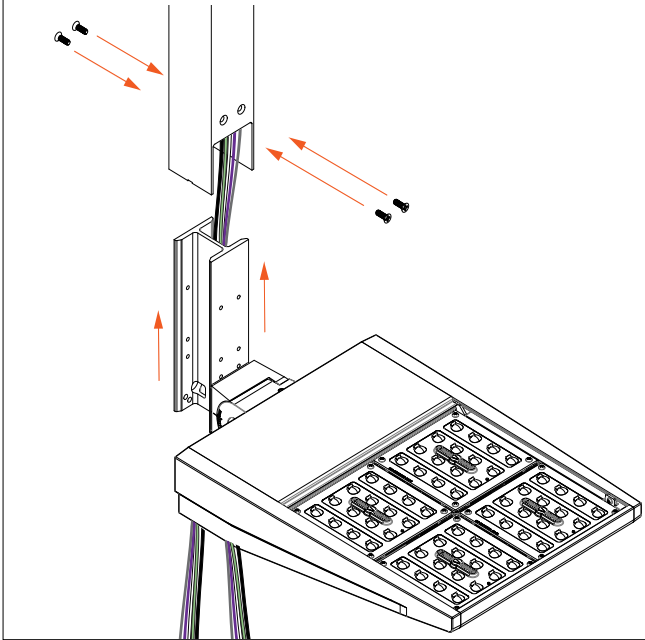
12. For dual pendants, repeat Steps 8-10 and attach fixture head to opposite side of extruded joiner. (Figure 12.)

Figure 12.



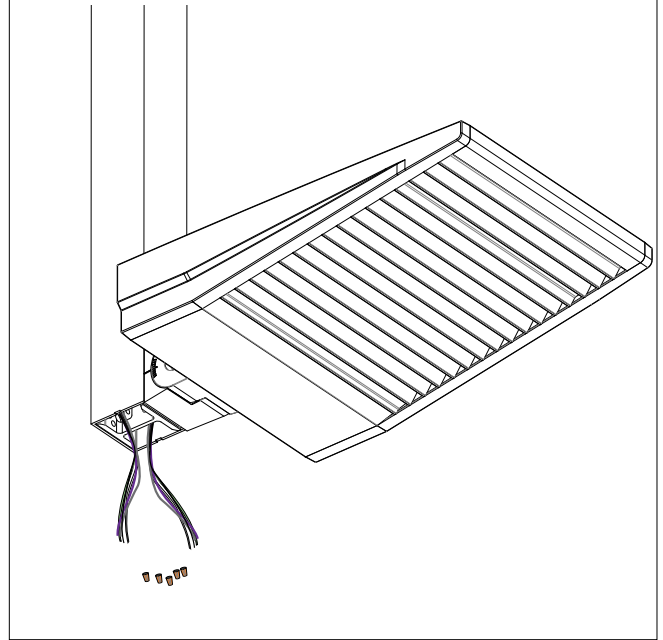
13. Lift fixture head assembly up into pendant stem and secure with (4) # 1/4-20 screws. Level fixtures as needed (see Figure 14). (Figure 13).

Figure 13.



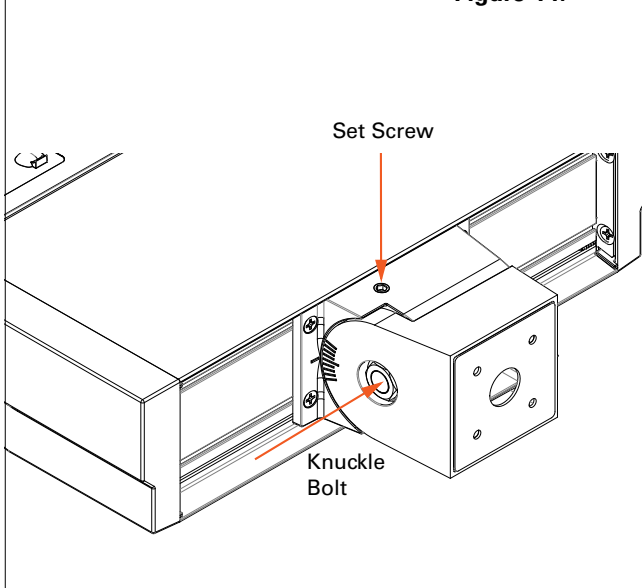
15. Connect electrical wires from pendant stem to fixture head electrical wires with waterproof wires nuts. Tuck wires into pendant stem. (Figure 15).

Figure 15.



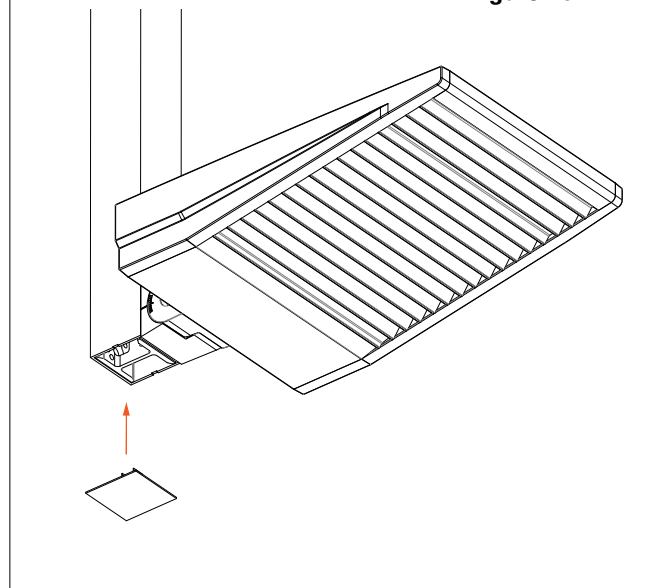
14. To level and adjust angle of fixture head, loosen knuckle bolt with socket wrench, and use an allen wrench to adjust aiming by turning set screw on top of fixture to desired angle. (Figure 14).

Figure 14.



16. Snap on bottom cover to bottom of pendant stem. (Figure 16).

Figure 16.



Warranties and Limitation of Liability

Please refer to www.cooperlighting.com for our terms and conditions.

Garanties et limitation de responsabilité

Veillez consulter le site www.cooperlighting.com pour obtenir les conditions générales.

Garantías y Limitación de Responsabilidad

Visite www.cooperlighting.com para conocer nuestros términos y condiciones.

Cooper Lighting Solutions
1121 Highway 74 South
Peachtree City, GA 30269
P: 770-486-4800
www.cooperlighting.com

© 2020 Cooper Lighting Solutions
All Rights Reserved
Printed in USA
Imprimé aux États-Unis
Impreso en los EE. UU.
Publication No. TD518000EN
09/29/2015

Cooper Lighting Solutions is a registered trademark. All trademarks are property of their respective owners.

Cooper Lighting Solutions est une marque de commerce déposée. Toutes les autres marques de commerce sont la propriété de leur propriétaire respectif.

Cooper Lighting Solutions es una marca comercial registrada. Todas las marcas comerciales son propiedad de sus respectivos propietarios.

Product availability, specifications, and compliances are subject to change without notice

La disponibilité du produit, les spécifications et les conformités peuvent être modifiées sans préavis

La disponibilidad de productos, las especificaciones y los cumplimientos están sujetos a cambio sin previo aviso