

DESCRIPTION

High efficiency, low brightness 6-inch aperture shallow housing for use with 18W or 26W double twin tube compact fluorescent lamps. Standard features include low iridescent finish on all reflector colors and venting to ensure maximum lamp life and lumen output. Lensed or crossblade optics offer unparalleled performance in glare free lighting with a smooth beam devoid of hot spots.

Catalog #		Type
Project		
Comments		Date
Prepared by		

SPECIFICATION FEATURES

Optical Reflector

.050 thick aluminum, available in a variety of Alzak® finishes. Precision cut and assembled crossblades are finished to match reflector. Positive reflector spring mounting pulls trim tight to ceiling.

Lens

Choice of prismatic, diffuse, or clear glass lenses or molded prismatic acrylic, opal diffuser, or clear UV stabilized acrylic.

Crossblade

Lower spun parabolic reflector with 90° louvers, .050 thick aluminum in a variety of Alzak® finishes.

Mechanical Housing Mounting Frame

One piece precision die cast aluminum 3/4" deep collar accommodates varying dimensions of ceiling materials.

Universal Mounting Bracket

Accepts 1/2" EMT, C Channel, T bar fasteners, and bar hangers. Adjusts 5" vertically from above or below ceiling.

Conduit Fittings

Die cast screw tight connectors.

Junction Box

Listed for eight #12AWG (four in, four out) 90°C conductors feed through branch wiring. 1/2" and two 3/4" pry outs. Positioned to allow straight conduit runs. Access to junction box by removing reflector.

Trim Ring Options

Self flanged or molded white trim ring. Rimless accessories available.

Trim Retention

Lower reflector is retained with two torsion springs holding the flange tightly to the ceiling.

Socket Connector

One piece die cast aluminum connection allows venting for maximum thermal performance.

Rotary Lock Socket

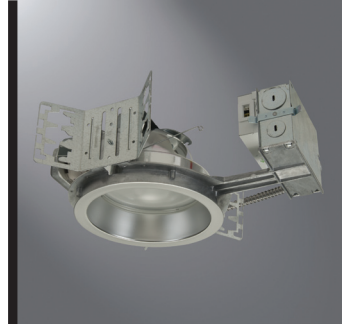
4-pin base with fatigue free stainless steel lamp spring ensures positive lamp retention.
13W Lamp G24q1
18W Lamp G24q2
26W Lamp G24q3

Electronic Ballast

Electronic ballast provides full light output and rated lamp life. Provides flicker free and noise free operation and starting. End of lamp life protection is standard.

Labels

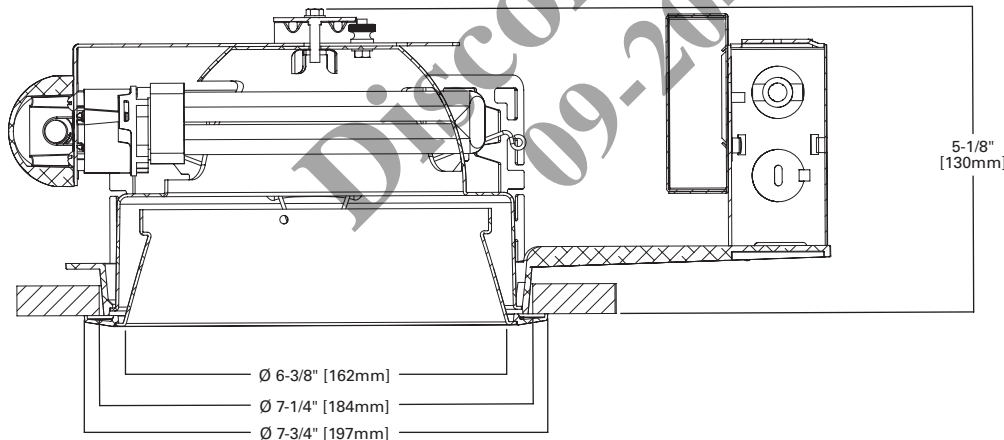
cULus listed, standard wet label. Meets IECC, ASHRAE, and Title 24 commercial standards.



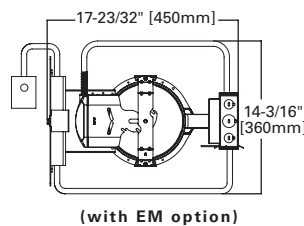
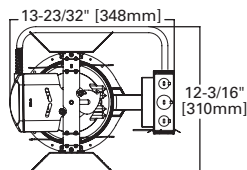
CD6S226
CD6S218
CD6S213
6CLS226W

13W, 18W or 26W DTT
Compact Fluorescent

6-Inch Horizontal
Lensed Downlight



Top View



ENERGY DATA	
(2) 13W DTT	
Ballast: Electronic	
120V Input Watts: 31	Line Amps: 0.26
277V Input Watts: 31	Line Amps: 0.12
(2) 18W DTT	
Ballast: Electronic	
120V Input Watts: 37	Line Amps: 0.32
277V Input Watts: 37	Line Amps: 0.14
(2) 26W TTT	
Ballast: Electronic	
120V Input Watts: 50	Line Amps: 0.45
277V Input Watts: 50	Line Amps: 0.20
Power Factor: >0.99	THD: <10%
Min. Starting Temperature: -18°C (0°F)	
Sound Rating: Class A Standards	

NOTES: Accessories should be ordered separately. For additional options, please consult your Cooper Lighting Solutions Representative. Alzak is a registered trademark of Aluminum Company of America.

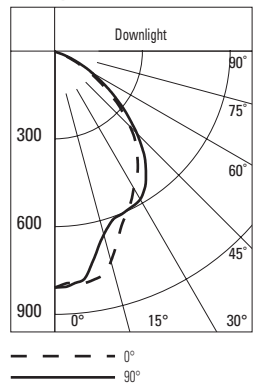
EXAMPLE: CD6S218E 6CLS2261L1

Housing	Ballast	Options	Trims	Finish	Lens	Option	Accessories
<p>CD6S226=6" horizontal shallow 2-lamp 26W DTT</p> <p>CD6S218=6" horizontal shallow 2-lamp 18W DTT</p> <p>CD6S213=6" horizontal shallow 2-lamp 13W DTT</p>	<p>E=120/277V 50/60Hz Electronic</p> <p>3E=347V Electronic</p> <p>D5LT=120-277V Fifth Light (DALI) Dimming³</p> <p>3D5LT=347V Fifth Light (DALI) Dimming³</p> <p>D=120-277V Dimming Lutron EcoSystem/3-Wire Control (Factory Wired for 3-Wire)³</p> <p>DMARKVII=18W or 26W 120-277V Advance MARK 7</p> <p>1DMARKX=18W or 26W 120V Advance MARK 10</p> <p>2DMARKX=18W or 26W 277V Advance MARK 10</p>	<p>CP=Chicago Plenum</p> <p>EM=Emergency Module with remote test switch²</p>	<p>6CLS2261=6" reflector self flanged</p> <p>6CLS2260=6" reflector polymer trim ring</p> <p>Alzak® Finishes</p> <p>LI=Specular Clear</p> <p>H=Semi-Specular Clear</p> <p>WMH=Warm Haze</p> <p>G=Gold</p> <p>WH=Wheat</p> <p>WHH=Wheat Haze</p> <p>GP=Graphite</p> <p>GPH=Graphite Haze</p> <p>B=Black</p> <p>Painted Finishes</p> <p>W=Gloss White</p> <p>WB=White Baffle (polymer trim ring only)</p> <p>BB=Black Baffle (polymer trim ring only)</p>		<p>1=Prismatic Acrylic Lens</p> <p>2=Diffuse Acrylic Lens</p> <p>3=Clear Acrylic Lens</p> <p>1G=Prismatic Glass Lens</p> <p>2G=Diffuse Glass Lens</p> <p>3G=Clear Glass Lens</p> <p>5=Crossblade</p>	<p>WF=White Painted Flange</p>	<p>HB26=C Channel Bar Hangers, 26" Long, Pair</p> <p>HB50=C Channel Bar Hangers, 50" Long, Pair</p> <p>TRRC6P=White Rimless Trim Ring¹</p> <p>FK5=5 Amp Field Installable Fuse Kit 300V Max</p> <p>RMB22=Wood Joist Bar Hanger, 22" Long, Pair</p> <p>TRMC6=CFL Metal Trim Ring¹</p>

Notes: ¹Order trim with polymer trim ring. ² Not available with Chicago Plenum. ³ Not available with 13W. (Consult specification sheet for ordering information and options).

PHOTOMETRICS

Candlepower Distribution Curve



Test No. P13430
 CD6S226E-6CLS2261L1
 Lumens = 3600
 Efficiency = 39.0%
 Lamp = 26W DTT
 SC = 1.04 - 1.08

Cone of Light

Distance Fixture to Lighted Plane	Initial Footcandles at Nadir	L/W	
5.5'	27	5.4'	5.8'
7.5'	14	7.3'	7.8'
8'	13	7.8'	8.4'
10'	8	9.8'	10.6'
12'	6	11.8'	12.6'

Candela Distribution

Degrees Vertical	Candela
0	801
5	789
15	738
25	592
35	492
45	364
55	202
65	71
75	7
85	1
90	0

Zonal Lumen Summary

Zone	Lumens	%Fixture
0-30	534	38.0
0-40	848	60.4
0-60	1317	93.7
0-90	1405	100.0
90-180	0	0.0
0-180	1405	100.0

Luminance

Average Candela/M ² Degrees	Avg. 0° Luminance
45	24989
55	17096
65	8155
75	1313
85	557