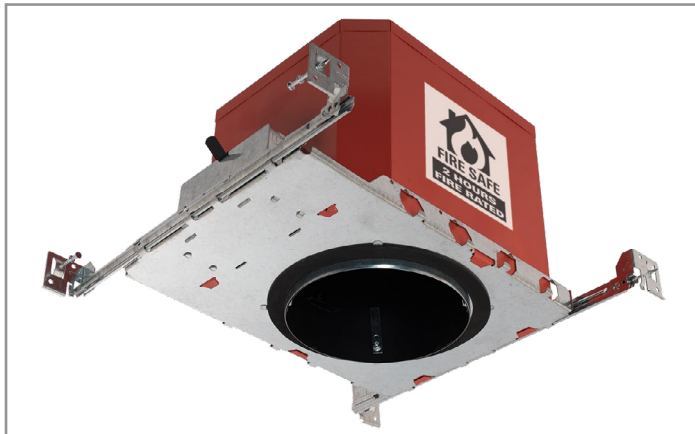


Project		Catalog #		Type	
Prepared by		Notes		Date	



# HALO

## H750FR2ICAT

6" Fire Safe Housing  
2 Hours Fire Rated

### Typical Applications

- For Use in Insulated Ceilings
- For Direct Contact with Insulation
- AIR-TITE Housing Restricts Airflow Between Conditioned and Unconditioned Areas

### Interactive Menu

- Order Information page 2
- Product Warranty

### Product Certification



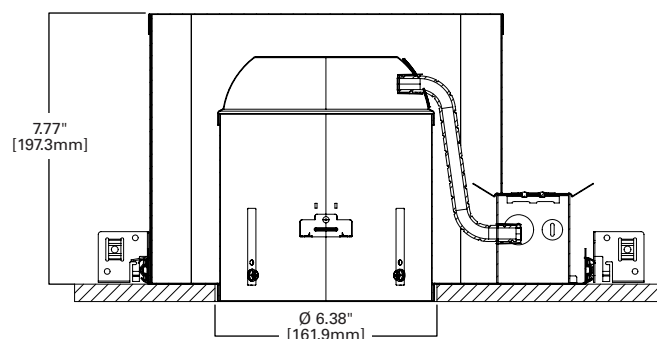
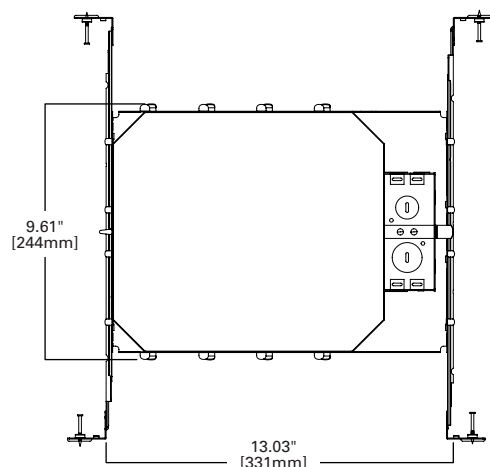
### Product Features



### Top Product Features

- For use with LED integrated trims or modules
- Fire rated in accordance to UL 263 for up to 2 hours of protection from the passage of flames and toxic gases into ceiling plenums
- Suitable for use in multi-family and mixed-use applications requiring up to 2 hours of protection
- AIR-TITE™ per ASTM E283

### Dimensional and Mounting Details



## Order Information

SAMPLE ORDER NUMBER: **H750FR2ICAT, RL56069S1EWHR**

A complete luminaire consists of a housing, LED integrated trim or LED module and trim; order separately.

Housing	Compatible Trims
<b>H750FR2ICAT</b> = 6" fire safe new construction housing for LED integrated trims or modules	SMD6, SLD6, LT56, LA56, RL56, RA56 and ML56 series

## Product Specifications

### Housing

- Die formed galvanized steel housing with non-combustible fiber insulation
- Sound transmission class (STC) and impact insulation class (IIC) tested by a certified acoustical testing lab. STC and IIC exceeds recommendations for reducing noise including spoken word and footfalls in multifamily and mixed-use structures
- Outer housing painted red for fire safe identification
- Inner housing painted matte black for a visually dark interior
- Housing provides up to 2 hours of protection in L500, L505, L511, L536, L538, L541, L556, L577, M500, M510, M521 and M543 Floor-Ceiling construction

### Plaster Frame

- Galvanized steel plaster frame with integral bar hanger receivers

### Bar Hangers

- Bar hangers with pre-installed nail support housing at any point along span
- Captive nail penetrates standard and engineered lumber
- Adjusts from 13-5/8" to 25" wide
- Can be repositioned along short side or long side of plaster frame

### Junction Box

- Compact galvanized steel junction box with 24in3 internal volume
- (5) conduit knock-outs positioned to allow straight conduit runs
- Accepts 14-2, 14-3, 12-2, 12-3 U.S. and 14-2, 14-3, 12-2 Canadian NM cable
- (3) 3-port push wire nuts with clear caps for quick and reliable mains voltage connections

### Connector

- Two-conductor wire mount connector is rated for 120V and mates with HALO integrated trims

### Code Compliance

- Type IC inherently protected, suitable for direct contact to air permeable insulation and cULus 1598 listed for damp locations
- UL263 listed for up to 2 hours in L500, L505, L511, L536, L538, L541, L556, L577, M500, M510, M521 and M543 Floor-Ceiling construction
- Not for use in direct contact with spray foam insulation, consult NEMA LSD57-2013
- Wet location listed in covered ceilings and IP44 certified with select trims
- Airtight per ASTM-E283-04
- Suitable for use in clothes closets when installed in accordance with the NEC 410.16 spacing requirements
- Contains no mercury or lead and RoHS compliant

### Warranty

- Five year limited warranty, consult website for details [www.cooperlighting.com](http://www.cooperlighting.com).