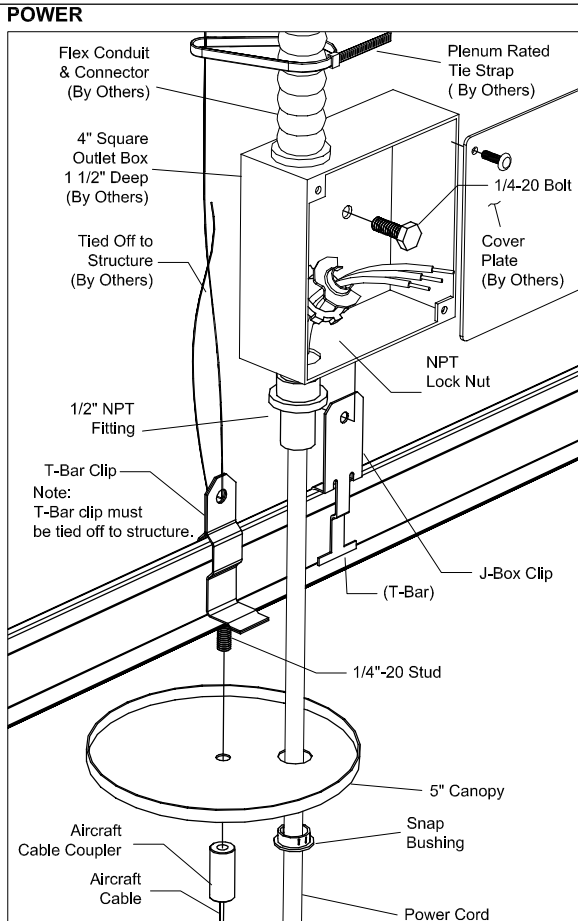


Corelite luminaires are precision tooled for simple trouble free contractor installation. Standard aircraft cable connects directly to a 1/4-20 stud at all mounts. Suspension points are 4'-0", 8'-0" or 12'-0" on center. Standard drop lengths are 12", 15", 18", 21", 24" & 27". Optional cable adjuster (AC48,AC120,AC240,AC300,AC360).

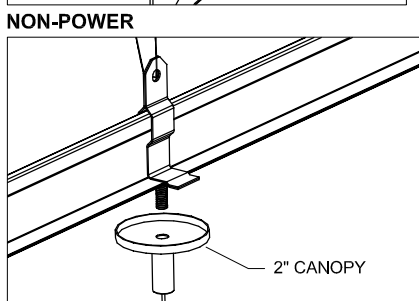
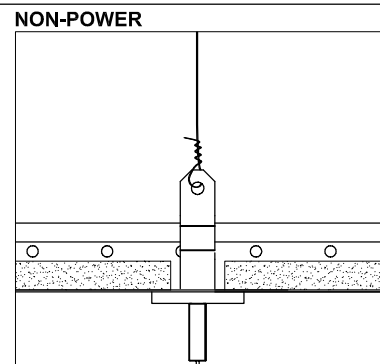
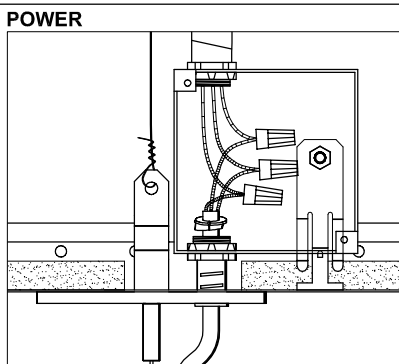
T-BAR - STANDARD INTERFACE (Connection at Ceiling) Aircraft Cable Mounting AC-_-T1

MOUNT DETAILS

*FOR ALL CORELITE SUSPENDED LUMINAIRES



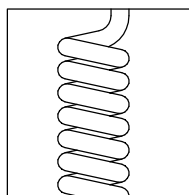
J-Box should be oriented as shown.



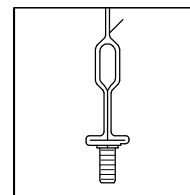
FIXTURE INSTALLATION SEQUENCE:

OPTIONS:

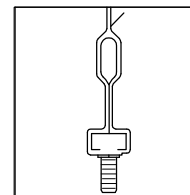
1. Layout mounting locations.
2. Ensure that power feed is at the UL end of the fixture.
Power feed: to be installed to local/national electrical codes by a Certified Electrician.
3. Install T-Bar clip to T-Bar and tie back to structure.
4. Place canopy over caddy clip stud and attach aircraft cable.
5. At the end of the 4 x 4 Square Outlet Box break KO in corner and secure 1/2" NPT fitting to box.
6. Clip J-Box Clip to T-Bar.
7. Secure J-Box to J-Box Clip using 1/4"-20 bolt.
8. Secure Snap Bushing to canopy and align up to NPT fitting.
9. Install solid or flexible conduit from power source to 1/2" cable fitting and secure to tie wire using Plenum Rated Tie Strap.
10. Feed power cord through canopy and J-Box, then install metal strain relief.
11. Attach wires ensuring all connections are properly matched.
12. Cover J-Box using appropriate cover plate.



Curly Cord (AK):
SJT - 18/3 or
SJT - 18/4
Curly Cord



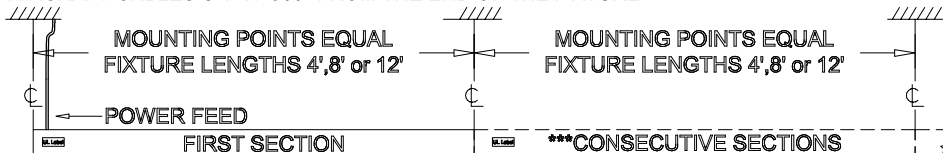
9/16" T-Bar (T9):
This option provides a T-Bar Clip for 9/16" wide T-Bar.



Slot T-Bar (TS):
This option provides a T-Bar Clip for 9/16" x 5/16" slotted T-Bar.

MOUNTS LOCATIONS

AIRCRAFT CABLES SIT IN .368" FROM THE END OF THE FIXTURE.



Corelite luminaires are precision tooled for simple trouble free contractor installation. Standard aircraft cable connects directly to a 1/4"-20 stud at all mounts. Suspension points are 4'-0", 8'-0" or 12'-0" on center. Standard drop lengths are 12", 15", 18", 21", 24" & 27". Optional cable adjuster (AC48, AC120, AC240, AC300, AC360).

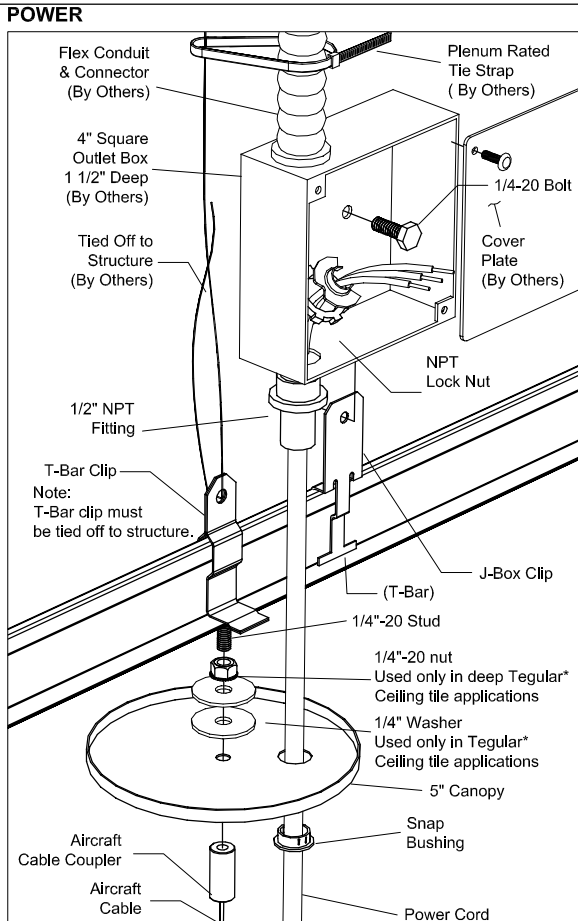
T-BAR - **TEGULAR CEILING INTERFACE (Connection at Ceiling)

Aircraft Cable Mounting

AC_-T1

MOUNT DETAILS

*FOR ALL CORELITE SUSPENDED LUMINAIRES

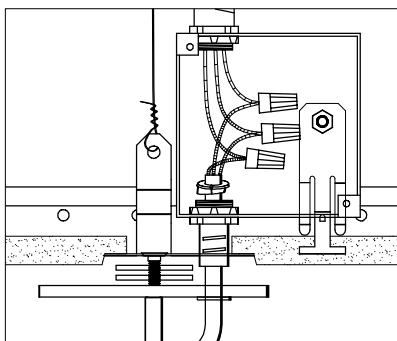


J-Box should be oriented as shown.

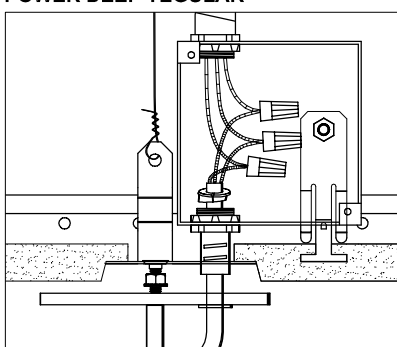
FIXTURE INSTALLATION SEQUENCE:

1. Layout mounting locations.
 2. Ensure that power feed is at the UL end of the fixture.
Power feed: to be installed to local/national electrical codes by a Certified Electrician.
 3. Install T-Bar clip to T-Bar and tie back to structure.
 4. Place canopy over caddy clip stud and attach aircraft cable.
- For Tegular Ceiling Tile applications use (2) 1/4" washers (supplied) for spacing between the canopy and the ceiling tile.
- For Deep Tegular Ceiling Tile applications use 1/4"-20" nut (supplied) for spacing between the canopy and the ceiling tile.
5. At the end of the 4 x 4 Square Outlet Box break KO in corner and secure 1/2" NPT fitting to box.
 6. Clip J-Box Clip to T-Bar.
 7. Secure J-Box to J-Box Clip using 1/4"-20 bolt.
 8. Secure Snap Bushing to canopy and align up to NPT fitting.
 9. Install solid or flexible conduit from power source to 1/2" cable fitting and secure to tie wire using Plenum Rated Tie Strap.
 10. Feed power cord through canopy and J-Box, then install metal strain relief.
 11. Attach wires ensuring all connections are properly matched.
 12. Cover J-Box using appropriate cover plate.

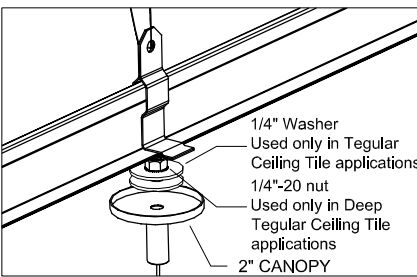
POWER TEGULAR**



POWER DEEP TEGULAR**



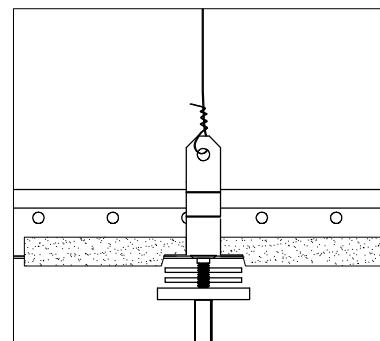
NON-POWER



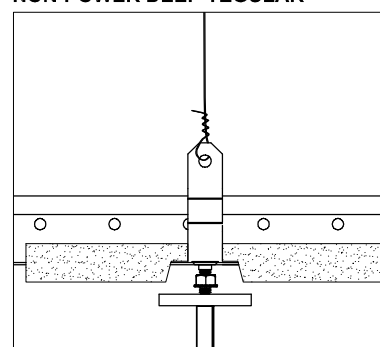
****All tegular installs must consult factory. Depth of tegular tile will dictate length of 1/4"-20 stud and a 1/4"-20 nut may be required. Depth of tegular tile is required upon sign-off.**

Tegular Depth: _____

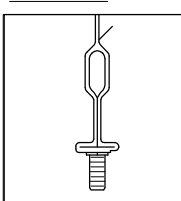
NON-POWER TEGULAR**



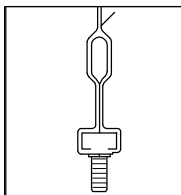
NON-POWER DEEP TEGULAR**



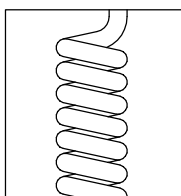
OPTIONS:



9/16" T-Bar (T9):
This option provides a T-Bar Clip for 9/16" wide T-Bar.



Slot T-Bar (TS):
This option provides a T-Bar Clip for 9/16" x 5/16" slotted T-Bar.



Curly Cord (AK):
SJT - 18/3 or
SJT - 18/4
Curly Cord

***Standard Stud Lengths are 3/4". If Deep Tegular Tile Installation is required, a 1 1/2" stud will be provided.

MOUNTS LOCATIONS

AIRCRAFT CABLES SIT IN .368" FROM THE END OF THE FIXTURE.

