

## DESCRIPTION

A 6-inch aperture lensed wall wash for use with PAR30L or PAR38 LED lamps. The precisely formed specular internal reflector and glass spread lens direct a broad spread of illumination on vertical surfaces. The spread lens provides a smoother wash of light than can be obtained by PAR adjustables.

Catalog #		Type
Project		
Comments		Date
Prepared by		

## SPECIFICATION FEATURES

### Reflector/Lens Assembly

Lamp is inclined 15° for optimum wallwash distribution. Optical assembly rotates 365° within housing and has knurl nut to maintain setting. Reflector/lens assembly is keyed to prevent improper orientation relative to lamp. Torsion springs pull trim tight to ceiling.

### Housing

Precision die-cast aluminum 1-1/2" (38mm) deep collar.

### Universal Mounting Bracket

Accepts 1/2" EMT, C Channel, T bar fasteners and hanger bars. Provides 5" total adjustment.

### Conduit Fittings

Die-cast screw tight connectors.

### Junction Box

Listed for four in, four out #12 at 90°C pull through branch wiring. Pry-outs for four 1/2" and two 3/4" conduits. Access to junction box through panel in side of housing.

### Socket

Medium base porcelain socket with nickel plated screw shell.

### Insulation Detector

Self-resetting insulation detector opens circuit if insulation is improperly installed.

### Labels

cULus listed, damp location

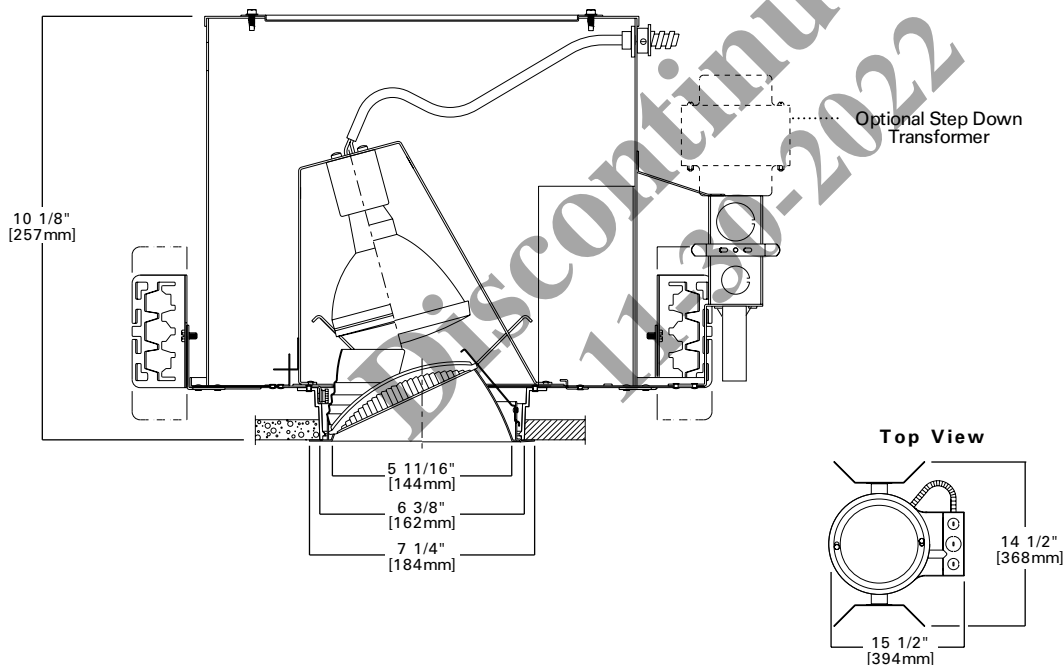


**HLW6**  
**6481/6483**

12 - 30W  
PAR30L/38

6-Inch  
Wall Wash

## DIMENSIONS



## ORDERING INFORMATION

Housing	Options	Max Wattage Label	Trims	Finish	Option	Accessories
HLW6=6" PAR Lamp Lens Wall Wash	CP=Chicago Plenum	WL12=12W WL20=20W WL25=25W WL30=30W	6481=6" Self Flanged 6480=6" Metal Trim Ring, White	B=Specular Black GPH=Graphite Haze H=Semi-Specular Clear LI=Specular Clear MW=Matte White WH=Wheat WMH=Warm Haze	WF=White Painted Flanged (Self Flanged only)	H277=Step Down Transformer, 300VA Max HB26=C Channel Bar Hangers, 26" Long, Pair HB50=C Channel Bar Hangers, 50" Long, Pair RMB-22=Wood Joist Bar Hanger, 22" Long, Pair