

Installation Instructions for the Sure-Lites SRPA Double Head Wet Location Remote

⚠ WARNING**Risk of Fire / Electric Shock**

If not qualified, consult an electrician.

⚠ WARNING**Risk of Electric Shock**

Disconnect power at fuse or circuit breaker before installing or servicing.

IMPORTANT SAFEGUARDS

When using electrical equipment, basic safety precautions should always be observed including the following:

- READ AND FOLLOW ALL SAFETY INSTRUCTIONS
- Do not use in hazardous locations, or near gas or electric heaters.
- Do not let power supply cords touch hot surfaces.
- Do not use this equipment for other than the intended use.
- Installation is to be performed only by qualified personnel.
- Install in accordance with National Electric Code and local regulatory agency requirements.
- The use of accessory equipment not recommended by the manufacturer may cause an unsafe condition.
- Equipment should be mounted in locations and at heights where it will not readily be subjected to tampering by unauthorized personnel.
- SAVE THESE INSTRUCTIONS

Maximum Mounting Height: 8.6 ft.

CONNECTING REMOTE HEADS

1. Determine where the remote head(s) will be mounted. Distance from the emergency light will be limited by the size or type of wire used. See Table 1.
2. Open the emergency light by inserting a flat screwdriver in the two slots on the side of the unit, then turning to separate housing from the backplate.
3. To mount to a junction box - Drill out the appropriate mounting pattern and the wire pass hole in the backplate and the back gasket to fit the J-box being used. To mount to conduit – Unscrew the ½” NPT plug located at the top of the fixture and screw in the user-supplied conduit hub.
4. Once the backplate is secured, the housing can be held in place during installation with the help of the two plastic strips (see Fig. 1 next page).
5. De-energize the circuit at the emergency light driving the remotes.
6. Connect the purple and yellow wires on the PCB to the wires leading to the remote. Purple is positive(+). Yellow is negative(-). Connect the wires using wire nuts. Maximum wire length will depend on wire gage. See Table 1.
7. Adjust the heads as needed. The SRPA Remote lenses utilize a highly directional beam, and the lenses can be rotated to adjust the beams to the front or sides of the fixture (see Fig. 2 next page).

Table 1

INPUT VOLTS	Maximum Circuit Distance per Remote (ft.)	
	4.8 VDC	6.0 VDC
10 Gage	200.2	250.3
12 Gage	125.9	157.6
14 Gage	79.2	99.0
18 Gage	31.3	39.1

OPERATION

Depress the test switch briefly . The LED heads will light and the charge LED will extinguish. Afterwards, the charge LED will illuminate and the LED heads will turn off.

MAINTENANCE

None required.

NOTE: Servicing of any parts should be performed by qualified personnel. Only use replacement parts supplied by Cooper Lighting Solutions.

TROUBLE SHOOTING GUIDE

If LED heads or charge indicator LED does not illuminate, check the following:

1. Check AC supply – verify that unit has 24 hour AC supply.
2. Unit is shorted or battery is not connected.
3. Battery discharged. Permit unit to charge for 24 hours and then re-test.
4. If following the above trouble shooting hints does not solve your problem, contact your local Cooper Lighting Solutions representative for assistance.

SCHEMATIC

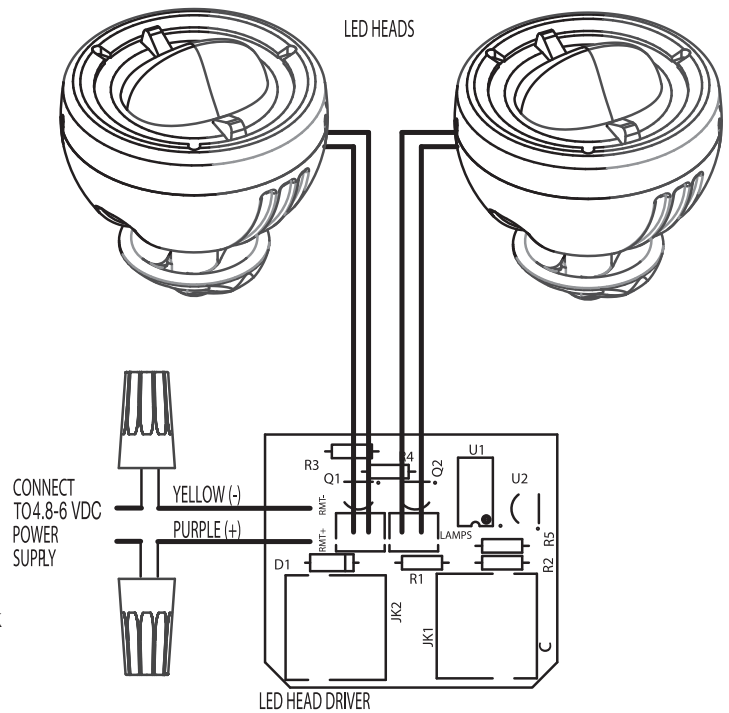


Figure 1

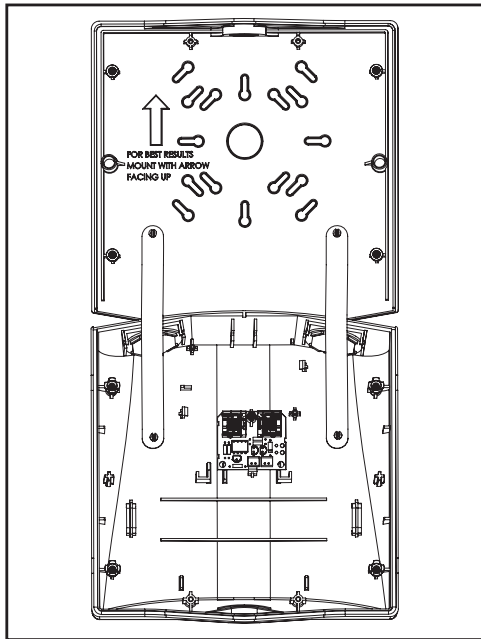


Figure 2

