

Project		Catalog #		Type	
Prepared by		Notes		Date	



# HALO Commercial

PR8S10 | PR8S15 | PR8S20 |  
PR8S30 | PRSR40 | PR8M12 |  
PR8M34

8-inch LED surface-mount cylinder with shallow lensed downlight optic

### Typical Applications

Office • Healthcare • Hospitality • Institutional • Mixed-Use/Retail

### Interactive Menu

- Order Information [page 2](#)
- Product Specifications [page 3](#)
- Photometric Data [page 4](#)
- Energy & Performance Data [page 6](#)
- Product Warranty

### Product Certification



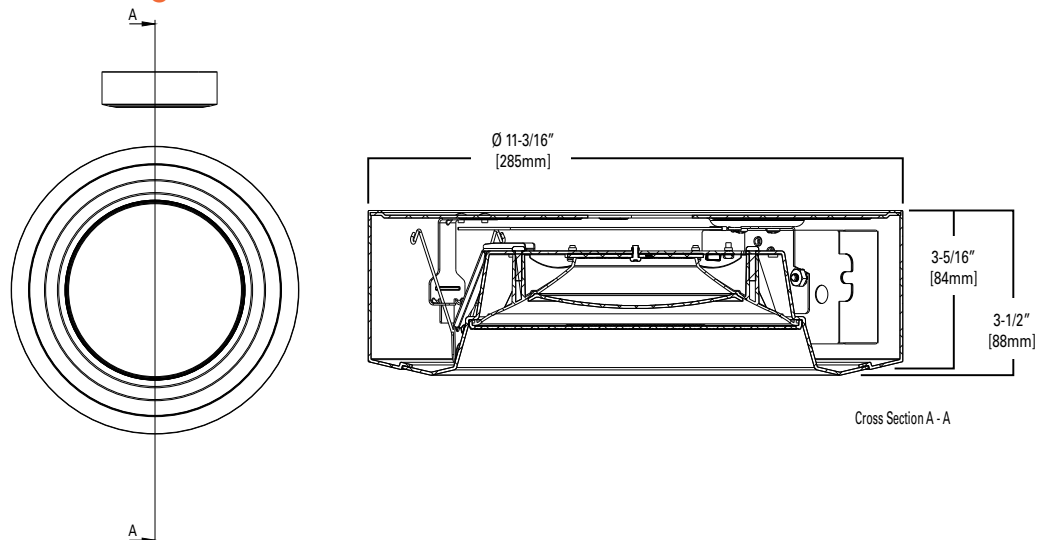
### Product Features



### Top Product Features

- Surface-mount downlight; 1,000 to 4,000 lumens
- Medium and Wide interchangeable lens distributions; Wall wash accessory kit option
- Selectable color temperatures: 3000K, 3500K and 4000K CCT; 80 CRI
- Matte White, Matte Black and Matte Metallic Silver finishes
- Universal voltage 120V-277V; Standard 0-10V driver dims to 1%

### Dimensional and Mounting Details



## Order Information

### CYLINDER SAMPLE NUMBER: PR8S40D010MW

A complete luminaire consists of a cylinder and LED module, order separately.

Frame	Lumens	Driver	Finish
<b>PR8S</b> = 8" aperture LED downlight surface mount cylinder	<b>10</b> = 1,000 lumens (nominal) <b>15</b> = 1,500 lumens (nominal) <b>20</b> = 2,000 lumens (nominal) <b>30</b> = 3,000 lumens (nominal) <b>40</b> = 4,000 lumens (nominal)	<b>D010</b> = 120-277V 50/60Hz, 0-10V 100% to 1% dimming	<b>MW</b> = Matte White <b>MB</b> = Matte Black <b>MMS</b> = Matte Metallic Silver

### MODULE SAMPLE NUMBER: PR8M34MDMW

A complete luminaire consists of a frame and LED module, order separately.

LED Module	Shielding	Flange Finish	Accessories
<b>PR8M12</b> = Downlight LED module for PR8 series, provides 1000, 1500 or 2000 lumens (nominal) depending on connected frame type <b>PR8M34</b> = Downlight LED module for PR8 series, provides 3000 or 4000 lumens (nominal) depending on connected frame type	<b>MD</b> = Medium distribution plastic lens <b>WD</b> = Wide distribution plastic lens	<b>MW</b> = Matte White <b>MB</b> = Matte Black <b>MMS</b> = Matte Metallic Silver	<b>PR8WW</b> = Field Installed wall wash optic for PR8M12 and PR834 modules <b>PR8MD</b> = Replacement 8" medium distribution lens for PR8M12 and PR8M34 modules <b>PR8WD</b> = Replacement 8" wide distribution lens for PR8M12 and PR8M34 modules

## Product Specifications

### Housing

- One-piece spun aluminum surface-mount housing
- Suitable for use for new construction or renovation work
- Available in powder-coat matte white, matte black and painted metallic silver finishes

### Mounting

- Provided with mounting pattern for direct ceiling installation to most 3-1/2" round, and 4" round, octagon and square junction boxes (installer to confirm compatible hole pattern)

### LED Module

- Integrated self-flanged reflector with finish options of matte white, matte metallic silver, and black
- LED array uses a plurality of mid-power surface-mount LED packages delivering high flux and excellent efficiency
- Patented SeleCCTable™ technology allows the color temperature to be selected in the field, providing flexibility and reduces ordering complexity
- Selectable color temperatures in 3000K, 3500K and 4000K correlated color temperature (CCT)
- Lumen options include 1,000, 1,500, 2,000, 3,000 and 4,000 lumens (nominal)
- Available in 80 color rendering index (CRI)
- Color accuracy within 3 SDCM provides color consistency and uniformity (refer to chromaticity information for details)
- Integral connector allows for quick connection to the housing flex
- Passive thermal management achieves 50,000 hours at 70% lumen maintenance (L70) in insulated ceilings (IC) and non-IC applications

### LED Module - Optics

- Interchangeable polymer lens pre-installed in LED module
- Available in medium and wide distribution patterns and can be interchanged without tools
- Optional field-installed wall wash kit offers 360° rotation, allowing the housing to be installed in any orientation

### LED Module - Retention

- Module retained with two torsion springs holding the LED module tightly to the finished ceiling surface

### Driver

- Field-replaceable constant current driver provides low noise operation
- Universal 120-277VAC 50/60Hz input standard
- Continuous, 1% to 100% dimming with 0-10V analog control

### Compliance

- cULus Certified to UL 1598 / C22.2 No. 250.0, suitable for damp locations and wet locations in covered ceilings only
  - IP55 rated
  - EMI/RFI emissions FCC CFR Title 47 Part 15 Class A at 120/277V
  - Contains no mercury or lead and RoHS compliant
  - Photometric testing completed in accordance of IES LM-79-08 and TM-30-15
  - Lumen maintenance projection in accordance of IES LM-80-08 and TM-21-11
  - May be used to comply with State of California Title 24 non-residential code as a dimmable LED luminaire
  - ENERGY STAR® certified, reference certified light fixtures database
- \*Not for use in direct contact with spray foam insulation, consult NEMA LSD57-2013

### Warranty

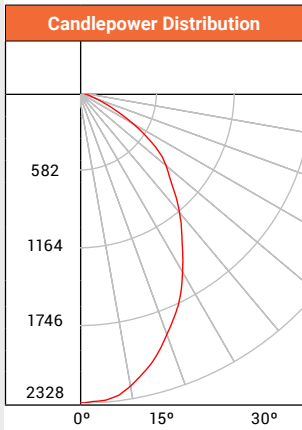
- Five year limited warranty, consult website for details. [www.cooperlighting.com/legal](http://www.cooperlighting.com/legal)

## Photometric Data

[View IES files](#)

### MEDIUM DISTRIBUTION PHOTOMETRY

PR8S40D010 - PR8M34MDMW - 3500K  
 Spacing Criteria = 1.04  
 Lumens per Watt = 96.4 Lm/W  
 Test No. P210615  
 Test Model: PR8S40D010-PR8M34MDMW-3500K



Zonal Lumen Summary		
Zone	Lumens	% Fixture
0-30	1614	38.5
0-40	2461	58.7
0-60	3839	91.5
0-90	4195	100

Candela Distribution	
Degrees Vertical	Candela
0*	2328
5	2314
10	2234
20	1929
30	1554
40	1174
50	855
60	468
70	142
80	11
90	0

Luminance	
(Average Candela/M <sup>2</sup> )	
Degree	Avg. 0° Luminance
45	43273
55	36950
65	20335
75	7184
85	0

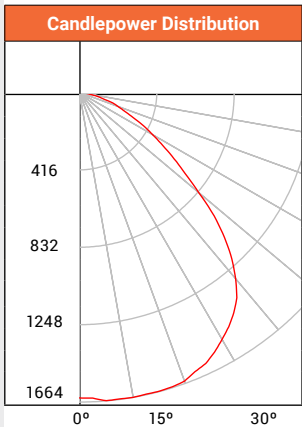
Cone of Light Footcandles			
Distance to Illuminated Plane	Initial Nadir Footcandles	Beam (ft.)	
		L Length	W Width
5.5'	77	5.6	5.6
7'	47.5	7.2	7.2
8'	36.4	8.2	8.2
9'	28.7	9.2	9.2
10'	23.3	10.2	10.2
12'	16.2	12.4	12.4

Beam diameter is to 50% of maximum footcandles, rounded to the nearest half-foot. Footcandle values are initial, apply appropriate light loss factors where necessary.

\*CBCP

### WIDE DISTRIBUTION PHOTOMETRY

PR8S40D010 - PR8M34WDMW - 3500K  
 Spacing Criteria = 1.37  
 Lumens per Watt = 95.9 Lm/W  
 Test No. P210645  
 Test Model: PR8S40D010-PR8M34WDMW-3500K



Zonal Lumen Summary		
Zone	Lumens	% Fixture
0-30	1367	32.8
0-40	2267	54.3
0-60	3670	88
0-90	4172	100

Candela Distribution	
Degrees Vertical	Candela
0*	1641
5	1663
10	1664
20	1651
30	1533
40	1306
50	838
60	456
70	221
80	61
90	0

Luminance	
(Average Candela/M <sup>2</sup> )	
Degree	Avg. 0° Luminance
45	48127
55	33429
65	23210
75	15667
85	11393

Cone of Light Footcandles			
Distance to Illuminated Plane	Initial Nadir Footcandles	Beam (ft.)	
		L Length	W Width
5.5'	54.3	7.4	7.4
7'	33.5	9.4	9.4
8'	25.7	10.8	10.8
9'	20.3	12.2	12.2
10'	16.4	13.6	13.6
12'	11.4	16.2	16.2

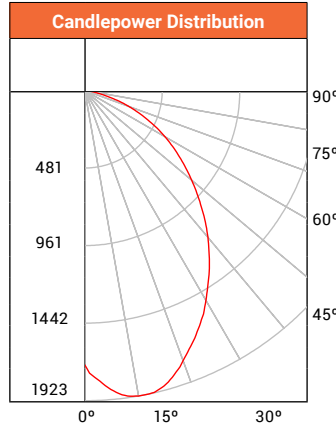
Beam diameter is to 50% of maximum footcandles, rounded to the nearest half-foot. Footcandle values are initial, apply appropriate light loss factors where necessary.

\*CBCP

## WALL WASH PHOTOMETRY

PR8S40D010 - PR8M34WW - 3500K  
 Spacing Criteria = 0.99  
 Lumens per Watt = 81.1 Lm/W  
 Test No. P210675  
 Test Model: PR8S40D010-PR8M34WW-3500K

Zonal Lumen Summary		
Zone	Lumens	% Fixture
0-30	1207	34.2
0-40	1869	53
0-60	2999	85
0-90	3528	100



Candela Distribution	
Degrees Vertical	Candela
0*	1699
5	1860
10	1923
20	1782
30	1502
40	1189
50	866
60	576
70	292
80	60
90	0

Luminance (Average Candela/M <sup>2</sup> )	
Degree	Avg. 0° Luminance
45	44638
55	38547
65	31514
75	18110
85	5201

Single Unit Footcandles								
2.5' from wall (distance from fixture along wall)								
1	43.8	31.9	14.4	5.7	2.4	1	0.5	
2	62.9	50.8	29.1	14.5	7.1	3.5	1.8	
3	50.2	43.3	29	17	9.6	5.4	3.1	
4	34.3	30.8	23.1	15.4	9.7	6	3.7	
5	23	21.2	17.1	12.5	8.7	5.8	3.9	
6	15.6	14.7	12.5	9.8	7.3	5.2	3.7	
7	10.9	10.4	9.1	7.5	5.9	4.5	3.3	
8	7.9	7.5	6.8	5.8	4.7	3.8	2.9	
9	5.8	5.6	5.1	4.5	3.8	3.1	2.5	
10	4.4	4.2	3.9	3.5	3	2.6	2.1	

Multiple Unit Footcandles			
2.5' from wall (spacing between fixtures)			
1	49.6	44.5	49.6
2	77.4	79.5	77.4
3	67.2	72.7	67.2
4	49.7	54.4	49.7
5	35.5	38.7	35.5
6	25.4	27.4	25.4
7	18.4	19.6	18.4
8	13.6	14.3	13.6
9	10.3	10.7	10.3
10	7.9	8.2	7.9

Multiple Unit Footcandles			
2.5' from wall (spacing between fixtures)			
1	46.2	28.9	46.2
2	69.9	58.2	69.9
3	59.7	58	59.7
4	44	46.3	44
5	31.7	34.2	31.7
6	22.9	24.9	22.9
7	16.8	18.2	16.8
8	12.6	13.5	12.6
9	9.6	10.2	9.6
10	7.4	7.9	7.4

Specifications and dimensions subject to change without notice.

## Energy & Performance Data

Lumens	1000 Series	
Input Voltage 120-277VAC	120V	277V
Input Current (A)	0.09	0.04
Input Power (W)	10.5	11.2
THD: ≤ 20%		
PF: ≥ 0.90		
T Ambient -30 - +40°C		
Sound Rating ≤ 22dba		

Lumens	1500 Series	
Input Voltage 120-277VAC	120V	277V
Input Current (A)	0.125	0.06
Input Power (W)	15	15.5
THD: ≤ 20%		
PF: ≥ 0.90		
T Ambient -30 - +40°C		
Sound Rating ≤ 22dba		

Lumens	2000 Series	
Input Voltage 120-277VAC	120V	277V
Input Current (A)	0.18	0.08
Input Power (W)	22	22.5
THD: ≤ 20%		
PF: ≥ 0.90		
T Ambient -30 - +40°C		
Sound Rating ≤ 22dba		

Lumens	3000 Series	
Input Voltage 120-277VAC	120V	277V
Input Current (A)	0.24	0.10
Input Power (W)	28.5	28.5
THD: ≤ 20%		
PF: ≥ 0.90		
T Ambient -30 - +40°C		
Sound Rating ≤ 22dba		

Lumens	4000 Series	
Input Voltage 120-277VAC	120V	277V
Input Current (A)	0.36	0.16
Input Power (W)	43.5	43
THD: ≤ 20%		
PF: ≥ 0.90		
T Ambient -30 - +40°C		
Sound Rating ≤ 22dba		

## Lumen Tables

1000 Lumen, 10.5W	3000K		3500K		4000K	
	Lumens	LPW	Lumens	LPW	Lumens	LPW
Medium Distribution Lens, Matte White Trim	1176	112	1326	126	1245	119
Medium Distribution Lens, Matte Black Trim	1072	102	1209	115	1134	108
Medium Distribution Lens, Matte Metallic Silver Trim	1137	108	1282	122	1203	115
Wide Distribution Lens, Matte White Trim	1172	112	1322	126	1240	118
Wide Distribution Lens, Matte Black Trim	1063	101	1198	114	1125	107
Wide Distribution Lens, Matte Metallic Silver Trim	1126	107	1270	121	1192	114
Wall Wash Optic, Matte White Trim	996	95	1130	108	1061	101

1500 Lumen, 15W	3000K		3500K		4000K	
	Lumens	LPW	Lumens	LPW	Lumens	LPW
Medium Distribution Lens, Matte White Trim	1597	106	1800	120	1690	113
Medium Distribution Lens, Matte Black Trim	1455	97	1641	109	1540	103
Medium Distribution Lens, Matte Metallic Silver Trim	1543	103	1740	116	1633	109
Wide Distribution Lens, Matte White Trim	1591	106	1794	120	1684	112
Wide Distribution Lens, Matte Black Trim	1443	96	1627	108	1527	102
Wide Distribution Lens, Matte Metallic Silver Trim	1529	102	1724	115	1618	108
Wall Wash Optic, Matte White Trim	1349	90	1534	102	1440	96

2000 Lumen, 22W	3000K		3500K		4000K	
	Lumens	LPW	Lumens	LPW	Lumens	LPW
Medium Distribution Lens, Matte White Trim	2186	99	2465	112	2313	105
Medium Distribution Lens, Matte Black Trim	1992	91	2246	102	2108	96
Medium Distribution Lens, Matte Metallic Silver Trim	2113	96	2382	108	2236	102
Wide Distribution Lens, Matte White Trim	2179	99	2456	112	2305	105
Wide Distribution Lens, Matte Black Trim	1975	90	2227	101	2090	95
Wide Distribution Lens, Matte Metallic Silver Trim	2093	95	2360	107	2215	101
Wall Wash Optic, Matte White Trim	1847	84	2100	95	1971	90

3000 Lumen, 28.5W	3000K		3500K		4000K	
	Lumens	LPW	Lumens	LPW	Lumens	LPW
Medium Distribution Lens, Matte White Trim	3217	113	3630	127	3376	118
Medium Distribution Lens, Matte Black Trim	2917	102	3292	116	3062	107
Medium Distribution Lens, Matte Metallic Silver Trim	3092	108	3488	122	3244	114
Wide Distribution Lens, Matte White Trim	3200	112	3610	127	3358	118
Wide Distribution Lens, Matte Black Trim	2901	102	3274	115	3045	107
Wide Distribution Lens, Matte Metallic Silver Trim	3075	108	3469	122	3227	113
Wall Wash Optic, Matte White Trim	2702	95	3053	107	2840	100

## Lumen Tables

4000 Lumen, 43.5W	3000K		3500K		4000K	
	Lumens	LPW	Lumens	LPW	Lumens	LPW
Medium Distribution Lens, Matte White Trim	4397	101	4961	114	4614	106
Medium Distribution Lens, Matte Black Trim	3987	92	4498	103	4184	96
Medium Distribution Lens, Matte Metallic Silver Trim	4225	97	4767	110	4433	102
Wide Distribution Lens, Matte White Trim	4372	101	4933	113	4588	105
Wide Distribution Lens, Matte Black Trim	3965	91	4473	103	4161	96
Wide Distribution Lens, Matte Metallic Silver Trim	4201	97	4740	109	4409	101
Wall Wash Optic, Matte White Trim	3698	85	4172	96	3880	89