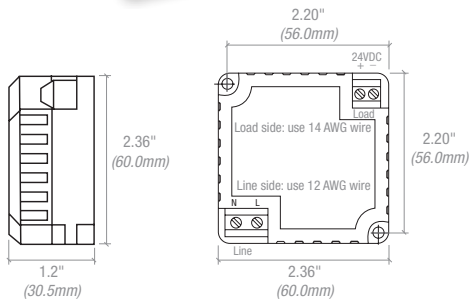


# 20-Watt Driver

## POWER SUPPLY | 20ND-2.0-6X4X4



Note: 6" (L) x 4" (W) x 4" (H) enclosure is required by UL.

### Key Features

- Light weight, low profile
- Short circuit and overload protection
- Low power supply losses

### Specifications

Location: **Dry**  
 Output Voltage: **24v DC**  
 Output Power: **20w**  
 Input Voltage: **120 to 240 VAC**  
 Frequency: **50 to 60 HZ**  
 Ambient Temp: **-20°C to +50°C**  
 Weight: **.21 lbs**  
 Dimming: **Yes**

Discontinued  
04-14-2023

Remote Distance		Diameter	
7'-0"	(2.1m)	w/22 AWG	(.644mm)
18'-0"	(5.5m)	w/18 AWG	(1.02mm)
46'-0"	(14.0m)	w/14 AWG	(1.63mm)
71'-0"	(21.6m)	w/12 AWG	(2.05 mm)

20W	Max Run Length in Series	Max Run Lengths in Parallel
line .75 - SO	11' (3.35m)	11' (3.35m)
line .75 - MO	5' (1.52m)	5' (1.52m)
line .75 - HO and color	3' (.91m)	3' (.91m)
line .75 - VHO	2' (.61m)	2' (.61m)
line 1.5 - SO	11' (3.35m)	11' (3.35m)
line 1.5 - MO	5' (1.52m)	5' (1.52m)
line 1.5 - HO	3' (.91m)	3' (.91m)
line 1.5 - VHO	2' (.61m)	2' (.61m)
LEDge - SO	5' (1.52m)	5' (1.52m)
LEDge - HO	3' (.91m)	3' (.91m)
luxrail - SO	11' (3.35m)	11' (3.35m)
luxrail - HO and color	3' (.91m)	3' (.91m)
line 2.0 - SO	4' (1.22m)	4' (1.22m)
line 2.0 - HO	3' (.91m)	3' (.91m)
line 2.0 - VHO	2' (.61m)	2' (.61m)
line 2.0 - V2HO	1' (.30m)	1' (.30m)

**277 NOT AVAILABLE**

# 6x4x4 Enclosure

**POWER SUPPLY | 20ND-2.0-6X4X4**



### Enclosure Construction

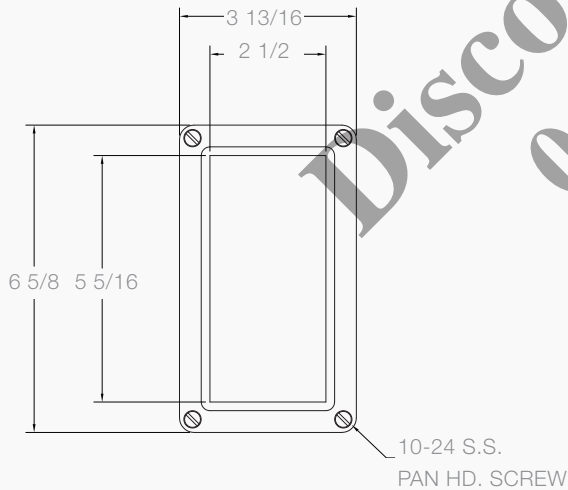
Enclosure material is a molded fiberglass reinforced polyester (thermoset). The gasket is poured polurethane seamless gasket that provides watertight, dust-tight environmental seal. The cover screws are recessed, captive and stainless steel.

### Enclosure Industry Standards

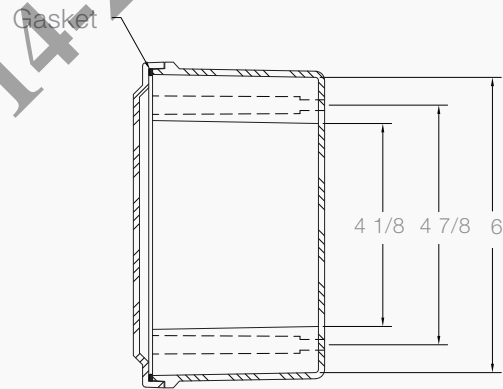
- UL/cUL 50: File E64358 type 1, 3, 4X 6P, 12
- NEMA 250: Type 1, 3, 4X, 6P, 12
- CSA Std 22.2: File LR069014 type 1, 3, 4X, 6P, 12
- Temp rating: (-40° to +120°C)
- Flammability rating: UL94-5V

*\*One driver enclosure can hold one 20W driver.*

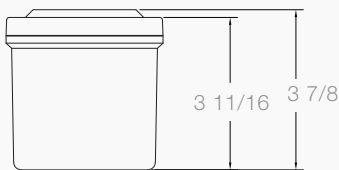
**Front View With Cover**



**Front View Cross Section**



**End View With Cover**



**End View Cross Section**

