

Catalog #		Date		Prepared by	
Project		Type		Notes	



HALO

L815 Stasis Small

With sleek, simple geometric profiles and high-performance optics, and a full range of beam angles in 3 different sizes, Stasis provides just the right accent to any high-end application.

Typical Applications

Education • Hospitality • Retail

Interactive Menu

- Order Information page 3
- Photometric Data page 4
- Product Warranty

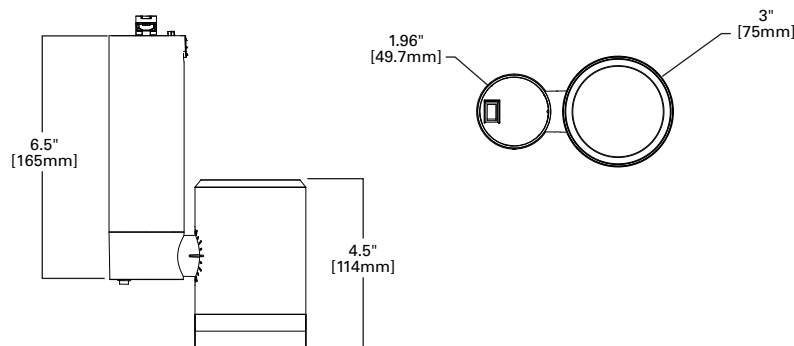
Product Certification



Top Product Features

- Interchangeable, wide selection of beam patterns that meets any accent lighting application.
- Sleek cylindrical design
- Low-Glare chip-on-board optics

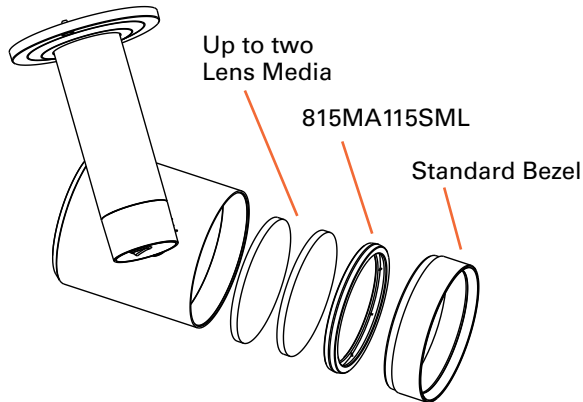
Dimensional and Mounting Details



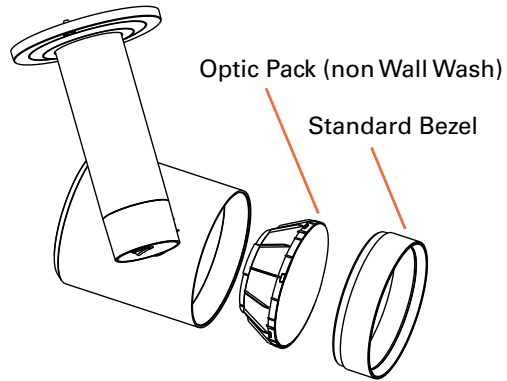
Stasis Accessory Diagram

Stasis comes with several accessories to customize lighting environments. Achieve more cutoff with a snoot, change out an optic on an existing install, or add more media capability with the media holder. Stasis provides an array of avenues for lighting designers to create unique accents.

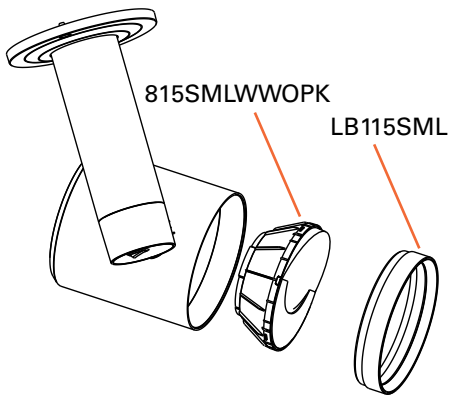
Normal Configuration with Media



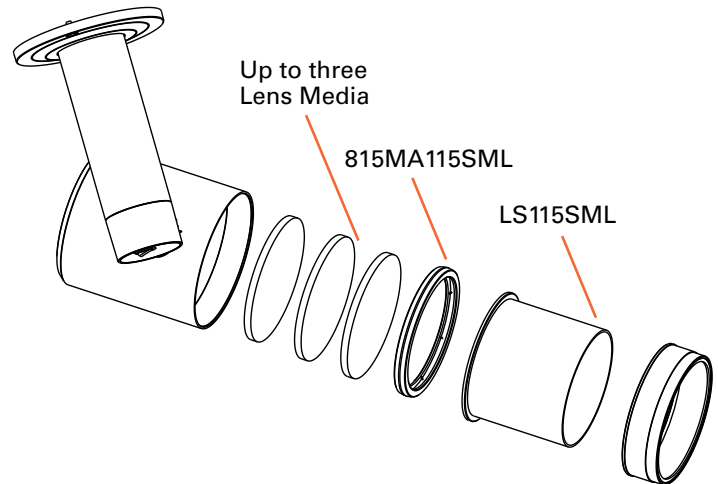
Spare Optic



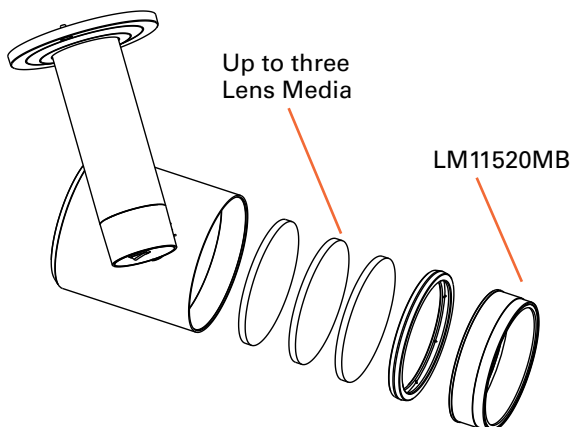
Wall Wash Spare Optic



Snoot and Media



Media Holder



Order Information

Icon Key: Configurable Product

SAMPLE ORDER NUMBER: **L815SML05FL930MB**

Track	Size	Output	Optic	CRI & CCT	Finish	Voltage
L =Halo Power Trac & Lazer Track L2G =Global TEK/HTEK ⁽¹⁾ LJ =Juno Track ⁽²⁾ LL =Lightolier ⁽³⁾ M =Monopoint	815SML	05 =500 10 =1000 18 =1800	NS =8 deg* SP =15 deg NF =25 deg FL =45 deg WW =Wall Wash	927 =2700K / 90 CRI 930 =3000K / 90 CRI 935 =3500K / 90 CRI 940 =4000K / 90 CRI	MB =Black P =White SL =Silver	Blank =120V 277 =277V ⁽⁴⁾
Notes (1) Global® is a registered trademark of Nordic Aluminum. (2) Juno® T single circuit and 2-circuit track contact. Juno® is a registered trademark of Juno® Lighting. (3) Lightolier® Lyfespace 6000 single circuit and 2 circuit track contact. Lightolier® is a registered trademark of Philips Lighting.	Notes	Notes	Notes *Not available with 1800 lumen output	Notes	Notes	Notes (4) 277V is only available for Global HTEK track

Accessories

Accessories			
Media Holder LM11520MB =Small Media Holder, Black LM11520P =Small Media Holder, White LM11520SL =Small Media Holder, Silver 815MA115SML =Small Media Adapter (includes white and black)	LS115SMLMB =Small snoot, Black LS115SMLP =Small snoot, White LS115SMLSL =Small snoot, Silver LB115SMLMB =Small Bezel Accessory, Black LB115SMLP =Small Bezel Accessory, White LB115SMLSL =Small Bezel Accessory, Silver	Optics 815SMLFLOPK =Small Flood Optic Accessory 815SMLNFOPK =Small Narrow Flood Optic Accessory 815SMLNSOPK =Small Narrow Spot Optic Accessory 815SMLSPOPK =Small Spot Optic Accessory Wall Wash Optic (includes optic and wall wash bezel) 815SMLWWOPKMB =Small Wall Wash Optic Accessory, Black 815SMLWWOPKP =Small Wall Wash Optic Accessory, White 815SMLWWOPKSL =Small Wall Wash Optic Accessory, Silver	Media 815SMLSLFL =Soft Focus Lens, Stasis Small 815SMLLSL =Linear Spread Lens, Stasis Small 815SMLPDL =Prismatic Diffuse Lens, Stasis Small 815SMLLHC =Hexcell Louver, Stasis Small
Notes	Notes	Notes	Notes

Product Specifications

Aiming

- Full aiming capable.
- Can pivot +/-90° vertically and horizontally without adjusting track position.
- Graduations every 15° for precise and repeatable tilt aiming.
- Alignment Indicator mark on the bottom.

Design

- All-metal smooth cylindrical can shape.
- Encased heat sink allows for sleeker aesthetics.
- Available in white, black, and silver finishes.

Optics & Light Engine

- Available in 4 beam distributions, ranging from 8 degrees to 44 degrees, as well as a wall wash.
- Equipped with 1 chip-on-board LED.
- Low-glare polycarbonate lens
- Removable bezel allows for interchangeable optics
- Accommodates up to 2 pieces of additional PAR20 media when media holder utilized
- Light output maintains above 70% past 50,000 hours

Electrical

- Universal 120 – 277V*, 50/60 Hz driver.
*277V available only with 277 V Global track
- Individual on/off control is possible with the integral on/off switch provided.

Dimming

- Compatible with select TRIAC and ELV dimmers down to 5%.
- Dimming only available with 120V configurations

Warranty

- Five year limited warranty
- Consult website for details.
eaton.com/lighting/legal

Photometric Data

 [View IES files](#)

Narrow Spot (8 deg beam width), 500 lumen

L815SML05NS930MB	Lumens	Watts	LPW	CCT	SC (0/90/45)
	469 Lm	5.95 W	78.9 Lm/W	3000K	0.15 / 0.15 / 0.15

0 Deg Aiming Angle Horizontal Illuminance on Floor				
MH	FC	L	W	
5'	433.8	0.6	0.6	
7.5'	192.8	1	1	
10'	108.5	1.4	1.4	
12.5'	69.4	1.8	1.8	
15'	48.2	2.2	2.2	

30 deg Aiming Angle Horizontal Illuminance on Floor					
MH	FC	L	W	CB	
5'	281.9	0.9	0.8	2.9	
7.5'	125.3	1.4	1.2	4.3	
10'	70.5	1.9	1.6	5.8	
12.5'	45.1	2.3	2	7.2	
15'	31.3	2.9	2.4	8.7	

30 deg Aiming Angle Vertical Illuminance on Wall					
D	FC	L	W	CB	
3'	159.9	1.6	0.8	5.2	
4'	89.9	2.1	1	6.9	
6'	40	3.3	1.6	10.4	
8'	22.5	4.4	2.2	13.9	
10'	14.4	5.5	2.8	17.3	

60 deg Aiming Angle Horizontal Illuminance on Floor					
MH	FC	L	W	CB	
5'	57.6	2.7	1.4	8.7	
7.5'	25.6	4.1	2	13	
10'	14.4	5.5	2.8	17.3	
12.5'	9.2	6.9	3.6	21.7	
15'	6.4	8.4	4.2	26	

60 deg Aiming Angle Vertical Illuminance on Wall					
D	FC	L	W	CB	
3'	783.1	0.5	0.4	1.7	
4'	440.5	0.7	0.6	2.3	
6'	195.8	1.1	1	3.5	
8'	110.1	1.5	1.2	4.6	
10'	70.5	1.9	1.6	5.8	

Spot (15 deg beam width), 500 lumen

L815SML05SP930MB	Lumens	Watts	LPW	CCT	SC (0/90/45)
	634 Lm	6.83 W	92.9 Lm/W	3000K	0.26 / 0.26 / 0.26

0 Deg Aiming Angle Horizontal Illuminance on Floor				
MH	FC	L	W	
5'	433.8	0.6	0.6	
7.5'	192.8	1	1	
10'	108.5	1.4	1.4	
12.5'	69.4	1.8	1.8	
15'	48.2	2.2	2.2	

30 deg Aiming Angle Horizontal Illuminance on Floor					
MH	FC	L	W	CB	
5'	281.9	0.9	0.8	2.9	
7.5'	125.3	1.4	1.2	4.3	
10'	70.5	1.9	1.6	5.8	
12.5'	45.1	2.3	2	7.2	
15'	31.3	2.9	2.4	8.7	

30 deg Aiming Angle Vertical Illuminance on Wall					
D	FC	L	W	CB	
3'	159.9	1.6	0.8	5.2	
4'	89.9	2.1	1	6.9	
6'	40	3.3	1.6	10.4	
8'	22.5	4.4	2.2	13.9	
10'	14.4	5.5	2.8	17.3	

60 deg Aiming Angle Horizontal Illuminance on Floor					
MH	FC	L	W	CB	
5'	57.6	2.7	1.4	8.7	
7.5'	25.6	4.1	2	13	
10'	14.4	5.5	2.8	17.3	
12.5'	9.2	6.9	3.6	21.7	
15'	6.4	8.4	4.2	26	

60 deg Aiming Angle Vertical Illuminance on Wall					
D	FC	L	W	CB	
3'	783.1	0.5	0.4	1.7	
4'	440.5	0.7	0.6	2.3	
6'	195.8	1.1	1	3.5	
8'	110.1	1.5	1.2	4.6	
10'	70.5	1.9	1.6	5.8	

Narrow Flood (25 deg beam width), 500 lumen

L815SML05NF930MB	Lumens	Watts	LPW	CCT	SC (0/90/45)
	635 Lm	6.83 W	93 Lm/W	3000K	0.42 / 0.42 / 0.39

0 Deg Aiming Angle Horizontal Illuminance on Floor				
MH	FC	L	W	
5'	133.4	2	2	
7.5'	59.3	3	3	
10'	33.4	4.2	4.2	
12.5'	21.3	5.2	5.2	
15'	14.8	6.2	6.2	

30 deg Aiming Angle Horizontal Illuminance on Floor					
MH	FC	L	W	CB	
5'	91.7	2.5	2.2	2.9	
7.5'	40.8	3.8	3.4	4.3	
10'	22.9	5.1	4.6	5.8	
12.5'	14.7	6.4	5.8	7.2	
15'	10.2	7.7	7	8.7	

30 deg Aiming Angle Vertical Illuminance on Wall					
D	FC	L	W	CB	
3'	68.3	2.9	2	5.2	
4'	38.4	3.9	2.6	6.9	
6'	17.1	5.9	4	10.4	
8'	9.6	7.9	5.4	13.9	
10'	6.1	9.9	6.8	17.3	

60 deg Aiming Angle Horizontal Illuminance on Floor					
MH	FC	L	W	CB	
5'	24.6	4.9	3.4	8.7	
7.5'	10.9	7.4	5	13	
10'	6.1	9.9	6.8	17.3	
12.5'	3.9	12.4	8.4	21.7	
15'	2.7	14.7	10.2	26	

60 deg Aiming Angle Vertical Illuminance on Wall					
D	FC	L	W	CB	
3'	254.8	1.5	1.4	1.7	
4'	143.3	2	1.8	2.3	
6'	63.7	3	2.8	3.5	
8'	35.8	4	3.6	4.6	
10'	22.9	5.1	4.6	5.8	

Flood (45 deg beam width), 500 lumen

L815SML05FL930MB	Lumens	Watts	LPW	CCT	SC (0/90/45)
	613 Lm	6.83 W	89.8 Lm/W	3000K	0.71 / 0.71 / 0.68

0 Deg Aiming Angle Horizontal Illuminance on Floor				
MH	FC	L	W	
5'	44.7	3.4	3.4	
7.5'	19.9	5.2	5.2	
10'	11.2	7	7	
12.5'	7.2	8.8	8.8	
15'	5	10.6	10.6	

30 deg Aiming Angle Horizontal Illuminance on Floor					
MH	FC	L	W	CB	
5'	33.6	3.8	3.6	2.9	
7.5'	14.9	5.7	5.6	4.3	
10'	8.4	7.7	7.4	5.8	
12.5'	5.4	9.7	9.4	7.2	
15'	3.7	11.6	11.2	8.7	

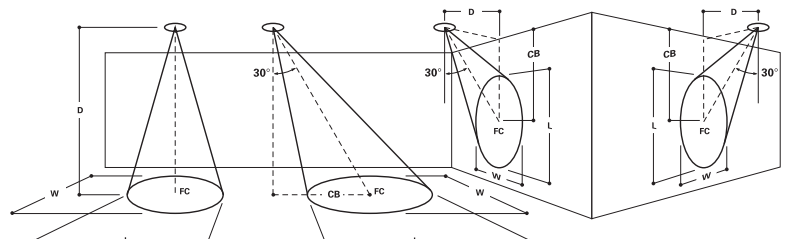
30 deg Aiming Angle Vertical Illuminance on Wall					
D	FC	L	W	CB	
3'	33.9	3.1	2.8	5.2	
4'	19.1	4.2	3.8	6.9	
6'	8.5	6.3	5.6	10.4	
8'	4.8	8.5	7.6	13.9	
10'	3.1	10.6	9.4	17.3	

60 deg Aiming Angle Horizontal Illuminance on Floor					
MH	FC	L	W	CB	
5'	12.2	5.3	4.6	8.7	
7.5'	5.4	7.9	7	13	
10'	3.1	10.6	9.4	17.3	
12.5'	2	13.2	11.6	21.7	
15'	1.4	15.6	13.6	26	

60 deg Aiming Angle Vertical Illuminance on Wall					
D	FC	L	W	CB	
3'	93.3	2.3	2.2	1.7	
4'	52.5	3	3	2.3	
6'	23.3	4.6	4.4	3.5	
8'	13.1	6.1	6	4.6	
10'	8.4	7.7	7.4	5.8	

Notes and Definitions:

Beam spread is to 50% center beam candlepower (CBCP).
 D=Distance in feet to floor or wall.
 FC=Footcandles on floor or wall at center beam aiming location.
 L=Effective Visual Beam length in feet (50% of maximum footcandle level).
 W=Effective Visual Beam width in feet (50% of maximum footcandle level).
 CB=Distance in feet across or down to center beam location.



Note: Refer to IES files for more product data.

Photometric Data

 [View IES files](#)

Narrow Spot (8 deg beam width), 1000 lumen

L815SML10NS930MB	Lumens	Watts	LPW	CCT	SC (0/90/45)
	858 Lm	11.1 W	77.3 Lm/W	3000K	0.15 / 0.15 / 0.15

0 Deg Aiming Angle Horizontal Illuminance on Floor				
MH	FC	L	W	
5'	792.9	0.6	0.6	
7.5'	352.4	1	1	
10'	198.2	1.4	1.4	
12.5'	126.9	1.8	1.8	
15'	88.1	2.2	2.2	

30 deg Aiming Angle Horizontal Illuminance on Floor					
MH	FC	L	W	CB	
5'	515.2	0.9	0.8	2.9	
7.5'	229	1.4	1.2	4.3	
10'	128.8	1.9	1.6	5.8	
12.5'	82.4	2.3	2	7.2	
15'	57.2	2.9	2.4	8.7	

30 deg Aiming Angle Vertical Illuminance on Wall					
D	FC	L	W	CB	
3'	292.3	1.6	0.8	5.2	
4'	164.4	2.1	1	6.9	
6'	73.1	3.3	1.6	10.4	
8'	41.1	4.4	2.2	13.9	
10'	26.3	5.5	2.8	17.3	

60 deg Aiming Angle Horizontal Illuminance on Floor					
MH	FC	L	W	CB	
5'	105.2	2.7	1.4	8.7	
7.5'	46.8	4.1	2	13	
10'	26.3	5.5	2.8	17.3	
12.5'	16.8	6.9	3.6	21.7	
15'	11.7	8.4	4.2	26	

60 deg Aiming Angle Vertical Illuminance on Wall					
D	FC	L	W	CB	
3'	1431.2	0.5	0.4	1.7	
4'	805.1	0.7	0.6	2.3	
6'	357.8	1.1	1	3.5	
8'	201.3	1.5	1.2	4.6	
10'	128.8	1.9	1.6	5.8	

Spot (15 deg beam width), 1000 lumen

L815SML10SP930MB	Lumens	Watts	LPW	CCT	SC (0/90/45)
	1231 Lm	12.7 W	96.9 Lm/W	3000K	0.26 / 0.26 / 0.26

0 Deg Aiming Angle Horizontal Illuminance on Floor				
MH	FC	L	W	
5'	559.6	1.2	1.2	
7.5'	248.7	1.8	1.8	
10'	139.9	2.4	2.4	
12.5'	89.5	3.2	3.2	
15'	62.2	3.8	3.8	

30 deg Aiming Angle Horizontal Illuminance on Floor					
MH	FC	L	W	CB	
5'	370	1.6	1.4	2.9	
7.5'	164.4	2.4	2.2	4.3	
10'	92.5	3.3	2.8	5.8	
12.5'	59.2	4.1	3.6	7.2	
15'	41.1	4.9	4.4	8.7	

30 deg Aiming Angle Vertical Illuminance on Wall					
D	FC	L	W	CB	
3'	224.8	2.4	1.4	5.2	
4'	126.4	3.3	1.8	6.9	
6'	56.2	4.9	2.8	10.4	
8'	31.6	6.7	3.8	13.9	
10'	20.2	8.3	4.8	17.3	

60 deg Aiming Angle Horizontal Illuminance on Floor					
MH	FC	L	W	CB	
5'	80.9	4.1	2.4	8.7	
7.5'	36	6.3	3.6	13	
10'	20.2	8.2	4.8	17.3	
12.5'	12.9	10.2	6	21.7	
15'	9	12.1	7.2	26	

60 deg Aiming Angle Vertical Illuminance on Wall					
D	FC	L	W	CB	
3'	1027.7	0.9	0.8	1.7	
4'	578.1	1.3	1	2.3	
6'	256.9	1.9	1.6	3.5	
8'	144.5	2.6	2.2	4.6	
10'	92.5	3.3	2.8	5.8	

Narrow Flood (25 deg beam width), 1000 lumen

L815SML10NF930MB	Lumens	Watts	LPW	CCT	SC (0/90/45)
	1233 Lm	12.7 W	97.1 Lm/W	3000K	0.42 / 0.42 / 0.39

0 Deg Aiming Angle Horizontal Illuminance on Floor				
MH	FC	L	W	
5'	259	2	2	
7.5'	115.1	3	3	
10'	64.7	4.2	4.2	
12.5'	41.4	5.2	5.2	
15'	28.8	6.2	6.2	

30 deg Aiming Angle Horizontal Illuminance on Floor					
MH	FC	L	W	CB	
5'	178	2.5	2.2	2.9	
7.5'	79.1	3.8	3.4	4.3	
10'	44.5	5.1	4.6	5.8	
12.5'	28.5	6.4	5.8	7.2	
15'	19.8	7.7	7	8.7	

30 deg Aiming Angle Vertical Illuminance on Wall					
D	FC	L	W	CB	
3'	132.5	2.9	2	5.2	
4'	74.5	3.9	2.6	6.9	
6'	33.1	5.9	4	10.4	
8'	18.6	7.9	5.4	13.9	
10'	11.9	9.9	6.8	17.3	

60 deg Aiming Angle Horizontal Illuminance on Floor					
MH	FC	L	W	CB	
5'	47.7	4.9	3.4	8.7	
7.5'	21.2	7.4	5	13	
10'	11.9	9.9	6.8	17.3	
12.5'	7.6	12.4	8.4	21.7	
15'	5.3	14.7	10.2	26	

60 deg Aiming Angle Vertical Illuminance on Wall					
D	FC	L	W	CB	
3'	494.5	1.5	1.4	1.7	
4'	278.2	2	1.8	2.3	
6'	123.6	3	2.8	3.5	
8'	69.5	4	3.6	4.6	
10'	44.5	5.1	4.6	5.8	

Flood (45 deg beam width), 1000 lumen

L815SML10FL930MB	Lumens	Watts	LPW	CCT	SC (0/90/45)
	1190 Lm	12.7 W	93.7 Lm/W	3000K	0.71 / 0.71 / 0.68

0 Deg Aiming Angle Horizontal Illuminance on Floor				
MH	FC	L	W	
5'	86.8	3.4	3.4	
7.5'	38.6	5.2	5.2	
10'	21.7	7	7	
12.5'	13.9	8.8	8.8	
15'	9.6	10.6	10.6	

30 deg Aiming Angle Horizontal Illuminance on Floor					
MH	FC	L	W	CB	
5'	65.2	3.8	3.6	2.9	
7.5'	29	5.7	5.6	4.3	
10'	16.3	7.7	7.4	5.8	
12.5'	10.4	9.7	9.4	7.2	
15'	7.2	11.6	11.2	8.7	

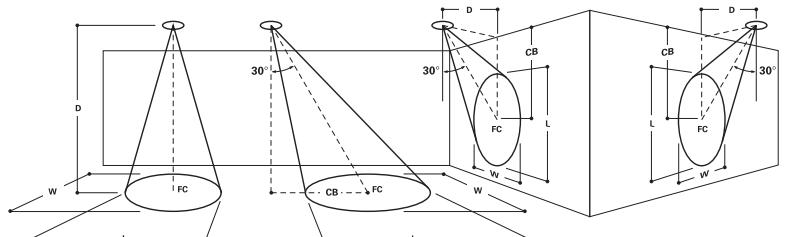
30 deg Aiming Angle Vertical Illuminance on Wall					
D	FC	L	W	CB	
3'	65.8	3.1	2.8	5.2	
4'	37	4.2	3.8	6.9	
6'	16.5	6.3	5.6	10.4	
8'	9.3	8.5	7.6	13.9	
10'	5.9	10.6	9.4	17.3	

60 deg Aiming Angle Horizontal Illuminance on Floor					
MH	FC	L	W	CB	
5'	23.7	5.3	4.6	8.7	
7.5'	10.5	7.9	7	13	
10'	5.9	10.6	9.4	17.3	
12.5'	3.8	13.2	11.6	21.7	
15'	2.6	15.6	13.6	26	

60 deg Aiming Angle Vertical Illuminance on Wall					
D	FC	L	W	CB	
3'	181.1	2.3	2.2	1.7	
4'	101.8	3	3	2.3	
6'	45.3	4.6	4.4	3.5	
8'	25.5	6.1	6	4.6	
10'	16.3	7.7	7.4	5.8	

Notes and Definitions:

Beam spread is to 50% center beam candlepower (CBCP)
 D=Distance in feet to floor or wall.
 FC=Footcandles on floor or wall at center beam aiming location.
 L=Effective Visual Beam length in feet (50% of maximum footcandle level.)
 W=Effective Visual Beam width in feet (50% of maximum footcandle level.)
 CB=Distance in feet across or down to center beam location.



Note: Refer to IES files for more product data.

Photometric Data

 [View IES files](#)

Spot (15 deg beam width), 1800 lumen

L815SML18SP930MB	Lumens	Watts	LPW	CCT	SC (0/90/45)
	1835 Lm	20 W	91.8 Lm/W	3000K	0.26 / 0.26 / 0.26

0 Deg Aiming Angle Horizontal Illuminance on Floor				
MH	FC	L	W	
5'	834.3	1.2	1.2	
7.5'	370.8	1.8	1.8	
10'	208.6	2.4	2.4	
12.5'	133.5	3.2	3.2	
15'	92.7	3.8	3.8	

30 deg Aiming Angle Horizontal Illuminance on Floor				
MH	FC	L	W	CB
5'	551.6	1.6	1.4	2.9
7.5'	245.2	2.4	2.2	4.3
10'	137.9	3.3	2.8	5.8
12.5'	88.3	4.1	3.6	7.2
15'	61.3	4.9	4.4	8.7

30 deg Aiming Angle Vertical Illuminance on Wall				
D	FC	L	W	CB
3'	335.1	2.4	1.4	5.2
4'	188.5	3.3	1.8	6.9
6'	83.8	4.9	2.8	10.4
8'	47.1	6.7	3.8	13.9
10'	30.2	8.3	4.8	17.3

60 deg Aiming Angle Horizontal Illuminance on Floor				
MH	FC	L	W	CB
5'	120.6	4.1	2.4	8.7
7.5'	53.6	6.3	3.6	13
10'	30.2	8.2	4.8	17.3
12.5'	19.3	10.2	6	21.7
15'	13.4	12.1	7.2	26

60 deg Aiming Angle Vertical Illuminance on Wall				
D	FC	L	W	CB
3'	1532.2	0.9	0.8	1.7
4'	861.9	1.3	1	2.3
6'	383	1.9	1.6	3.5
8'	215.5	2.6	2.2	4.6
10'	137.9	3.3	2.8	5.8

Narrow Flood (25 deg beam width), 1800 lumen

L815SML18NF930MB	Lumens	Watts	LPW	CCT	SC (0/90/45)
	1838 Lm	20 W	91.9 Lm/W	3000K	0.42 / 0.42 / 0.39

0 Deg Aiming Angle Horizontal Illuminance on Floor				
MH	FC	L	W	
5'	386.1	2	2	
7.5'	171.6	3	3	
10'	96.5	4.2	4.2	
12.5'	61.8	5.2	5.2	
15'	42.9	6.2	6.2	

30 deg Aiming Angle Horizontal Illuminance on Floor				
MH	FC	L	W	CB
5'	265.4	2.5	2.2	2.9
7.5'	118	3.8	3.4	4.3
10'	66.4	5.1	4.6	5.8
12.5'	42.5	6.4	5.8	7.2
15'	29.5	7.7	7	8.7

30 deg Aiming Angle Vertical Illuminance on Wall				
D	FC	L	W	CB
3'	197.6	2.9	2	5.2
4'	111.1	3.9	2.6	6.9
6'	49.4	5.9	4	10.4
8'	27.8	7.9	5.4	13.9
10'	17.8	9.9	6.8	17.3

60 deg Aiming Angle Horizontal Illuminance on Floor				
MH	FC	L	W	CB
5'	71.1	4.9	3.4	8.7
7.5'	31.6	7.4	5	13
10'	17.8	9.9	6.8	17.3
12.5'	11.4	12.4	8.4	21.7
15'	7.9	14.7	10.2	26

60 deg Aiming Angle Vertical Illuminance on Wall				
D	FC	L	W	CB
3'	737.3	1.5	1.4	1.7
4'	414.7	2	1.8	2.3
6'	184.3	3	2.8	3.5
8'	103.7	4	3.6	4.6
10'	66.4	5.1	4.6	5.8

Flood (45 deg beam width), 1800 lumen

L815SML18FL930MB	Lumens	Watts	LPW	CCT	SC (0/90/45)
	1774 Lm	20 W	88.7 Lm/W	3000K	0.71 / 0.71 / 0.68

0 Deg Aiming Angle Horizontal Illuminance on Floor				
MH	FC	L	W	
5'	129.4	3.4	3.4	
7.5'	57.5	5.2	5.2	
10'	32.3	7	7	
12.5'	20.7	8.8	8.8	
15'	14.4	10.6	10.6	

30 deg Aiming Angle Horizontal Illuminance on Floor				
MH	FC	L	W	CB
5'	97.2	3.8	3.6	2.9
7.5'	43.2	5.7	5.6	4.3
10'	24.3	7.7	7.4	5.8
12.5'	15.5	9.7	9.4	7.2
15'	10.8	11.6	11.2	8.7

30 deg Aiming Angle Vertical Illuminance on Wall				
D	FC	L	W	CB
3'	98.2	3.1	2.8	5.2
4'	55.2	4.2	3.8	6.9
6'	24.5	6.3	5.6	10.4
8'	13.8	8.5	7.6	13.9
10'	8.8	10.6	9.4	17.3

60 deg Aiming Angle Horizontal Illuminance on Floor				
MH	FC	L	W	CB
5'	35.3	5.3	4.6	8.7
7.5'	15.7	7.9	7	13
10'	8.8	10.6	9.4	17.3
12.5'	5.7	13.2	11.6	21.7
15'	3.9	15.6	13.6	26

60 deg Aiming Angle Vertical Illuminance on Wall				
D	FC	L	W	CB
3'	270	2.3	2.2	1.7
4'	151.8	3	3	2.3
6'	67.5	4.6	4.4	3.5
8'	38	6.1	6	4.6
10'	24.3	7.7	7.4	5.8

Notes and Definitions:

Beam spread is to 50% center beam candlepower (CBCP.)

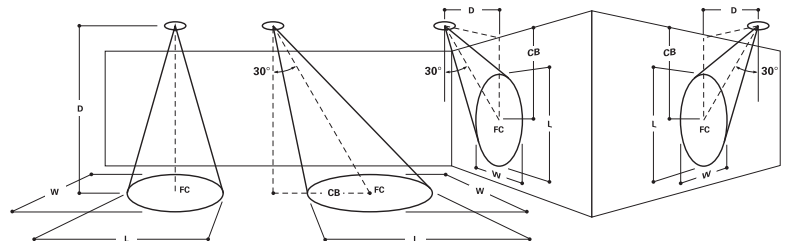
D=Distance in feet to floor or wall.

FC=Footcandles on floor or wall at center beam aiming location.

L=Effective Visual Beam length in feet (50% of maximum footcandle level.)

W=Effective Visual Beam width in feet (50% of maximum footcandle level.)

CB=Distance in feet across or down to center beam location.



Note: Refer to IES files for more product data.

Photometric Data

 [View IES files](#)

Wall Wash, 500 lumen

L815SML05WW930MB	Lumens	517 Lm	Watts	6.83 W	LPW	75.6 Lm/W
	CCT	3000K	SC (0/90/45)	0.65 / 0.85 / 0.82		

Single Unit Footcandles 2.5' from wall (distance from fixture along wall)							
DD	0	1	2	3	4	5	6
1'	2.8	2.3	0.9	0.2	0.1	0	0
2'	5.9	5.2	3.3	1.5	0.6	0.2	0.1
3'	4.9	4.5	3.5	2.1	1.1	0.5	0.3
4'	3.5	3.2	2.8	2	1.2	0.7	0.4
5'	2.5	2.4	2.1	1.6	1.2	0.7	0.4
6'	1.9	1.8	1.6	1.3	1	0.7	0.5
8'	1.1	1	0.9	0.8	0.7	0.5	0.4
10'	0.7	0.7	0.6	0.5	0.5	0.4	0.3

Multiple Unit Footcandles 2.5' from wall (spacing between fixtures)						
•	3	•	•	4	•	
3	3.2	3		2.8	1.9	2.8
7.5	8.6	7.5		6.5	6.5	6.5
7	8.2	7		5.9	6.9	5.9
5.4	6.1	5.4		4.7	5.6	4.7
4.1	4.5	4.1		3.7	4.1	3.7
3.1	3.4	3.1		2.9	3.1	2.9
1.9	2	1.9		1.8	1.9	1.8
1.2	1.3	1.2		1.1	1.2	1.1

Wall Wash, 1000 lumen

L815SML10WW930MB	Lumens	1003 Lm	Watts	12.7 W	LPW	79 Lm/W
	CCT	3000K	SC (0/90/45)	0.65 / 0.85 / 0.82		

Single Unit Footcandles 2.5' from wall (distance from fixture along wall)							
DD	0	1	2	3	4	5	6
1'	5.4	4.5	1.8	0.5	0.2	0.1	0
2'	11.5	10	6.3	2.9	1.2	0.4	0.2
3'	9.5	8.7	6.7	4	2	1	0.5
4'	6.7	6.3	5.4	3.9	2.3	1.3	0.7
5'	4.8	4.6	4	3.2	2.2	1.4	0.9
6'	3.6	3.4	3	2.5	1.9	1.4	0.9
8'	2.1	2	1.8	1.6	1.3	1.1	0.8
10'	1.3	1.3	1.2	1	0.9	0.7	0.6

Multiple Unit Footcandles 2.5' from wall (spacing between fixtures)						
•	3	•	•	4	•	
5.8	6.2	5.8		5.5	3.6	5.5
14.5	16.6	14.5		12.7	12.7	12.7
13.5	15.9	13.5		11.5	13.5	11.5
10.6	11.9	10.6		9	10.8	9
8	8.7	8		7.1	8	7.1
6.1	6.5	6.1		5.6	6	5.6
3.7	3.9	3.7		3.4	3.6	3.4
2.4	2.5	2.4		2.2	2.3	2.2

Wall Wash, 1800 lumen

L815SML18WW930MB	Lumens	1495 Lm	Watts	20 W	LPW	74.8 Lm/W
	CCT	3000K	SC (0/90/45)	0.65 / 0.85 / 0.82		

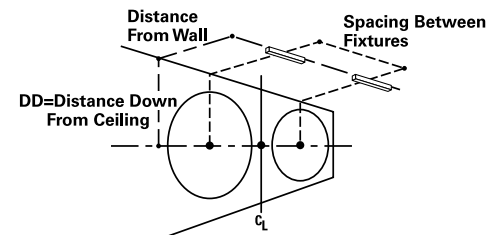
Single Unit Footcandles 2.5' from wall (distance from fixture along wall)							
DD	0	1	2	3	4	5	6
1'	8	6.7	2.7	0.7	0.2	0.1	0
2'	17.2	14.9	9.4	4.4	1.7	0.6	0.2
3'	14.1	13	10	6	3.1	1.5	0.7
4'	10	9.4	8	5.7	3.5	2	1.1
5'	7.2	6.8	6	4.8	3.4	2.1	1.3
6'	5.4	5.1	4.5	3.7	2.9	2.1	1.4
8'	3.2	3	2.7	2.3	1.9	1.6	1.2
10'	2	1.9	1.8	1.5	1.3	1.1	0.9

Multiple Unit Footcandles 2.5' from wall (spacing between fixtures)						
•	3	•	•	4	•	
8.7	9.3	8.7		8.2	5.4	8.2
21.6	24.8	21.6		18.9	18.9	18.9
20.1	23.7	20.1		17.2	20.1	17.2
15.7	17.7	15.7		13.5	16.1	13.5
12	13	12		10.6	11.9	10.6
9.1	9.7	9.1		8.3	9	8.3
5.5	5.8	5.5		5.1	5.4	5.1
3.5	3.7	3.5		3.3	3.5	3.3

Notes

- Illuminance values for multiple fixtures are based upon the center two units of a four unit array. Footcandle values are center line of fixtures and centered between fixtures. 1 footcandle = 10.76 lux. 1 foot(') = 304.8mm.
- Illuminance values are cosine corrected initial value with no contribution from inter reflections from other room surfaces. Total illumination may increase from contributions from other surfaces.
- Changing fixture spacing will affect illuminance level.

$\frac{\text{Existing Spacing}}{\text{New Spacing}}$	x	Average Table Fc Level
--	---	------------------------
- 39W Multiplier = .5



Note: Refer to IES files for more product data.