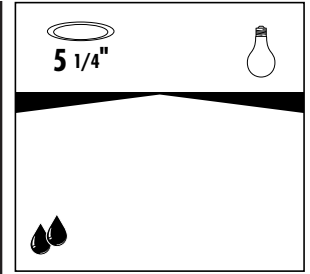
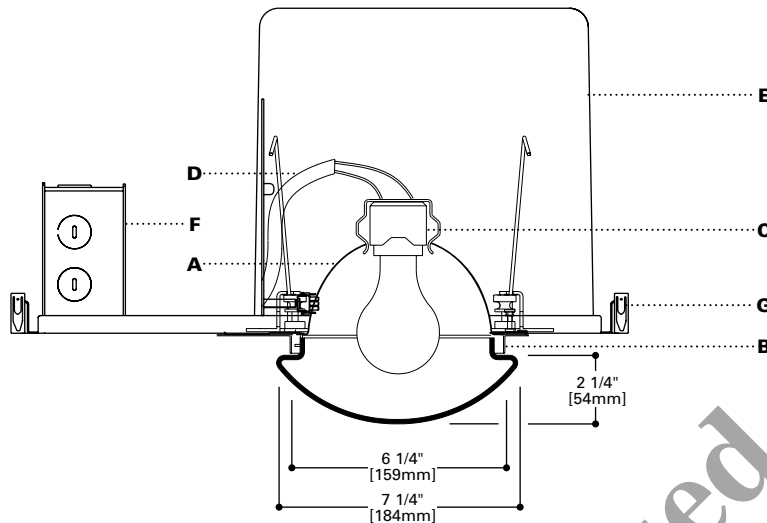


DESCRIPTION

Specification grade A lamp fixture for use with narrow joist spacing in wet locations and in closets where light is needed on upper shelves. Insulation must be kept 3" from fixture sides and top of fixture. Veined Italian dropped glass diffuser

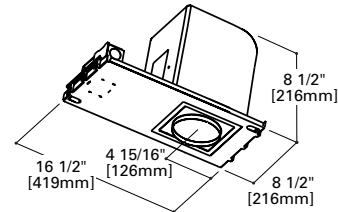
provides a soft smooth illumination pattern. **Lamp module and optical element can be changed after installation to provide a variety of lamp sources and distributions. e.g. into a PAR36 Adjustable**



**PN5
M120
E5LUNA**

**100W A19
75W BT15
75W MB19**

**5" DROPPED LENS
SHOWERLIGHT**



Ceiling Cutout
6 1/4" [159mm]

SPECIFICATION FEATURES

A...Reflector/Lens

.040 thick aluminum spun upper reflector with specular clear finish. Etched satin glass obscures lamp image.

B...Attachment

Positive torsion springs pull glass tight to ceiling. Gasket is a closed cell foam.

C...Socket

Nickel plated porcelain socket. Fixed socket height ensures consistent lamp position.

D...Electrical

Keyed quick connect provides easy lamp module installation.

E...Frame/Housing

Hot dipped galvanized 20 gauge steel frame with built in 1/2 inch plaster lip. Gunsights allow for consistent alignment. One piece 20 gauge steel housing for seamless construction is painted matte black for a visually dark interior.

F...Junction Box

18 cubic inches, listed for 4#12 AWG or 6#14 AWG 90° C additional feed through conductors, has five 1/2 inch pryouts.

G...Bar Hangers

No Flex® bar hangers with positive locking, for use with wood, engineered wood and steel frame joists spaced up to 24" O.C. ship with platform. For use in T-bar ceilings order accessory push on clips. Nailless barb and locator lip provide consistent installation height.

H...Codes

Thermally protected, IP labeled. Unit is airtight and exchanges less than 2.0 CFM with the plenum at a pressure of 75 pascals. Insulation must be kept three inches away from fixture sides and none on top as to entrap heat.

I...Labels

UL and cUL listed, standard wet label, IBEW union made.

ORDERING INFORMATION

Complete unit consists of a platform, module and element

Platform	Lamp Module	Optical Element	Accessories
PN5	M120	E5LUNA	
PN5 = 5" Non-IC Housing	M120 = 120V Medium Base Socket	E5LUNA = 5" Dropped Lens Showerlight	MBCLP = 40 Push On T Bar Clips (for 10 Units) PLE5 = Plaster Lip Extension for Max 2" Thick Ceiling

PHOTOMETRICS

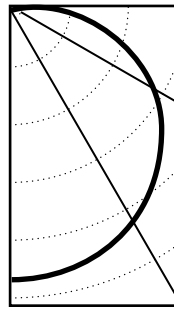
PN5-M120-E5LUNA

Test No. H36074
 Lamp: 75A19/IF
 Lumens: 1180
 Spacing: 1.3
 Efficiency: 47.4%
 Unit LPW: 8.00

Candelas

Vertical Angle	CD
90	32
85	40
75	56
65	76
55	95
45	110
35	123
25	133
15	139
5	142
0	143

Distribution



Cone of Light

Distance to Illum. Plane	Initial Nadir Footcandles	Beam Diameter
4'6"	7	6'0"
5'6"	5	7'0"
6'6"	4	8'6"
8'0"	2	10'6"
10'0"	2	13'0"
12'0"	1	15'6"

Lamp Wattage Multiplier
 100W x 1.47
 60W x 0.74

Single Fixture
 2'0" Distance from Wall

DD	1'	2'	3'	4'
1	14	10	5	2
2	10	8	5	2
3	5	5	3	2
4	3	3	2	1
5	2	2	1	1
6	1	1	1	1
7	1	1	1	0
8	1	0	0	0
9	0	0	0	0
10	0	0	0	0

Zonal Lumen Summary

Zone	Lumens	%Lamp	%Luminaire
0-30	167	9.7	20.5
0-40	279	16.2	34.2
0-60	526	30.6	64.5
0-90	786	45.7	96.4
90-180	29	1.7	3.6
0-180	815	47.4	100.0

Coefficient of Utilization

Ceiling Reflectance	80%				70%		50%		30%		0%
	70	50	30	10	50	10	50	10	50	10	0
Wall Reflectance											
Room Cavity Ratio											
0	56	56	56	56	55	55	52	52	49	49	46
1	50	47	45	43	46	42	44	40	41	39	36
2	45	41	37	34	40	34	38	32	36	31	29
3	41	36	31	28	35	28	33	27	31	26	24
4	38	32	27	24	31	23	29	23	28	22	21
5	34	28	23	20	27	20	26	19	25	19	18
6	32	25	20	17	24	17	23	17	22	16	15
7	29	22	18	15	22	15	21	14	20	14	13
8	27	20	16	13	20	13	19	13	18	12	11
9	25	18	14	11	18	11	17	11	16	11	10
10	23	16	13	10	16	10	16	10	15	10	9

Notes and Formulas:

Cone of Light:

- Beam diameter is to 50% of maximum footcandles, rounded to the nearest half-foot.
- Footcandle values are initial. Apply appropriate light loss factors where necessary.

Wall Illumination:

- Illuminance values are cosine corrected initial values with no contribution from inter reflections from other room surfaces. Total illumination may increase from contributions from other surfaces.
- DD=Distance Down from Ceiling.

Note: Specifications and Dimensions subject to change without notice.

Visit our web site at www.cooperlighting.com