

DESCRIPTION

The Ovation Series is a complete family of recessed direct/indirect luminaires featuring pleasant modern architectural styling, computer-designed optics and the latest energy efficient lamp and ballast technology. The luminaire combines a matte white indirect reflector and a perforated direct lamp shield to provide optimum brightness control. All components are located above the ceiling plane for a clean architectural appearance in the finished space. Carefully balanced design elements combine to provide an efficient and exciting alternative to traditional general lighting. Ovation is an excellent choice for a wide variety of commercial applications.

Catalog #		Type	
Project			
Comments		Date	
Prepared by			

SPECIFICATION FEATURES

Construction

Nominal 6" deep fixture is die formed of code gauge, prime cold rolled steel. Heavy gauge end plates are securely attached for strength, rigidity and the elimination of gaps. Four auxiliary fixture end suspension points are provided. KOs for continuous row wiring. Large access plate for supply connection.

Electrical*

Ballasts are CBM/ETL Class "P" and are positively secured. Biax models use 2G11 base lampholders with double edge wiping action pressure lock contacts and vertically oriented lamp support clips. T8 models use rotor-lock lampholders for positive lamp retention. UL/CUL listed. Suitable for damp locations.

Finish

Durable cold rolled steel with multistage, iron phosphate pretreatment and white enamel finish to ensure maximum bonding and rust inhibition.

Reflectors

Indirect reflector has high reflectance baked matte white enamel finish for luminous uniformity. Positively retained direct lamp shield is constructed of heavy gauge perforated steel with high reflectance painted after fabrication finish and milky white overlay diffuser for visual comfort. All reflectors are precision formed in a computer-controlled operation.

Air Handling

Air handling provides air flow through slots in the housing. Optional directional air vanes are available.

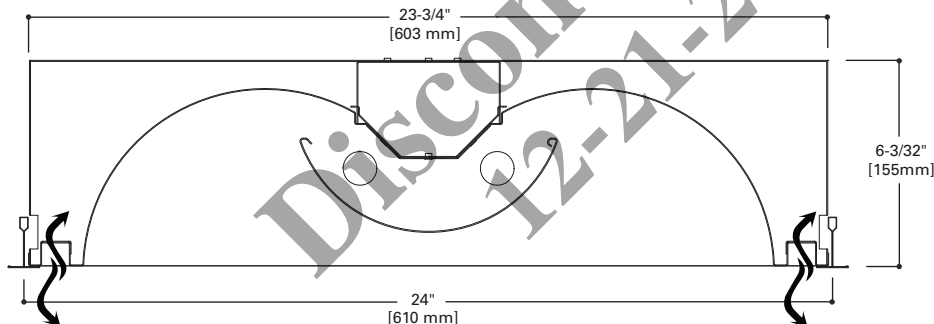
Controls

Fifth Light ballast options are offered for both 0-10V continuous dimming and DALI applications. Combine with energy-saving products like occupan-cy sensors, daylighting con-trols, and lighting relay panels from Cooper Lighting Solutions (www.cooperlighting.com) to maximize energy savings.



2RDIA
132
28T5
54T5

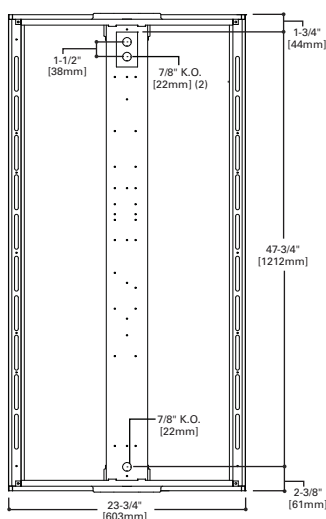
T8 OR T5 LAMPS
2' X 4' Recessed
Direct/Indirect
Center-Mount
Air Handling



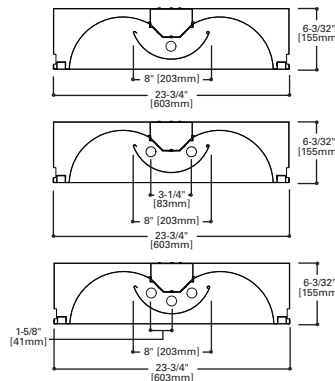
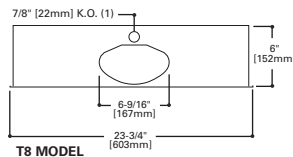
Ovation™



MOUNTING DATA



LAMP CONFIGURATIONS



CEILING COMPATIBILITY

G Grid/Lay-in Standard	T Slot Grid	F Drywall Frame Kit	Ceiling Type**	Trim Type
			Exposed Grid	G
			Concealed T	G or T
			Slot Grid	G or T
			Flange	***

ENERGY DATA

Input Watts:

EB Ballast & STD Lamps
328T8 (67), 232 (55), 332 (81)

T5 Ballast & STD Lamps
228T5 (68), 328T5 (102),
254T5 (106), 354T5 (160)

LER = FL61

Catalog Number: 2RDIA-232

Yearly Cost of 1000 lumens,
3000 hrs at .08 KWH = \$3.93

*Reference the lamp/ballast data in the
Technical Section for specific lamp/ballast
requirements.

**Consult Pre Sales Technical Support.

***See Drywall Frame Kit Accessory

LAMPS CONTAIN MERCURY. DISPOSE ACCORDING TO
LOCAL, STATE OR FEDERAL LAWS

LINEAR DISCONNECT

Safe and convenient means of
disconnecting power.



ORDERING INFORMATION

SAMPLE NUMBER: 2RDIA-232RP-UNV-EB81-U

RDIA	Width 2=2' Width	Series RDIA=Ovation Series (Recessed Direct/Indirect) w/Air Handling	Trim Type Leave Blank=Grid/Lay-in (Standard)	Lamp Position Leave Blank=Center Mounted Lamps (only)	VX =Directional Air Vane	Number of Lamps 1=1 Lamp 2=2 Lamp 3=3 Lamp	Wattage 32=32WT8 (48") 28T5=28WT5 (48") ⁽⁸⁾ 54T5=54WT5HO (48")	Lamp Shield X=Solid Matte White RP=Round Perforated White Steel FLS=Frosted Lamp Shield	Debris Shield⁽⁴⁾ /DS=Debris Shield	Voltage⁽¹⁾ 120V=120 Volt 277V=277 Volt 347V=347 Volt UNV=Universal Voltage 120-277 ⁽²⁾	Options GL=Single Element Fuse GM=Double Element Fuse Lamps=Lamps Installed Flex=Flex Installed EL=Emergency Installed ⁽³⁾	Ballast Type EB8_=T8 Electronic Start. Total Harmonic Distortion < 10% EB8_/PLUS=T8 Electronic Start. Total Harmonic Distortion < 10%. High Ballast Factor > 1.15. ER8_=T8 Electronic Program Rapid Start. Total Harmonic Distortion < 10% EBT_=T5 or T5HO Electronic Program Rapid Start. Total Harmonic Distortion < 10%. Standard Ballast Factor=1.0 Ballast/FactorType EBT_N=T5 Electronic Program Rapid Start. Total Harmonic Distortion < 10%. Normal Ballast Factor=.90 ⁽⁶⁾ EBT_H=T5 Electronic Program Rapid Start. Total Harmonic Distortion < 10%. High Ballast Factor=1.15 ⁽⁷⁾ EBT_NDIM=T5 Electronic Program Rapid Start. Total Harmonic Distortion < 10%. Step Dimming, Normal Ballast Factor=.95-1.0 ⁽⁶⁾ EBT_HDIM=T5 Electronic Program Rapid Start. Total Harmonic Distortion < 10%. Step Dimming, High Ballast Factor=1.15 High Performance T8 Ballasts HB8_=T8 Electronic Instant Start. Total Harmonic Distortion < 10%. Standard Ballast Factor .86 - .88 HB8_L=T8 Electronic Instant Start. Total Harmonic Distortion < 10%. Low Ballast Factor .77 - .82 HB8_N=T8 Electronic Instant Start. Total Harmonic Distortion < 10%. Normal Ballast Factor 1.0 HB8_H=T8 Electronic Instant Start. Total Harmonic Distortion < 10%. High Ballast Factor 1.15 - 1.20 HR8_=T8 Electronic Program Rapid Start. Total Harmonic Distortion < 10%. Standard Ballast Factor .86 - .88 HR8_DIM=T8 Electronic Program Rapid Start. Total Harmonic Distortion < 10%. Step Dimming, Ballast Factor .88 HR8_L=T8 Electronic Program Rapid Start. Total Harmonic Distortion < 10%. Low Ballast Factor .71 - .79 HR8_H=T8 Electronic Program Rapid Start. Total Harmonic Distortion < 10%. High Ballast Factor 1.15 - 1.20 0-10V Dimming Ballasts⁽⁸⁾ 5LTV8_=T8 0-10V Program Rapid Start. Total Harmonic Distortion < 10%. Ballast Factor 0.87 ^{(12), (13)} 5LTVS8_=T8 0-10V Spec Grade Program Rapid Start. Total Harmonic Distortion < 10%. Ballast Factor 0.87 ^{(10), (11), (14)} 5LTV5_=T5 0-10V Program Rapid Start. Total Harmonic Distortion < 10%. Ballast Factor 1.0 ⁽¹⁵⁾ 5LTVS5_=T5 0-10V Spec Grade Program Rapid Start. Total Harmonic Distortion < 10%. Ballast Factor 1.0 ^{(10), (11), (14)} 5LTV5H_=T5HO 0-10V Program Rapid Start. Total Harmonic Distortion < 10%. Ballast Factor 1.0 ⁽¹⁵⁾ 5LTVS5H_=T5HO 0-10V Spec Grade Program Rapid Start. Total Harmonic Distortion < 10%. Ballast Factor 1.0 ^{(10), (11), (14)} Fifth Light DALI Ballasts⁽⁸⁾ 5LT8_=T8 DALI Program Rapid Start. Total Harmonic Distortion < 10%. Ballast Factor 1.0 5LT5_=T5 DALI Program Rapid Start. Total Harmonic Distortion < 10%. Ballast Factor 1.0 5LT5H_=T5HO DALI Program Rapid Start. Total Harmonic Distortion < 10%. Ballast Factor 1.0	Number of Ballasts 1=1 Ballast 2=2 Ballasts 3=3 Ballasts	Options LSC=Lamp Shield Cable (other options available)	Packaging U=Unit Pack PALC=Palletized Fixtures in Carton
-------------	----------------------------	--	--	---	---------------------------------	--	---	---	---	---	---	--	--	---	---

ACCESSORIES

T3A End E.O. Bracket Parts Bag
DF-24-W=Drywall Frame Kit

NOTES: ⁽¹⁾ Products also available in non-US voltages and frequencies for international markets. ⁽²⁾ Not available when specifying emergencies, voltage must be specific. ⁽³⁾ For EM option, single ballast configurations only. ⁽⁴⁾ Only compatible with X, FLS and RP lamp shields. ⁽⁵⁾ .90 ballast factor available for 2 or 3 14WT5 or 28WT5 lamps only. ⁽⁶⁾ 1-Lamp step dimming ballast in a Normal Ballast factor not available. ⁽⁷⁾ 2-Lamp ballast will not operate 1-Lamp. ⁽⁸⁾ 1-Lamp ballast in a High Ballast factor not available. ⁽⁹⁾ For a complete listing of Fifthlight Technology products and other solutions from Cooper Lighting Solutions, visit www.cooperlighting.com. ⁽¹⁰⁾ 0-10V ballast do not include DALI feature. Please select DALI ballast for use with Fifth Light system. ⁽¹¹⁾ Specification grade 0-10V dimming ballast are NEMA premium and CEE listed. They are compatible with low mercury and energy saving lamps. ⁽¹²⁾ Specification Grade 0-10V ballast not offered in 3 or 4-lamp versions. ⁽¹³⁾ Standard 0-10V ballast not available for 28W T8 lamps. ⁽¹⁴⁾ Voltage must be specified for Standard 0-10V 32W 3 and 4-lamp ballast. ⁽¹⁵⁾ Specification Grade 0-10V ballast not offered in 3 or 4-lamp versions. ⁽¹⁶⁾ Standard 0-10V ballast not offered in 3 or 4-lamp versions.

For complete product data, reference the Fluorescent Specification binder. Specifications & dimensions subject to change without notice. Consult your Cooper Lighting Solutions Representative for availability and ordering information.

SHIPPING INFORMATION

Catalog No.	Wt.
2RDIA-232RP	30 lbs.
2RDIA-228T8RP	30 lbs.
2RDIA-228T5RP	28 lbs.
2RDIA-254T5RP	28 lbs.



Cooper Lighting Solutions
1121 Highway 74 South
Peachtree City, GA 30269
P: 770-486-4800
www.cooperlighting.com

Specifications and dimensions subject to change without notice.