

COOPER LIGHTING SOLUTIONS - METALUX®

DESCRIPTION

The energy efficient BE Series features decorative non-luminous end caps for more direct task lighting. The BE with an acrylic prismatic refractor provides an attractive ambience without increasing brightness. BE luminaires offer up, down or combination lighting. The BE Series features wall washing upright, multi-level switching and convenience outlets as available options.

The BE Series features efficiency in a low profile wall bracket. The Series is an excellent choice for dressing rooms, lavatories, hospital and nursing homes, stairways and task lighting.

Catalog #		Type
Project		
Comments		Date
Prepared by		

SPECIFICATION FEATURES

Construction

Housing die formed code gauge prime cold rolled steel. Channel cover secured by quarter-turn fasteners for easy wiring access. Up, down or combination lighting with 3 or 4 foot fixtures. Decorative opaque injection molded end plates.

Electrical

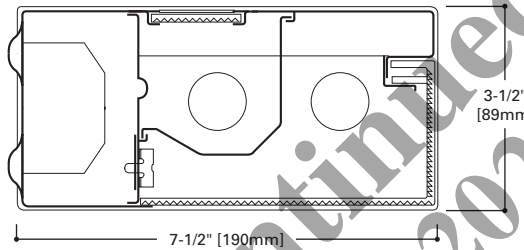
Ballast are CBM/ETL Class "P" and positively secured by mounting bolts. Pressure lock lampholders. UL/CUL listed. Suitable for damp locations.

Finish

Painted after fabrication. Electrostatically applied baked white polyester powder enamel finish. Multistage cleaning cycle, iron phosphate coating with rust inhibitor. Conveyorized application and baking timing accurately controlled at an elevated temperature.

Frame/Shielding

100% virgin acrylic prismatic diffuser. Front of diffuser has inside linear prisms and bottom has pyramidal prisms for low brightness control. Diffuser slides forward for easy installation and maintenance. Uplight diffuser prismatic acrylic.



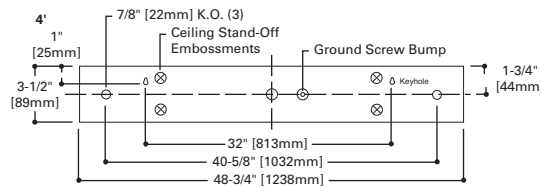
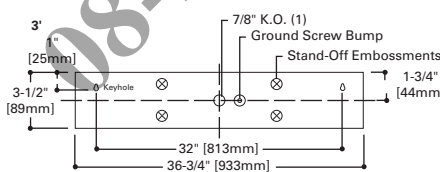
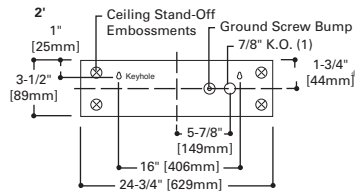
BE, BEU

120, 117, 130
125, 140, 132
220, 217, 230
225, 240
232

2', 3' OR 4' WALL BRACKET
1 OR 2 LAMP

Commercial Wall Bracket

MOUNTING DATA



LAMP CONFIGURATIONS



ENERGY DATA

Input Watts:

EB Ballast & STD Lamps
117 (20), 130 (31), 125 (28), 140 (38),
132 (30), 217 (36), 230 (60), 225 (47),
240 (72), 232 (61)

ES Ballast & STD Lamps
120 (32), 117 (23), 130 (46), 125 (33),
140 (38), 132 (30), 220 (58), 217 (45),
230 (74), 225 (65), 240 (86), 232 (71)

Luminaire Efficacy Rating

LER = FL-67

Catalog Number: BE-232A

Yearly Cost of 1000 lumens,
3000 hrs at .08 KWH = \$3.58

LAMPS CONTAIN MERCURY. DISPOSE ACCORDING
TO LOCAL, STATE OR FEDERAL LAWS

LINEAR DISCONNECT

Safe and convenient means of
disconnecting power.



PHOTOMETRICS

Energy Saving Ballast, F32T8/35K lamps rated at 2850 lumens.
 Spacing Criterion: (H)1.6 x mounting height, (L)1.3 x mounting height.

Light Loss Factor .70. For complete photometric report request report BE232.IES

BE-232A

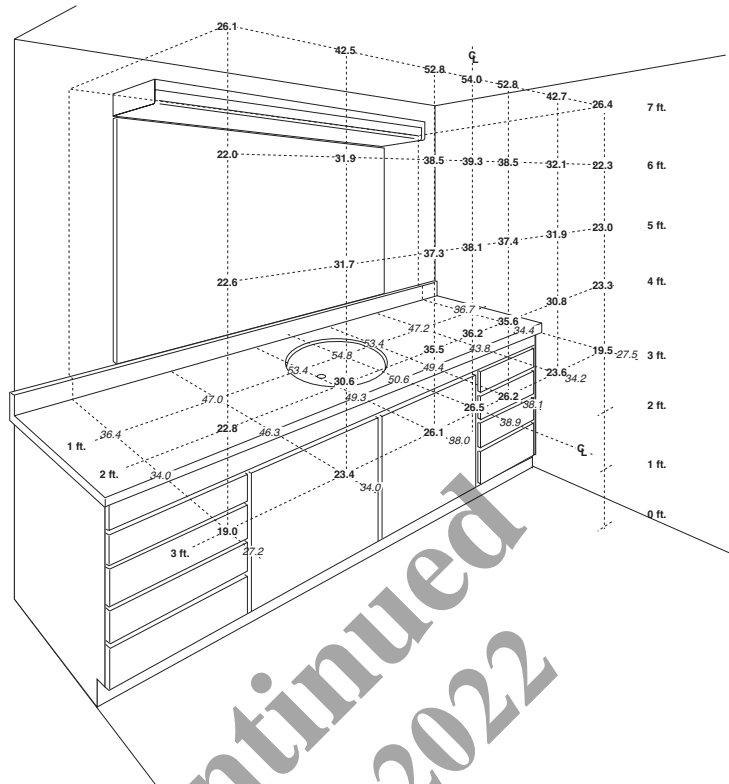
Lamps (2) F32T8/35K
 Lumens 3150 Each

Conditions

Room Size 6' Width x 12' Length
 Ceiling Height 9'-0"

Reflectance

Ceiling 80%
 Walls 50%
 Floor 20%



Bold Number denote Vertical Point by Point.

Scale is Exaggerated on Fixture Application and Mounting

ORDERING INFORMATION

SAMPLE NUMBER: BE-232-120V-EB81-U

<p>Series BE=Steel Wall Bracket Downlight only BEU=Steel Wall Bracket (Up and Down Light)</p>	<p>Ballast Start Type LTS=Low Trigger Start (20 Watt only) (120V only) HTS=High Trigger Start (20 Watt only)</p>	<p>Ballast Type ⁽¹⁾ Blank=Standard Magnetic T12 Ballast EB8 = T8 Electronic Instant Start. Total Harmonic Distortion < 10% No. of Ballast 1, 2 or 3 EB8 /PLUS= T8 Electronic Instant Start. No. of Ballast 1, 2 or 3 High Ballast Factor >1.13. Total Harmonic Distortion < 20% ER8 = T8 Electronic Program Rapid Start. Total Harmonic Distortion < 10% No. of Ballast 1, 2 or 3 EB2 =T12 Electronic Rapid Start. No. of Ballast 1 or 2</p>	<p>Packaging U=Unit Pack</p> <p>Options 2/1 LB=(2) One-Lamp Ballasts (When RS4 or PS4 option is used) BH=Matte Black Finish (Lens Housing) CO=Convenience Outlet (120V only) PS1=Pull Switch (1 circuit) PS1D=Pull Switch, wired to the downlight circuit on a two circuit fixture (120V only) PS4=Four-way pull switch, for two circuit, two lamp fixture (120V only) PL5 or PL7=Fluorescent Night Light (5 or 7 Watt) Only available in fixtures without a baffle RLS=Rotor-Lock Socket (T8 Lamp Only)</p>
<p>Number of Lamps 1=1 Lamp (Not Included) 2=2 Lamps (Not Included)</p>	<p>Voltage ⁽¹⁾ 120V=120 Volt 277V=277 Volt 347V=347 Volt UNV=Universal Voltage 120-277⁽²⁾</p>		
<p>Wattage 20=20W T12 (24") 17=17W T8 (24") 25=25W T8 (36") 30=30W T12 (36") 32=32W T8 (48") 40=40W T12 (48")</p>	<p>Options GL=Single Element Fuse GM=Double Element Fuse EL=Emergency Installed</p>		

NOTES: ⁽¹⁾Products also available in non-US voltages and frequencies for international markets.
⁽²⁾Not available when specifying emergencies, voltage must be specific.

Specifications & dimensions subject to change without notice. Consult your Cooper Lighting Solutions Representative for availability and ordering information.

SHIPPING DATA

Catalog No.	Wt.
BE-117	8 lbs.
BE-125	11 lbs.
BE-132	14 lbs.
BEU-117	8 lbs.
BEU-125	11 lbs.
BEU-132	14 lbs.
BE-217	8 lbs.
BE-225	11 lbs.
BE-232	14 lbs.
BEU-217	8 lbs.
BEU-225	11 lbs.
BEU-232	14 lbs.