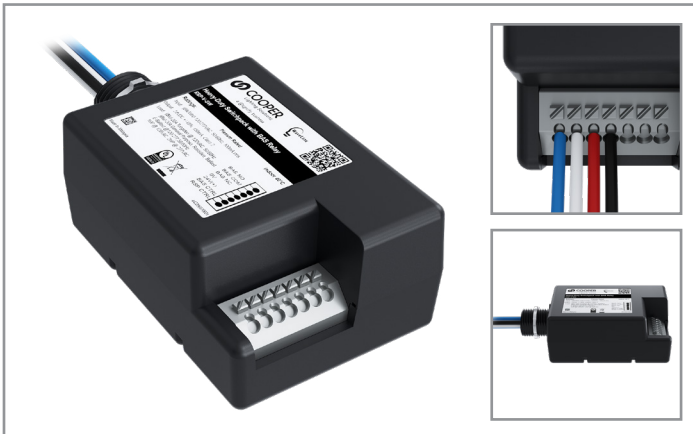


Project		Catalog #		Type	
Prepared by		Notes		Date	



WaveLinx

Heavy Duty Switchpack with BAS Relay (RSP-V-SW)

Provides 24VDC operating voltage for use with occupancy sensors and daylighting controllers

Interactive Menu

- Order Information page 2
- Wiring Diagrams page 3
- Mounting Diagrams page 4
- Product Warranty



- Meets ASHRAE Standard 90.1 requirements
- Meets Title 24 requirements

Product Features



Overview

The Heavy Duty Switchpack (RSP-V-SW) delivers a wide array of switching solutions in a single unit. This robust powerpack is designed to deliver unmatched performance. The RSP-V-SW features robust and reliable mechanical latching relays, exclusive fail-safe circuitry, daylight harvesting, bi-level switching and is configurable for energy code requirements. The switchpack is specifically designed to handle high inrush electronic ballast loads and offer unmatched durability and service.

Product Features & Benefits

- Form C relay for BAS integration
- Fail-safe circuitry – in the event of failure, return-to-closed (ON) capability
- Zero-crossing circuit provides increased durability, especially with today's high inrush loads
- Voltage regulated to 24VDC, 150mA
- LED ready
- Suitable for general purpose plug load control

 additional product diagrams

Order Information

Catalog Number

Catalog Number	Ratings	(LED) Ballast	General Purpose (Plug Load)	Motor (HP)	Output
RSP-V-SW	120/277VAC, 50/60 Hz	16A	20A	1HP-120V, 2HP-250V	24 VDC, 150mA

Product Specifications

Key Features

- The RSP-V-SW is the latest addition to the WaveLinX Switchpacks family, delivering a wide array of switching solutions in a single unit
- The RSP-V-SW features robust and reliable mechanical latching relay
- The switchpack is specifically designed to handle high inrush electronic ballast loads and offer unmatched durability and service
- Can be used to comply with NY LL48, IECC, ASHRAE 90.1 and Title 24, Part 6 daylight harvesting, demand response, bi-level switching and receptacle control requirements
- Auto-ON / Auto-OFF with local switch
- Manual-ON / Auto-OFF with local switch

Mechanical

Size: 2.40"H x 4.375"W x 1.43"D (60.96mm x 111mm x 36.37mm)

Environment:

- **Operating temperature:** 32°F - 122°F (0°C - 50°C)
- **Relative humidity operating:** 0-90%, non-condensing
- For indoor use only

Mounting: Plenum rated for external junction box mounting, with Teflon coated leads

Housing:

- **Case:** high impact, UL rated plastic
- **Relay:** 60A rated magnetic latching relay; silver alloy contacts
- **Wire:** 6" leads, 18AWG input; 14AWG load; LV connections: Stab-in connectors
- Medium impact injection molded housing.
- ABS resin complies with UL 94V-0.

Electrical

Input:

- 120/277VAC, 50/60 Hz

Output:

- 15A Tungsten @ 120 VAC; 50/60 Hz
- 20A Ballast @ 120 VAC; 50/60 Hz
- 20A Ballast @ 277 VAC; 50/60 Hzs
- 16A, 4430W @ 277V – LED
- 1HP @ 120V – Motor Load
- 2HP @ 250V – Motor Load
- Suitable for general purpose plug load control - 20A, 2400W @120V
- Can be used to comply with NY LL48, IECC, ASHRAE 90.1 and Title 24, Part 6 daylight harvesting, demand response, bi-level switching and receptacle control requirements

Output: 24VDC +/- 10%, 150mA

Load: 1 HP 120-240 VAC; 2 HP 250 VAC

Ballast compatibility:

- LED loads
- Magnetic and Electronic ballasts

Standards/Ratings

- UL Listed: UL840
- Can be used to comply with NY LL48, IECC, ASHRAE 90.1 and Title 24, Part 6 daylight harvesting, demand response, bi-level switching and receptacle control requirements

Environmental Regulations:

- RoHs Compliant

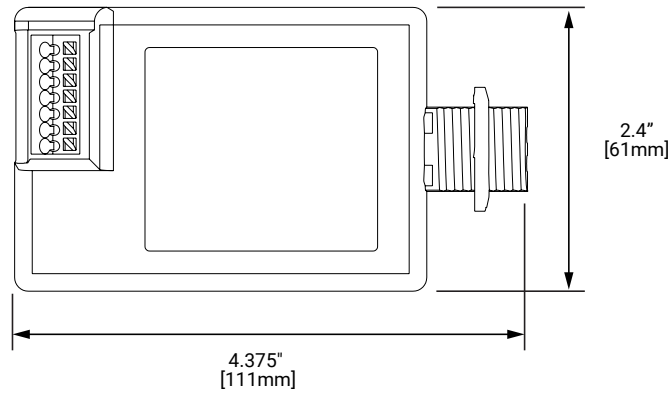
Warranty

Five-year warranty standard



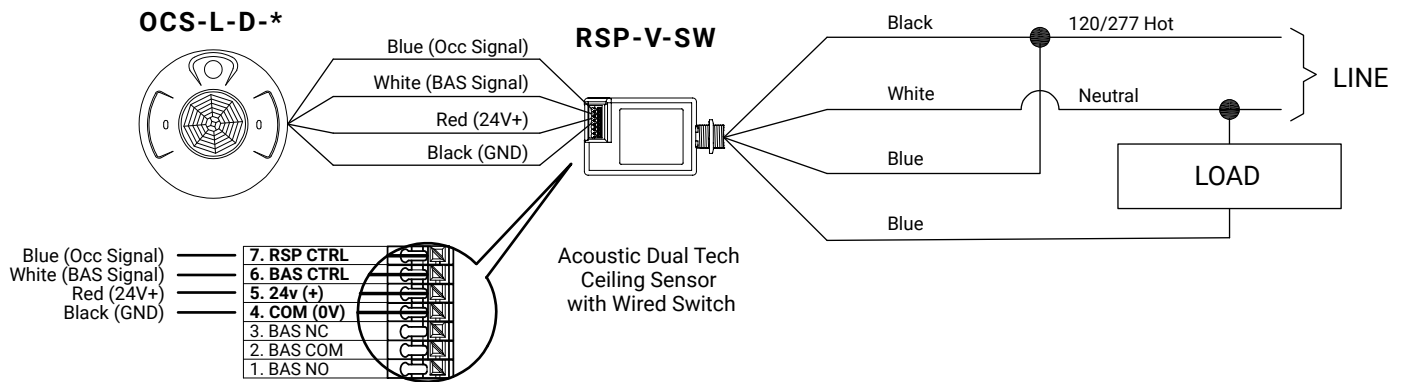
Download the WaveLinX Mobile App from either the Google Play or Apple Store®

Dimensional Details

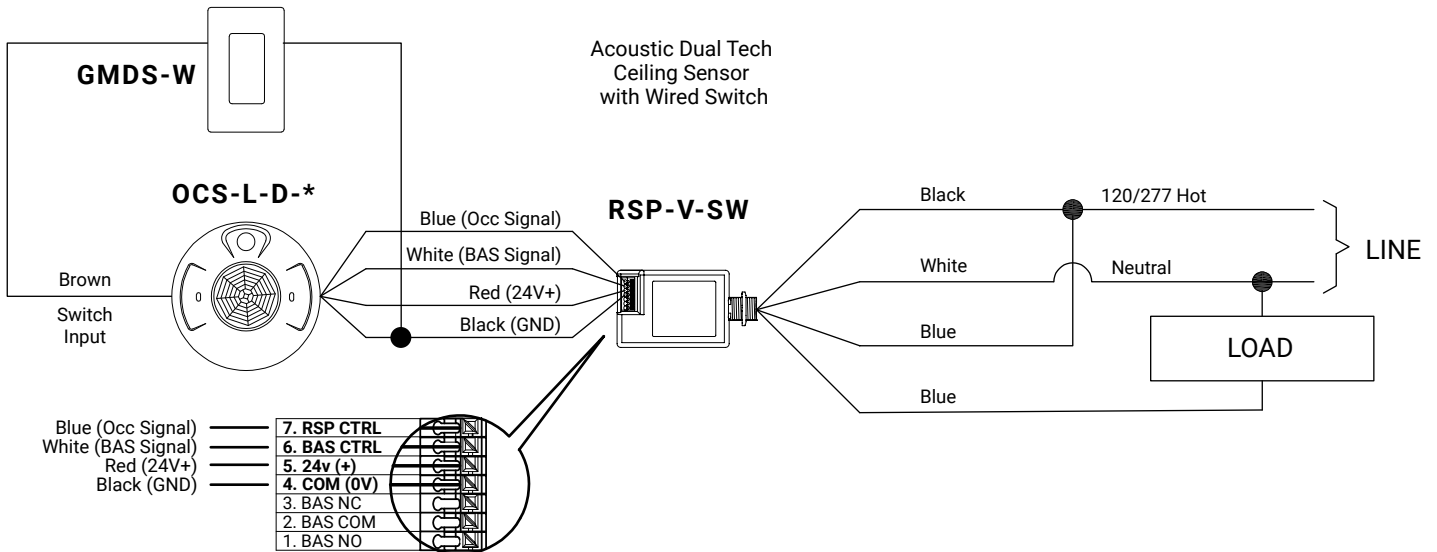


Wiring Diagrams

Auto ON/Auto OFF*



Auto ON/Auto OFF with Local Switch*

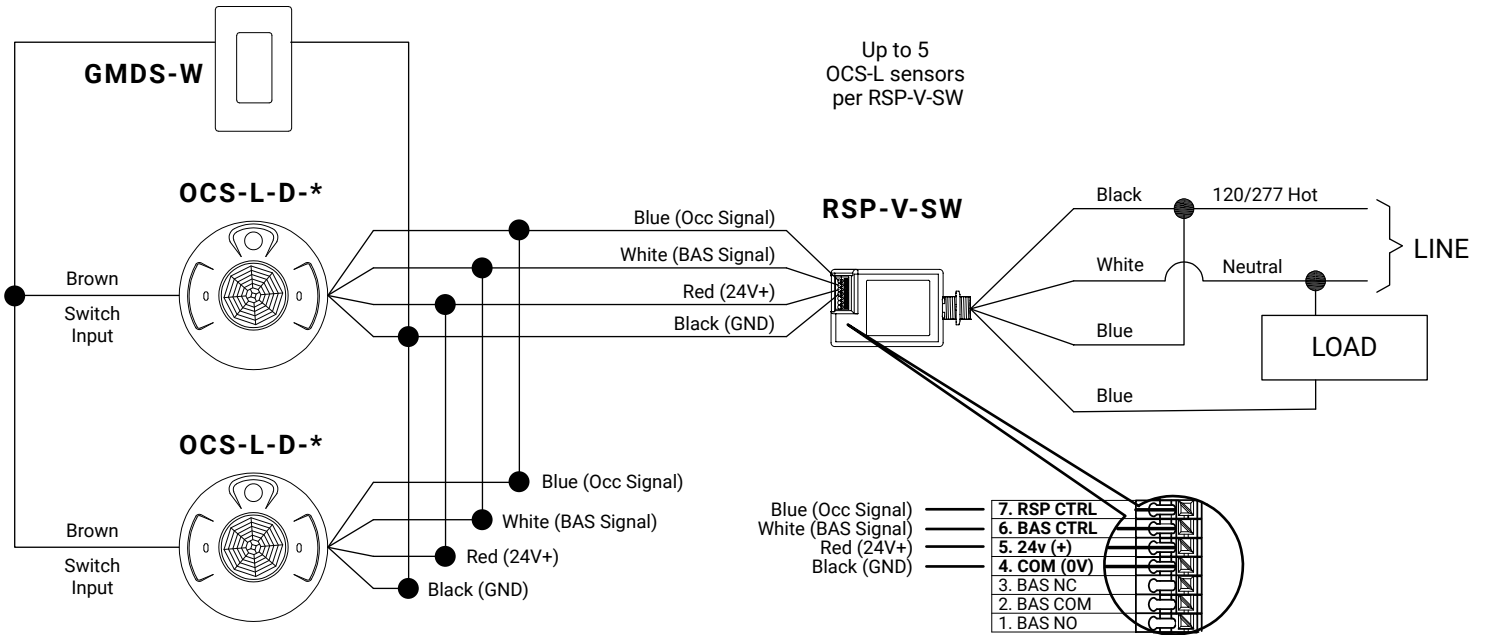


Note: Switchpack and the load switched by the switchpack MUST be fed from the same phase.

*For manual on and auto off adjust sensor to vacancy mode in app

Wiring Diagrams

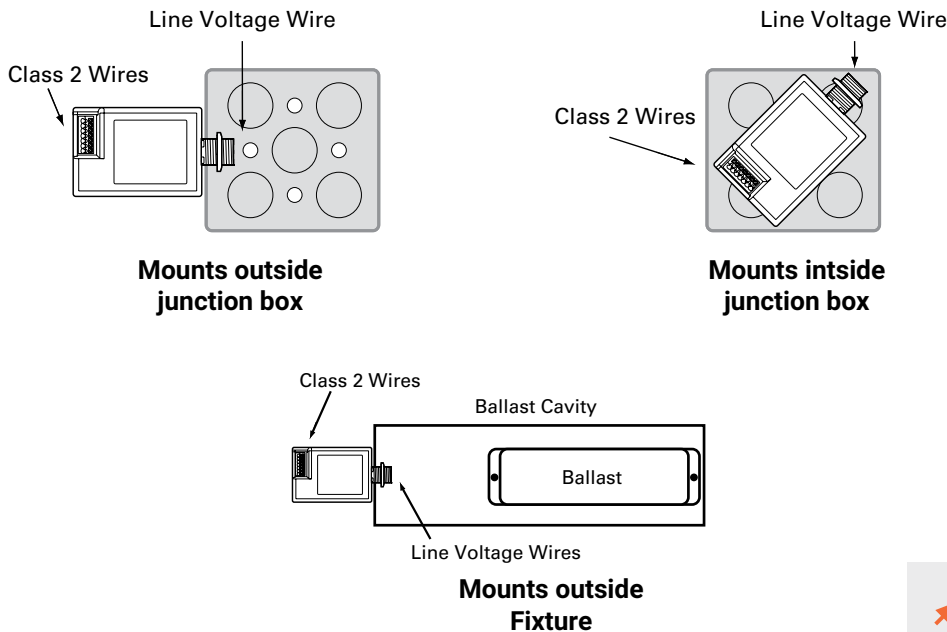
Auto On/Auto OFF with Local Switch and multiple sensors on single Switchpack*




Note: Switchpack and the load switched by the switchpack MUST be fed from the same phase.

*For manual on and auto off adjust sensor to vacancy mode in app

Mounting



 **Control Systems**
• WaveLinx