

Project		Catalog #		Type	
Prepared by		Notes		Date	



WaveLinx

DALI-2 Occupancy Ceiling Sensor (OCS-D2-***)

Ceiling mount occupancy and daylight sensor

Typical Applications

Office • Education • Healthcare • Hospitality • Retail • Industrial • Manufacturing

Interactive Menu

- Order Information page 2
- Additional Resources page 3
- System Diagram page 7
- Product Warranty



Part 15/ECES-003



- Meets latest ASHRAE Standard 90.1 requirements
- Meets latest IECC requirements
- Meets latest CEC Title 24 requirements
- Manufactured in an ISO 9001 certified factory

Product Features



WaveLinx Mobile App



WaveLinx DALI 2 Bus



WaveLinx DALI 2 IP Based Communication



Occupancy Sensor



Daylighting Control



PIR Detection

Compatibility



Overview

WaveLinx DALI-2 ceiling sensor combines daylight sensing and occupancy detection into a single device. The ceiling sensor communicates over the DALI-2 bus and allows for all device settings and groups to be adjusted remotely.

Product Features & Benefits

- DALI-2 certified ceiling sensor
- Daylight sensing and occupancy detection in a single device
- All device settings programmable through software
- Ultra low profile and small diameter
- DALI-2 Bus powered eliminates the need for external power packs

product diagrams

Order Information

WaveLinx DALI-2 Occupancy Ceiling Sensors are accessories to the WaveLinx system which may be commissioned via the WaveLinx mobile app.

SAMPLE ORDER NUMBER: **OCS-D2-P06**

Catalog Number

Catalog Number	Description
OCS-D2-P06	WaveLinx DALI-2 PIR Ceiling Sensor, 600 sqft
OCS-D2-P12	WaveLinx DALI-2 PIR Ceiling Sensor, 1200 sqft

Required Accessories

Catalog Number

Catalog Number	Description
WAC2-POE	WaveLinx Area Controller, PoE powered
WDP-D2- * - *	WaveLinx DALI Panel (refer to spec sheet for more details)

Optional Accessories

Catalog Number

Catalog Number	Description
GS308PP	WaveLinx Unmanaged Network Switch with 8 POE+ Ports

Product Specifications

Key Features

- Daylight sensing and occupancy detection technologies combined into a single device
- All device settings (timers, sensitivity and groups) programmable through WaveLinx app, no physical adjustments are needed
- Ultra low profile and small diameter provides an aesthetically pleasing design
- Powered by the DALI-2 two-wire communication bus

Mechanical

Size: 3.6"H x 3.6"W x 1.4"D (91mm x 91mm x 36mm)

Mounting:

- Can be installed in 2-1/8" deep, 4" octagonal junction box
- Cutout utilizes standard 3" hole saw sizes

Color: White

Coverage: 600 or 1200 sq. ft. at 8' ceiling height

Occupancy Detection Technology: Passive Infrared (PIR)

Lens Type: Multi-level Fresnel 360°

Daylight Sensing Range: 0 to 400 lux

Daylight Sensing Coverage: Light input within 60° cone

Environmental:

- **Operating temperature:** 32°F to 104°F (0°C to 40°C)
- For indoor use only

Electrical

Status Indicator: 2 LEDs: White (occupancy), Identify (magenta)

Input Voltage: 10-22.5 VDC supplied by DALI-2 communication bus

Wiring: 18 AWG stranded PTFE plenum rated. Suitable for Class 1 or Class 2 wiring (per NEC 724.48 and 722.15)

Control Specification:

- **Communication Interface:** Two wire DALI-2 bus
- **Current Draw:** 7mA

Start-up time: <500 ms

Standards/Ratings*

- FCC Part 15/ECES-003
- Manufactured in an ISO 9001 certified factory
- Meets ASHRAE Standard 90.1 requirements
- Meets IECC requirements
- Meets CEC Title 24 requirements
- DALI Part 303 and 304

Product Safety:

- IEC 60950-1
- UL 60950-1
- EN 60950-1
- CAN/CSA-C22.2 No. 60950-1

Environmental Regulations:

- RoHS Directive 2011/65/EU
- WEEE Directive 2012/19/EU
- GTIN: DALI-2 Ceiling Sensor: 080083457700

Warranty

Five year warranty standard

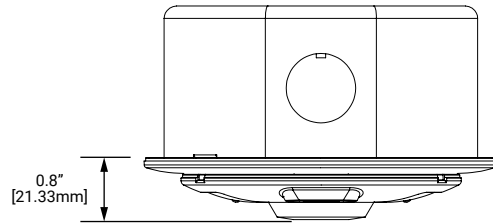
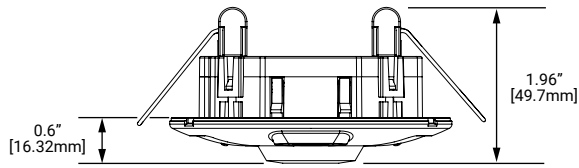
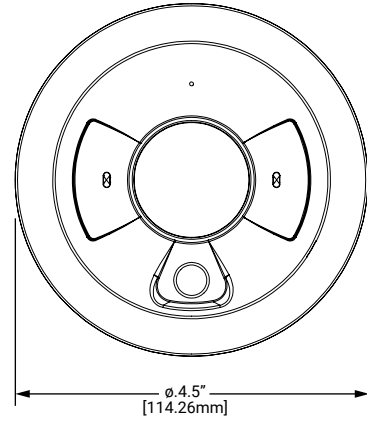
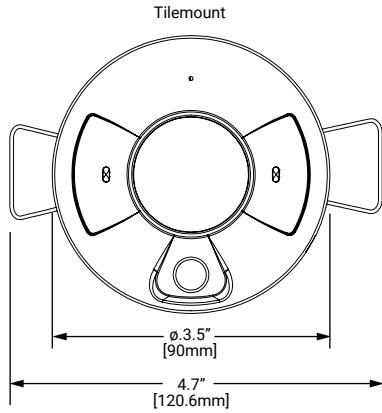


Download the WaveLinx Mobile App from either the Google Play or Apple Store®

Dimensional Details

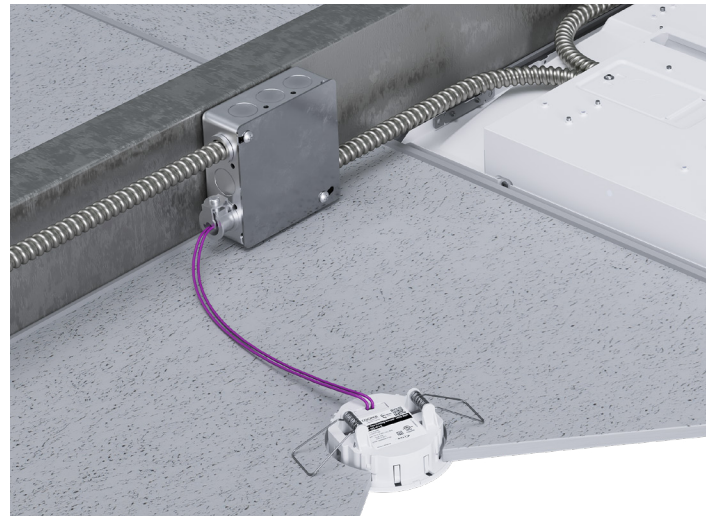
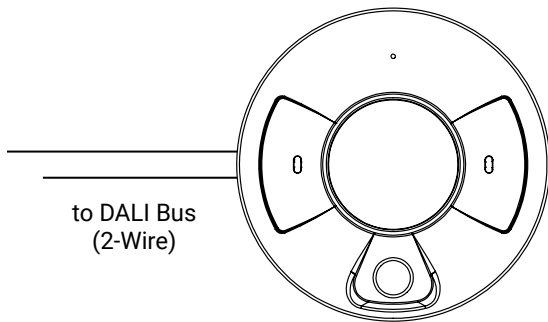
Sensor is designed to be installed into ceiling tile or onto a junction box.

4" Octagon, 2 1/8" deep Junction Box with adapter plate and trim ring



Installation

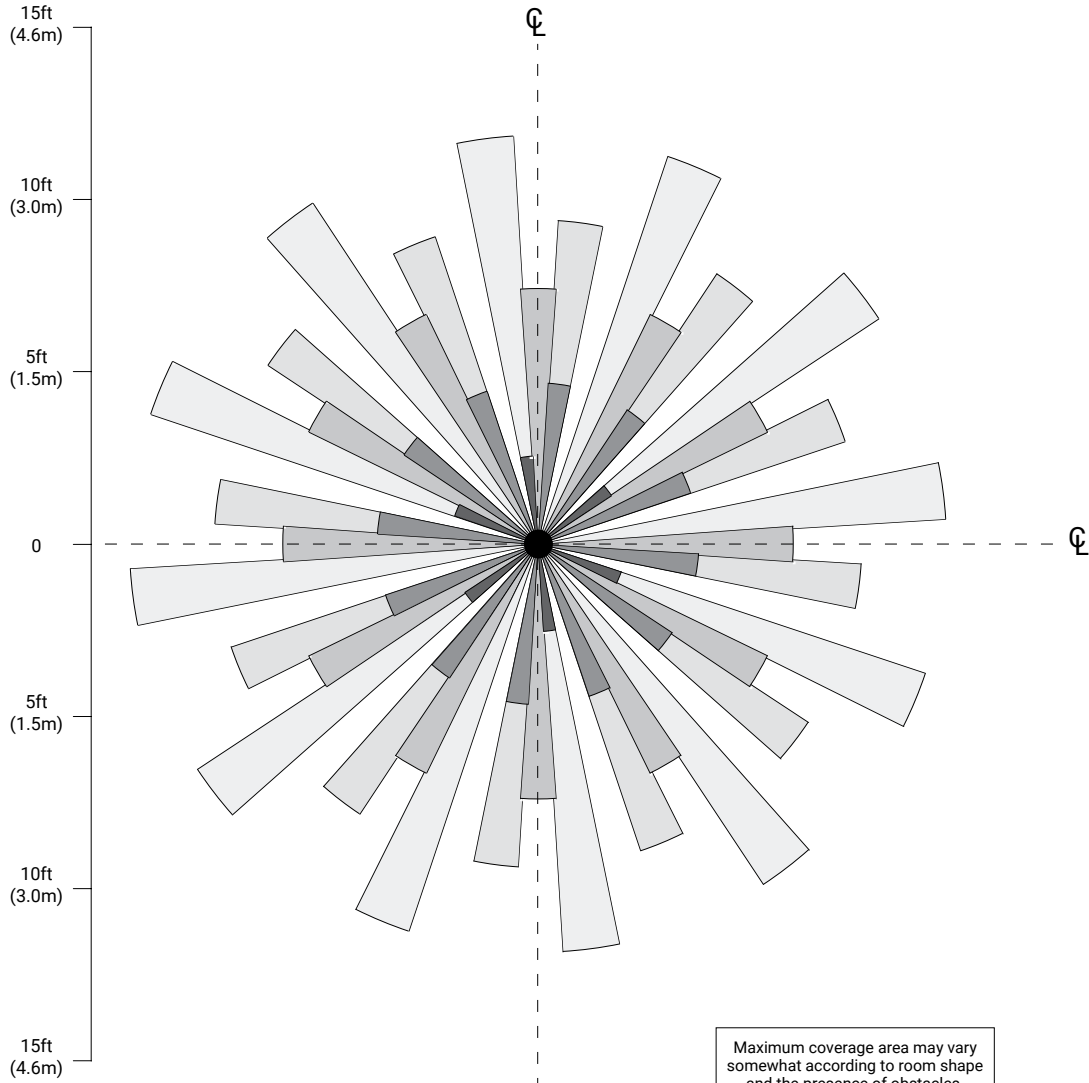
The Multi-Sensor is designed to be installed into ceiling tile or onto a junction box.



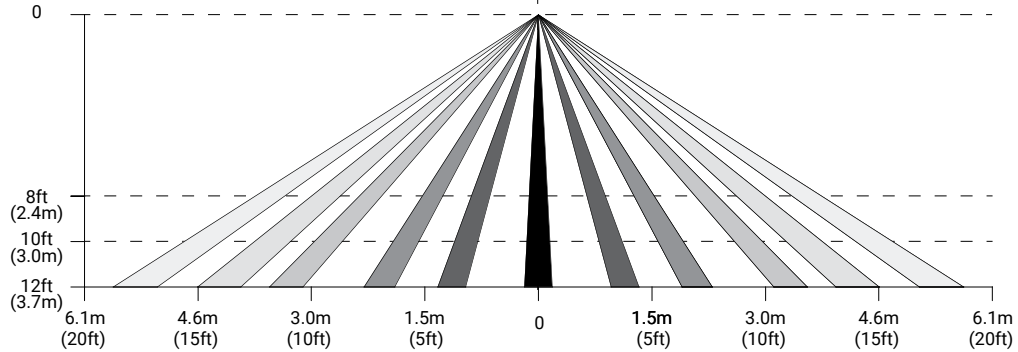
Coverage

OCS-D2-P06 (600 sqft)

TOP VIEW:



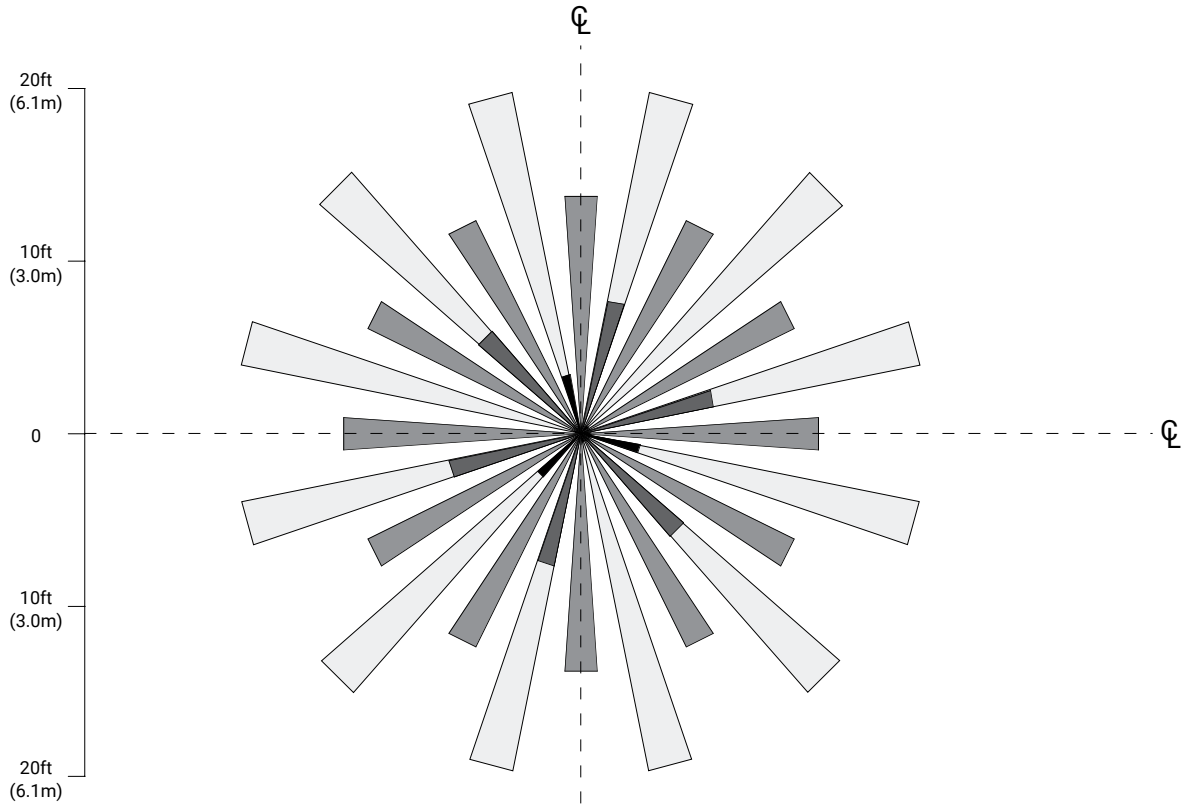
SIDE VIEW:



Coverage

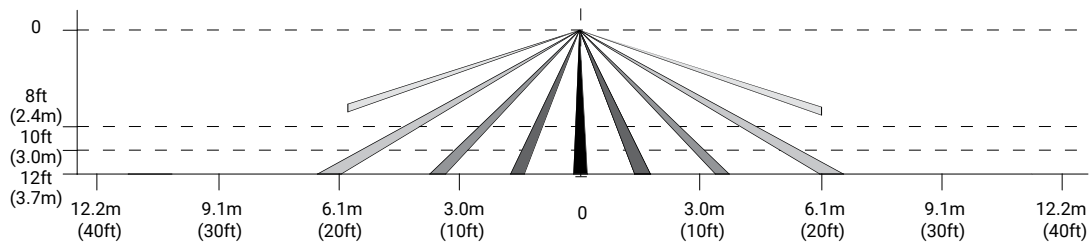
OCS-D2-P12 (1200 sqft)

TOP VIEW:



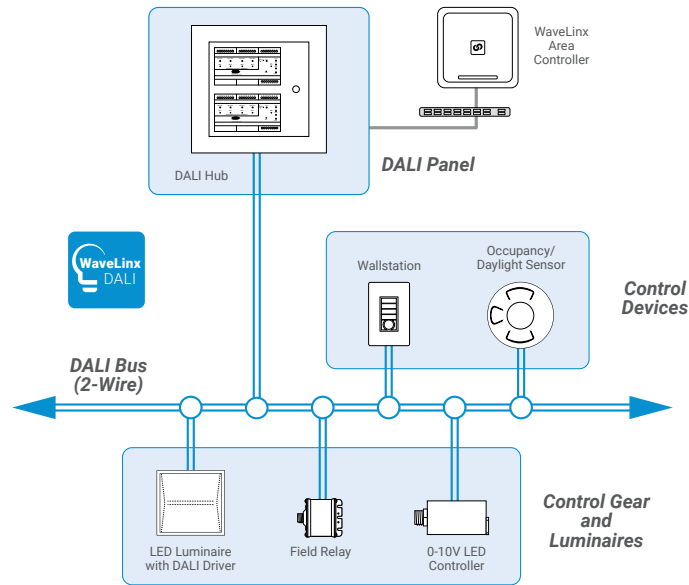
Maximum coverage area may vary somewhat according to room shape and the presence of obstacles.

SIDE VIEW:



System Diagram:

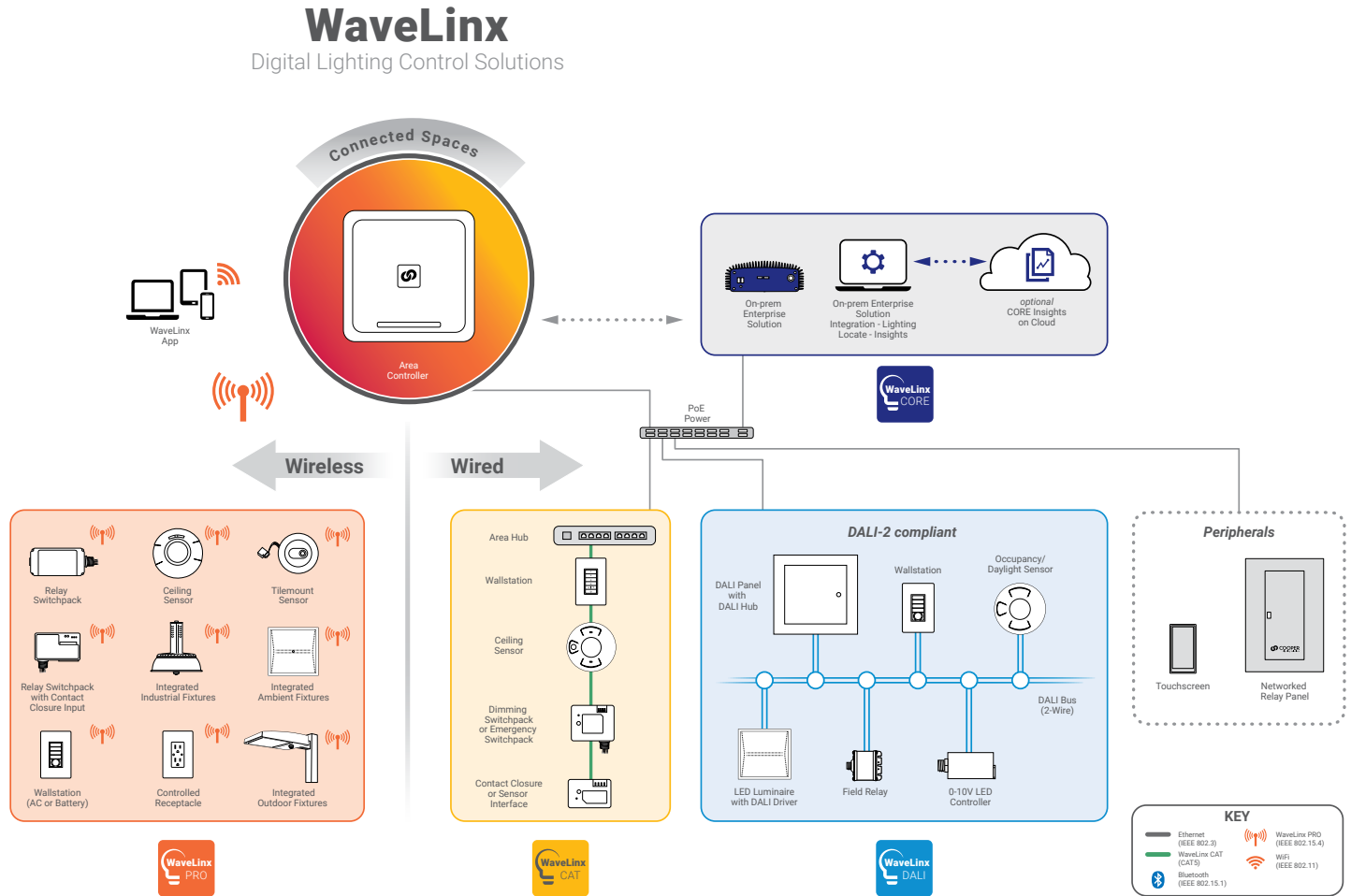
This diagram shows the the main components and topology of the WaveLinx system with DALI devices. The WaveLinx DALI devices use DALI-2 wires for device to device communications while connected to a WaveLinx Area Controller. The WaveLinx DALI enables DALI certified luminaries/drivers and peripherals to function with other WaveLinx devices.



System Diagram:

This diagram shows the main components of the WaveLinx connected lighting system with WaveLinx DALI, CAT and PRO devices. The PRO devices communicate using wireless mesh technology based on the IEEE 802.15.4 standard. A PoE LAN connection for each WaveLinx Area Controller (WAC) is required for power and data access to the building lighting network. The CAT devices communicate over the category 5 based communication bus and control the light fixtures using a relay (on/off) and 0-10V output (dim/raise). WaveLinx DALI devices communicate via a DALI bus (2 wires), which connects various components including DALI fixtures, a DALI DAC (DALI to 0-10V converter), DALI field relays, DALI wallstations, and DALI occupancy sensors. WaveLinx Area Controllers (WAC) communicate with WaveLinx CORE Apps over the Ethernet network.

[View WaveLinx Network and IT Guidance Technical Guide](#)



Control Systems
• WaveLinx