

Project		Catalog #		Type	
Prepared by		Notes		Date	



# WaveLinx

## CAT Sensor Interface Module (SIM-C-V)

Offers connectivity to DualTech Analog Sensors

### Typical Applications

Office • Education • Healthcare • Hospitality • Retail

### Interactive Menu

- Order Information page 2
- Additional Resources page 3
- Wiring Diagrams page 3
- Connected Systems page 4
- Product Warranty



- Meets latest ASHRAE 90.1 - 2019 requirements
- Meets latest IECC - 2021 requirements
- Meets latest Title 24 - 2019 requirements
- Manufactured in an ISO 9001 certified factory

### Product Features



### Compatibility



## Overview

The Sensor Interface module is an integral part of the WaveLinx connected lighting system and provides network addressability to a variety of Greengate dual tech sensors. The sensors are powered by the SIM module offers a limited configurability for sensor parameters through WaveLinx CAT mobile app.

## Product Features & Benefits

- **Augment the sensor offering to meet the specifications** – Compatible with Greengate brand dual tech sensors
- **Simple Installation** – Powered by CAT Bus, no separate power supply is required
- **Easy to configure** – Limited remote configuration via WaveLinx mobile apps

product diagrams

## Order Information

### Catalog Number

Catalog Number	Description
SIM-C-V	SIM-C Sensor Interface Module
SIM-OAC-DT-1000	SIM-C Sensor Interface Module with OAC-DT-1000 Ceiling Sensor Combo
SIM-OAC-DT-2000	SIM-C Sensor Interface Module with OAC-DT-2000 Ceiling Sensor Combo

## Required Accessory

The WaveLinx CAT network requires termination of the local CAT bus network on both ends.

### Catalog Number

Catalog Number	Description
ACC-C-TP-6PK	ACC-C Canbus Termination Plug - 6PK

## Optional Accessories

### Catalog Number

Catalog Number	Description
GGRJ45-03-G	RJ45 cables 3 feet
GGRJ45-10-G	RJ45 cables 10 feet
GGRJ45-25-G	RJ45 cables 25 feet
GGRJ45-50-G	RJ45 cables 50 feet
GGRJ45-100-G	RJ45 cables 100 feet
GGRJ45-10P-G	RJ45 cables 10 feet plenum rated
GGRJ45-25P-G	RJ45 cables 25 feet plenum rated
GGRJ45-50P-G	RJ45 cables 50 feet plenum rated
GGRJ45-100P-G	RJ45 cables 100 feet plenum rated

## Product Specifications

### Key Features

- List of compatible Greengate Sensor Catalog number:
  - OAWC-DT-120W
  - OAWC-DT-120W-R
  - OAC-P-0500-R
  - OAC-P-1500
  - OAC-P-0500
  - OAC-DT-0501
  - OAC-DT-0501-R
  - OAC-DT-1000
  - OAC-DT-1000-R
  - OAC-DT-2000
  - OAC-DT-2000-R
  - OAC-P-1500-R
  - OAC-U-2000
  - OAC-U-2000-R
  - OXC-P-1500-R
  - OXC-P-2MH0-R
  - OCS-L-D-06
  - OCS-L-D-12
  - OCS-L-D-20
- Programmable by mobile app
- Device identification LED

### Mechanical

**Size:** 2.28" W X 3.34" H X 1.5" D (58mm x 85mm x 38mm)

**Mounting:** Detachable mounting tabs

**Color:** Black

### Environmental:

- Operating temperature:** 32°F to 104°F (0°C to 40°C)
- Operating relative humidity:** 5% to 85% non-condensing
- Storage temperature:** -22°F to 158°F (-30°C to 70°C)
- For indoor use only

### Electrical

#### Output Types:

- 24VDC pass through with protection to power a sensor (ONE Greengate sensor powered by ONE SIM)

#### Input Types:

- Two (2) non-isolated inputs from Greengate Sensor

#### Network connection:

- CAT-5 Solid Copper 24AWG
- T568B pin/pair assignment is recommended for all CAT-5 cable

#### Standards/Ratings\*

- cULus Listed - Energy Management Equipment (UL916)
- FCC Part 15
- Manufactured in an ISO 9001 certified factory
- Meets latest ASHRAE 90.1 - 2019 requirements
- Meets latest IECC - 2021 requirements
- Meets latest Title 24 - 2019 requirements
- WaveLinx CAT is DLC Listed for interior applications - meeting the NLC5 Technical Requirements

#### Environmental Regulations:

- RoHS
- Plenum UL2043
- Chicago Plenum rated

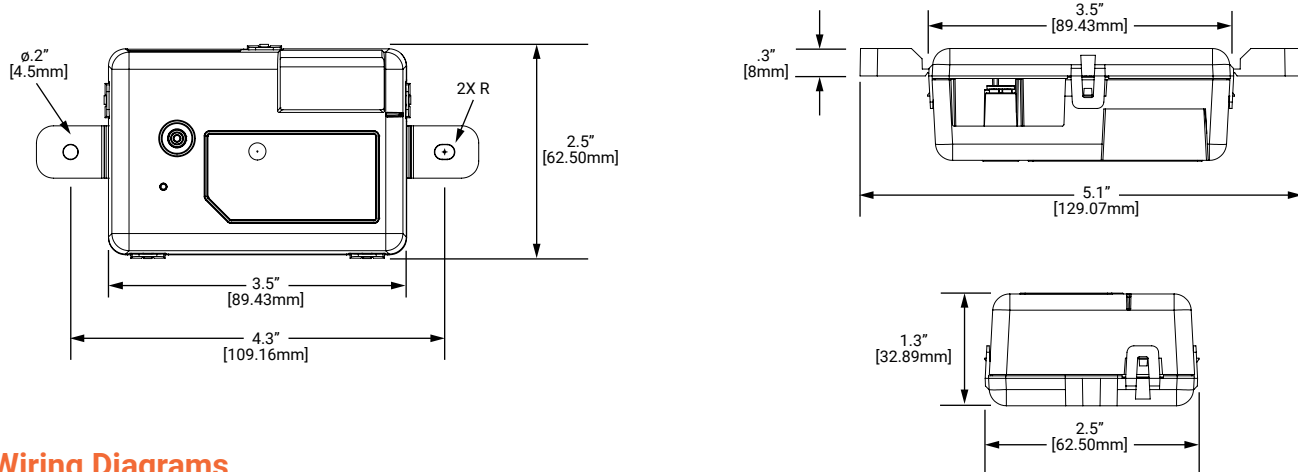
#### Warranty

Five year warranty standard

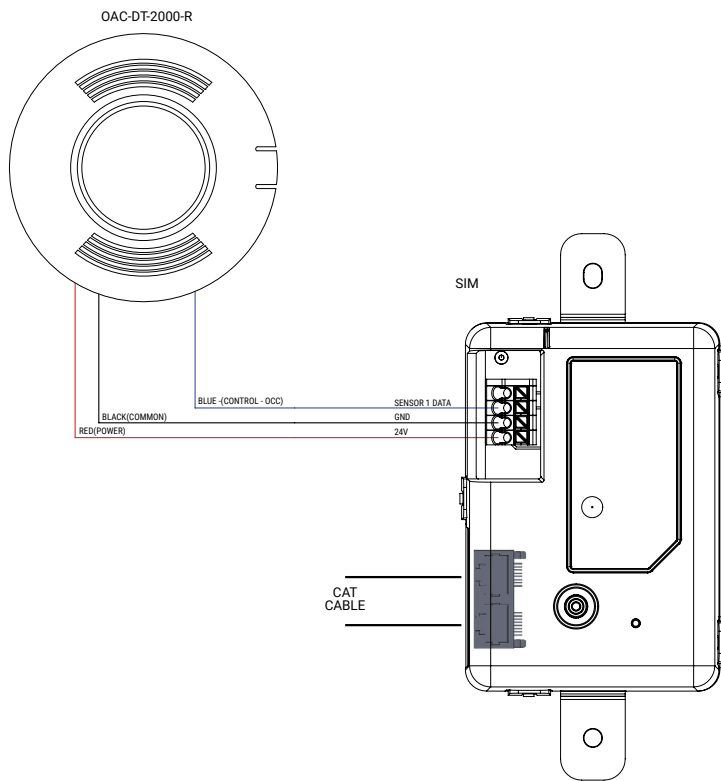


Download the WaveLinx CAT Mobile App from either the Google Play or Apple Store®

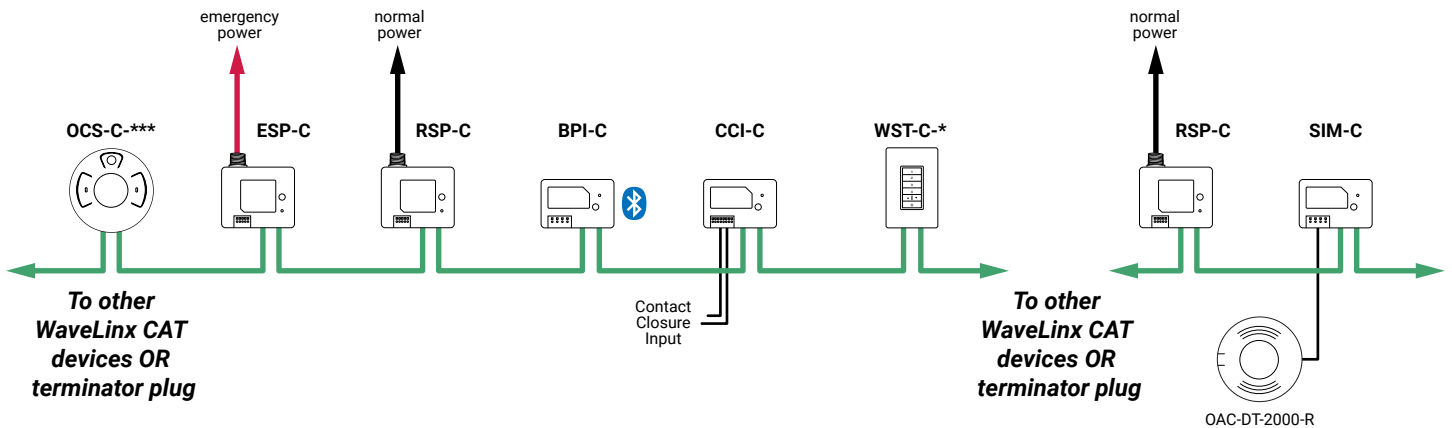
## Dimensional Details



## Wiring Diagrams



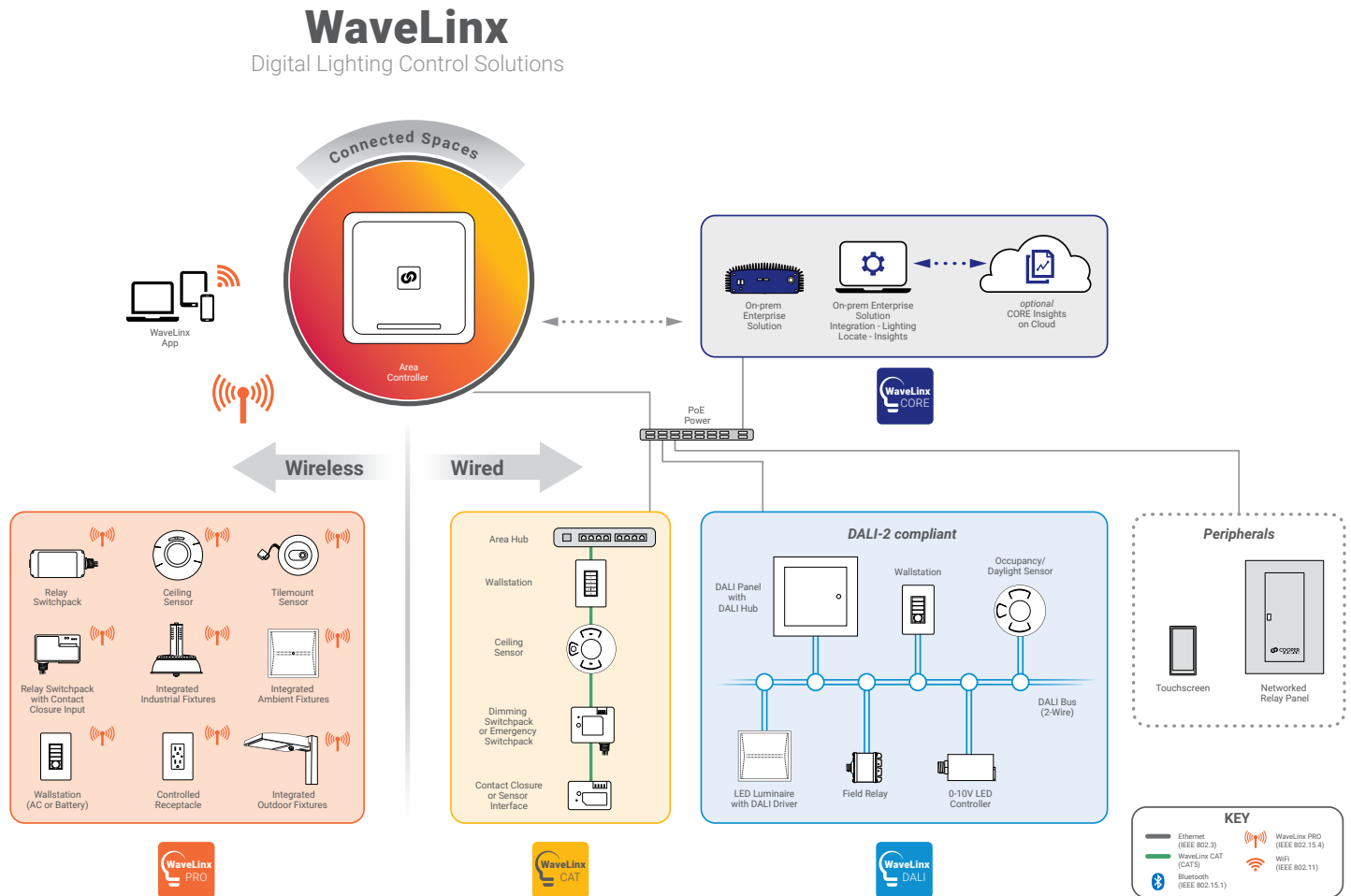
## Typical Topology



## System Diagram:

This diagram shows the main components of the WaveLinx connected lighting system with WaveLinx DALI, CAT and PRO devices. The PRO devices communicate using wireless mesh technology based on the IEEE 802.15.4 standard. A PoE LAN connection for each WaveLinx Area Controller (WAC) is required for power and data access to the building lighting network. The CAT devices communicate over the category 5 based communication bus and control the light fixtures using a relay (on/off) and 0-10V output (dim/raise). WaveLinx DALI devices communicate via a DALI bus (2 wires), which connects various components including DALI fixtures, a DALI DAC (DALI to 0-10V converter), DALI field relays, DALI wallstations, and DALI occupancy sensors. WaveLinx Area Controllers (WAC) communicate with WaveLinx CORE Apps over the Ethernet network.

[View WaveLinx Network and IT Guidance Technical Guide](#)



**Control Systems**  
• WaveLinx