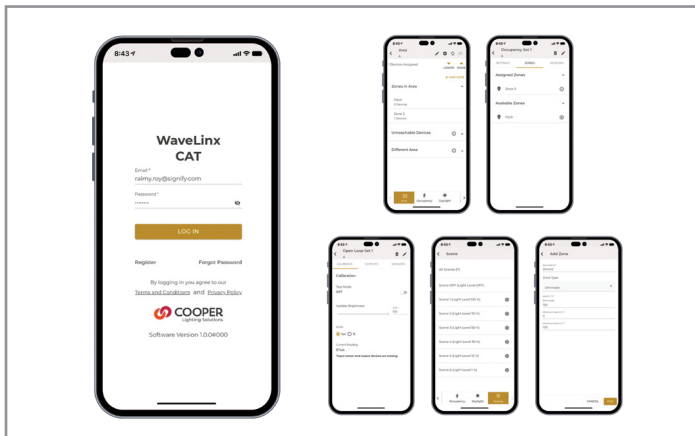


Project		Catalog #		Type	
Prepared by		Notes		Date	



## WaveLinx CAT Mobile App

Securely create, set up, and maintain lighting controls projects from mobile device

### Typical Applications

Outdoor/Indoor Parking Garage • Office

### Interactive Menu

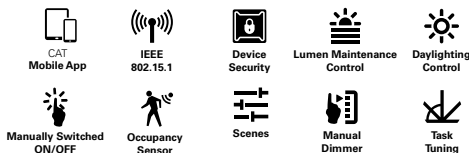
- Order Information page 2
- Additional Resources page 2
- Connected Systems page 3



- Apple® iOS® v11 and greater and supporting hardware
- Android™ version 7 and greater and supporting hardware



### Product Features



### Compatibility



## Overview

The WaveLinx CAT Mobile Application is the essential tool allowing users to customize their installations. The intuitive app allows users to select up to 40 devices for an area, place devices into any one of 16 control zones, specify up to 6 occupancy sets, and define custom lighting scenes. Automatic features like occupancy or vacancy mode, sensor sensitivity, daylight dimming calibration, etc. are also configurable through the handy app.

When the project is completed, the app also reestablishes a connection to the MyApps secure cloud portal (when available) saving critical system backup data for recall at later time if necessary.

Additionally, and most critical, the app's connection to the cloud portal offers a secure method for site access to be transferred from the installer to the project owner (must have a registered WaveLinx CAT mobile application account).

## Product Features & Benefits

- **Simple & Intuitive Interface** – Android™ or Apple® iOS® interface for basic system set up and configuration
- **Easy Updates** – Over the Air (OTA) firmware upgrade thru secured connection
- **Not part customer IT network** – No additional hardware (gateways, servers, etc.) required for connectivity to the WaveLinx CAT network

## Order Information

The WaveLinx CAT mobile app can be downloaded via the Apple Store® or Google Play and is an accessory to the WaveLinx CAT system. The app provides user-friendly programming of all lighting and devices into control zones and areas with out-of-the-box functionality.



## Product Specifications

### Key Features

- Intuitive Android™ or Apple® iOS® interface for basic system code compliant set up and configuration
- Creates a connection to the MyApps secure cloud for project initiation
- Using smart device's Bluetooth radio, scans for available devices and prioritizes by signal strength for fast connectivity
- Saves site configuration data and access permissions to MyApps secure cloud if needed later
- Capable of providing secure product updates via over the air connection
- No additional hardware (gateways, servers, etc.) or IT support required

### Wireless Specifications

- **Radio:** 2.4GHz
- **Standard:** IEEE 802.15.1 - Bluetooth® 4.2 Low Energy (BLE)
- **Range:** Android™ or Apple® iOS® mobile device to WaveLinx CAT device to device; 60ft (18m) LOS (best practice)

### Software Specifications

#### Operating System Supported:

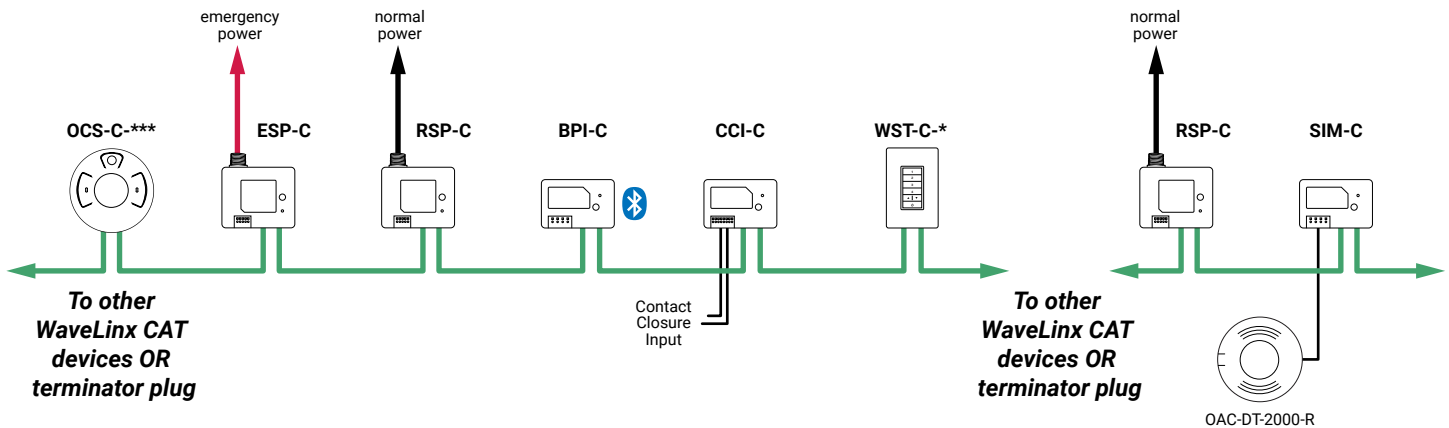
- Apple® iOS® v11 and greater and supporting hardware
- Android™ version 7 and greater and supporting hardware

**Devices Supported:** Smartphones and tablets

#### MyApps secure cloud interface:

- Project creation
- Project configuration data backup
- Project transfer to other parties

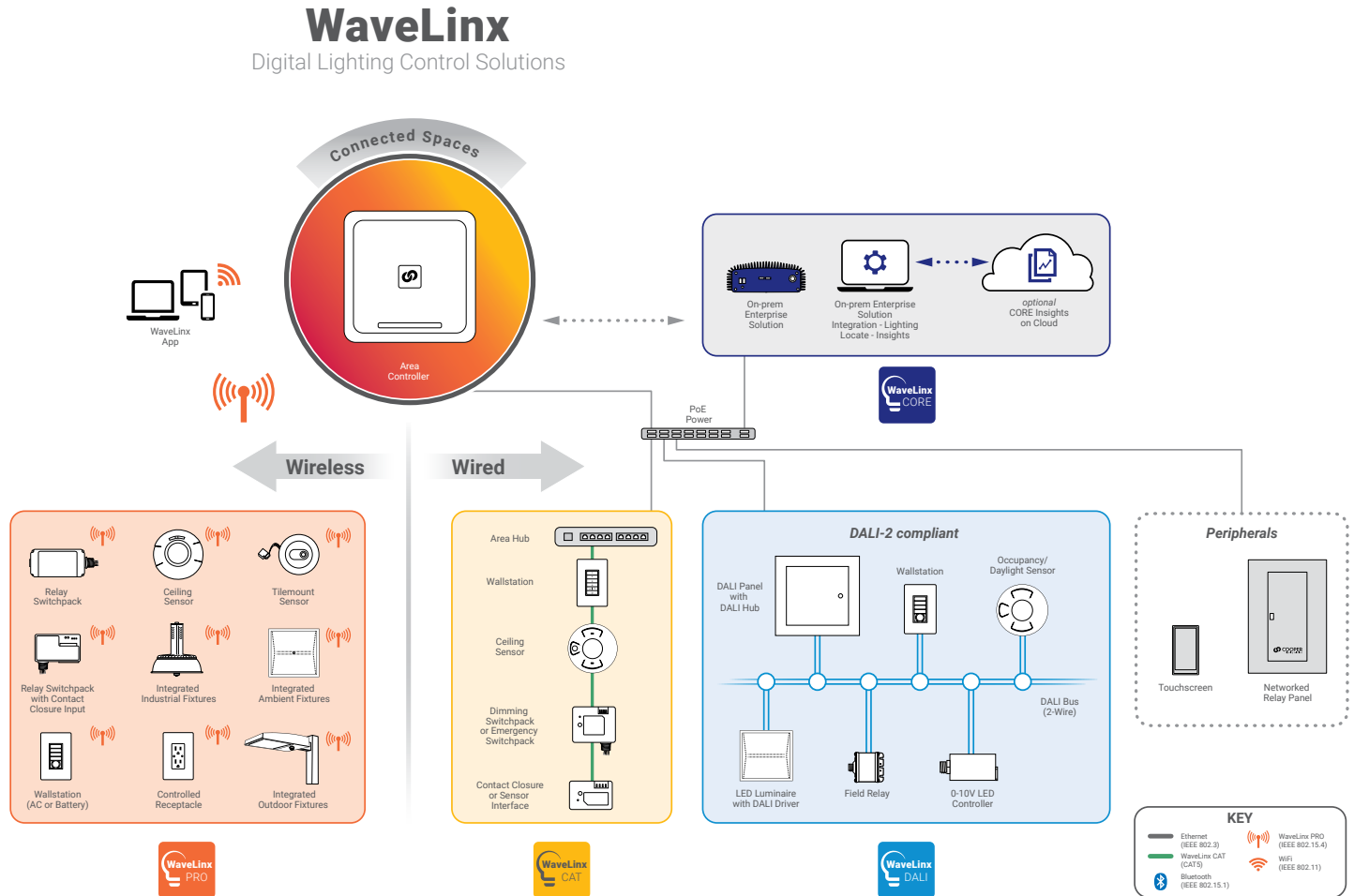
## Typical Topology



## System Diagram:

This diagram shows the main components of the WaveLinx connected lighting system with WaveLinx DALI, CAT and PRO devices. The PRO devices communicate using wireless mesh technology based on the IEEE 802.15.4 standard. A PoE LAN connection for each WaveLinx Area Controller (WAC) is required for power and data access to the building lighting network. The CAT devices communicate over the category 5 based communication bus and control the light fixtures using a relay (on/off) and 0-10V output (dim/raise). WaveLinx DALI devices communicate via a DALI bus (2 wires), which connects various components including DALI fixtures, a DALI DAC (DALI to 0-10V converter), DALI field relays, DALI wallstations, and DALI occupancy sensors. WaveLinx Area Controllers (WAC) communicate with WaveLinx CORE Apps over the Ethernet network.

[View WaveLinx PRO Network and IT Guidance Technical Guide](#)



**Control Systems**  
• WaveLinx