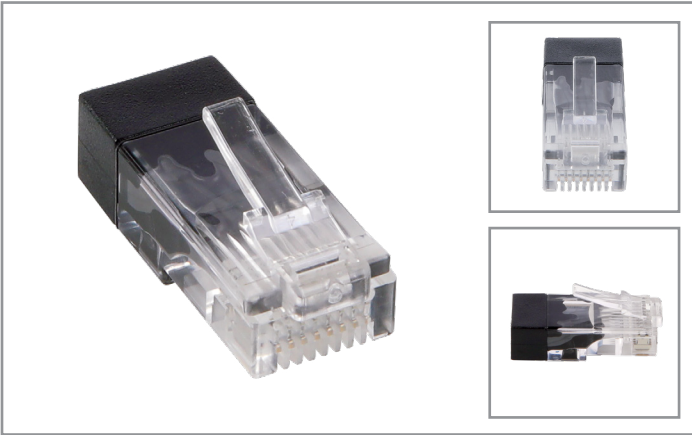


Project		Catalog #		Type	
Prepared by		Notes		Date	



# WaveLinx

## CAT Terminator Plug (ACC-C-TP)

Terminates local CAT bus network

### Typical Applications

Office • Education • Healthcare • Hospitality • Retail

**Interactive Menu**

- Order Information page 2
- Additional Resources page 2
- Connected Systems page 3
- Product Warranty



- Meets latest ASHRAE Standard 90.1 requirements
- Meets latest IECC requirements
- Meets latest CEC Title 24 requirements
- Manufactured in an ISO 9001 certified factory

### Product Features



### Compatibility



## Overview

To ensure optimal performance of the WaveLinx CAT network, the terminator plug is an essential accessory. It is necessary to terminate the local CAT bus network on both ends. One of the RJ45 connectors on the end device should have a terminator plug installed. Either one of the two RJ45 connectors can be used.

## Product Features & Benefits

- **Clean communication** – Ensures that the network communication remains free from interference and damaged signals.

product diagrams

## Order Information

## Catalog Number

Catalog Number	Description
ACC-C-TP-6PK	ACC-C Canbus Termination Plug - 6PK

## Optional Accessories

## Catalog Number

Catalog Number	Description
GGRJ45-006-G	RJ45 cables 6 inches
GGRJ45-03-G	RJ45 cables 3 feet
GGRJ45-10-G	RJ45 cables 10 feet
GGRJ45-25-G	RJ45 cables 25 feet
GGRJ45-50-G	RJ45 cables 50 feet
GGRJ45-100-G	RJ45 cables 100 feet
GGRJ45-10P-G	RJ45 cables 10 feet plenum rated
GGRJ45-25P-G	RJ45 cables 25 feet plenum rated
GGRJ45-50P-G	RJ45 cables 50 feet plenum rated
GGRJ45-100P-G	RJ45 cables 100 feet plenum rated

## Product Specifications

## Mechanical

**Size:** 0.46" W X 0.31" H X 1.12" D (11.68mm x 7.92mm x 28.14mm)

**Mounting:** RJ45 connector

**Color:** Black

## Environmental:

- **Operating temperature:** 32°F to 104°F (0°C to 40°C)
- **Operating relative humidity:** 5% to 85% non-condensing
- **Storage temperature:** -22°F to 158°F (-30°C to 70°C)
- For indoor use only

## Electrical

## Network connection:

- CAT5 Solid Copper 24AWG
- T568B pin/pair assignment is recommended for all CAT5 cable

## Standards/Ratings\*

- WaveLinx CAT is DLC Listed for interior applications - meeting the NLC5 Technical Requirements

## Environmental Regulations:

- RoHS

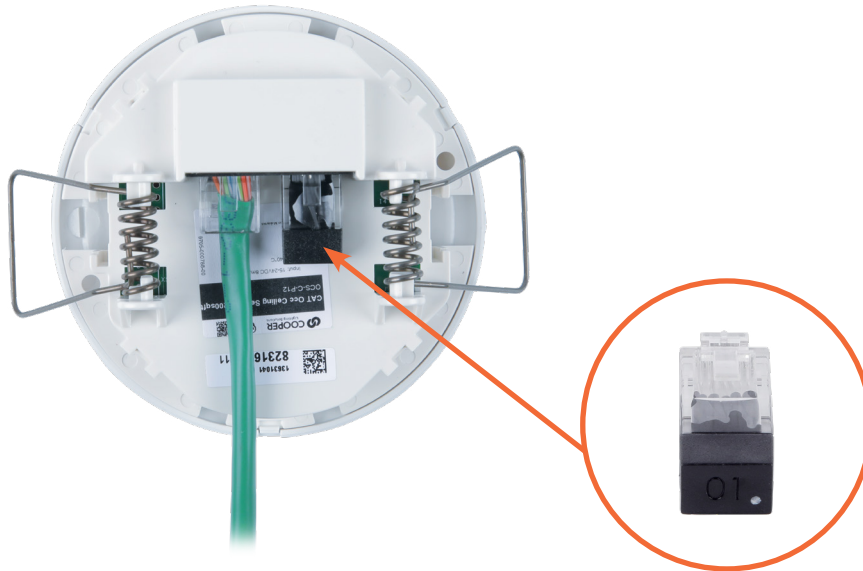
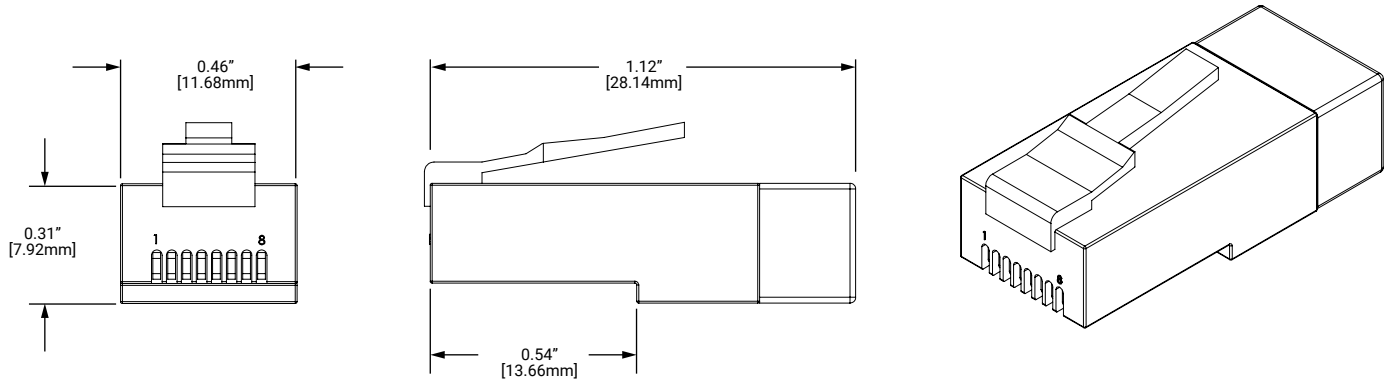
## Warranty

Five year warranty standard

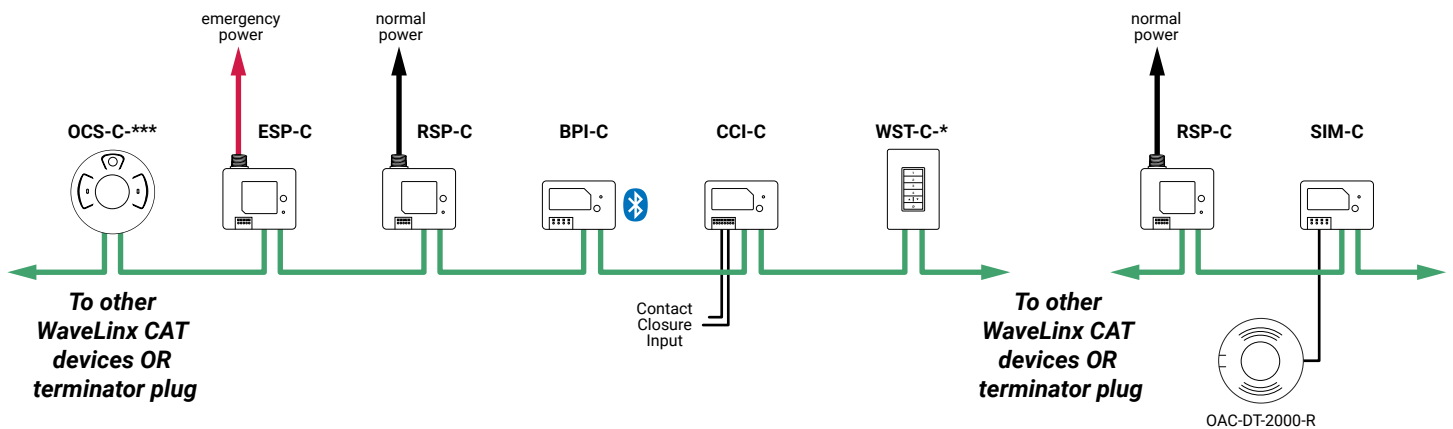


Download the WaveLinx CAT Mobile App from either the Google Play or Apple Store®

## Dimensional Details



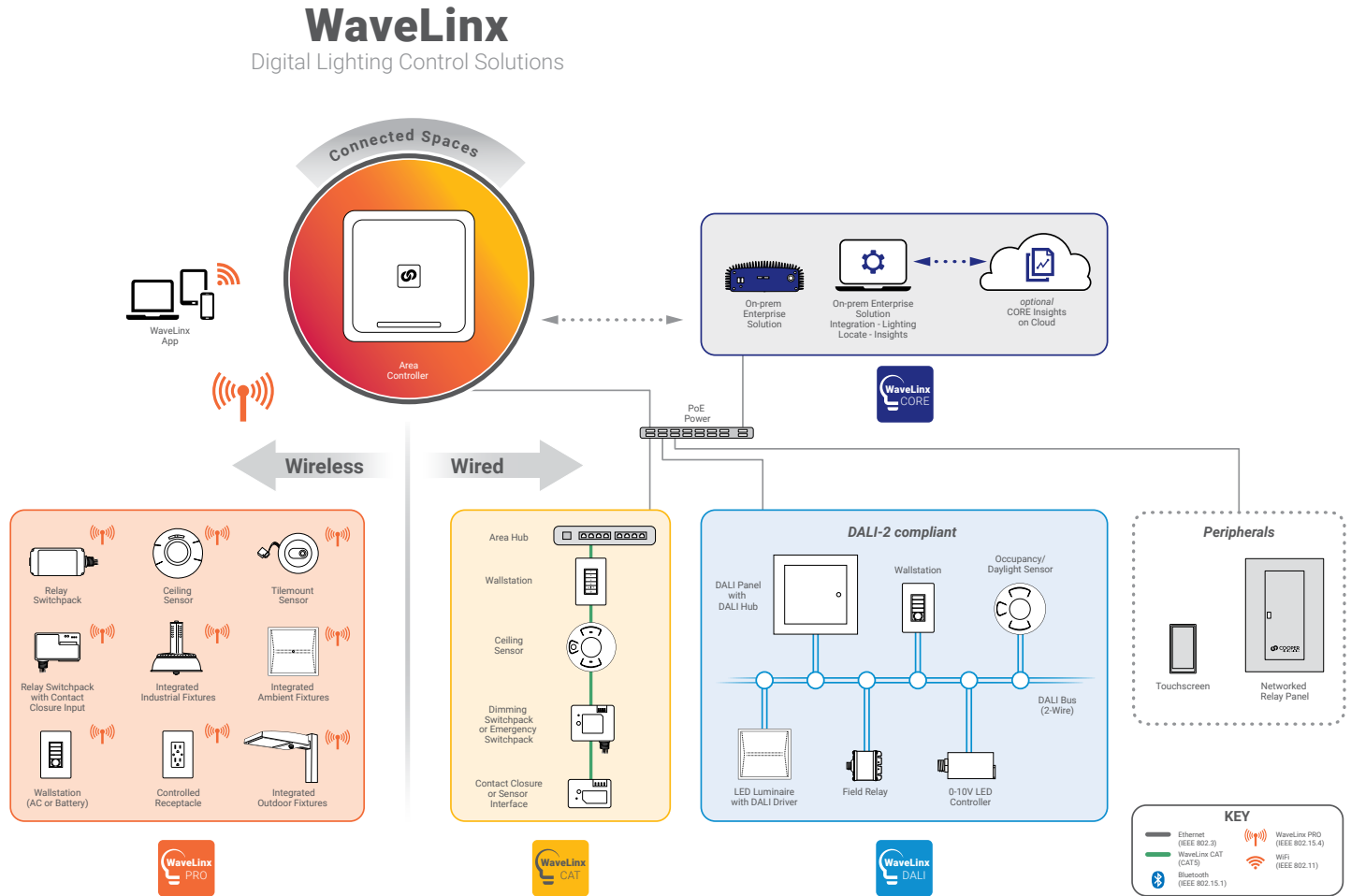
## Typical Topology



## System Diagram:

This diagram shows the main components of the WaveLinx connected lighting system with WaveLinx DALI, CAT and PRO devices. The PRO devices communicate using wireless mesh technology based on the IEEE 802.15.4 standard. A PoE LAN connection for each WaveLinx Area Controller (WAC) is required for power and data access to the building lighting network. The CAT devices communicate over the category 5 based communication bus and control the light fixtures using a relay (on/off) and 0-10V output (dim/raise). WaveLinx DALI devices communicate via a DALI bus (2 wires), which connects various components including DALI fixtures, a DALI DAC (DALI to 0-10V converter), DALI field relays, DALI wallstations, and DALI occupancy sensors. WaveLinx Area Controllers (WAC) communicate with WaveLinx CORE Apps over the Ethernet network.

[View WaveLinx PRO Network and IT Guidance Technical Guide](#)



**Control Systems**  
• WaveLinx