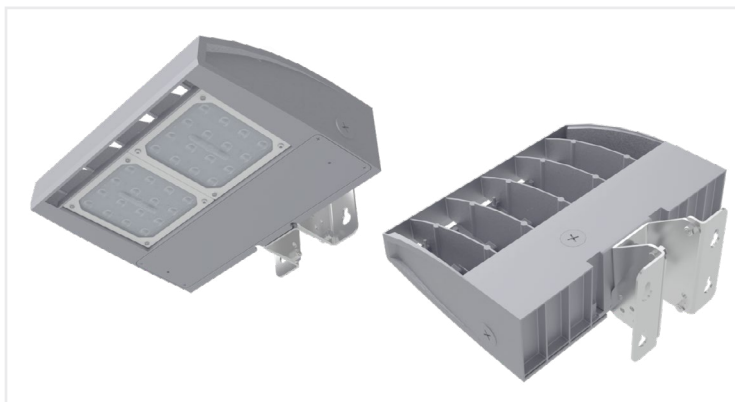


Project	Catalog #	Type
Prepared by	Notes	Date



# Streetworks

## Underpass Wall Mount

Wall Mounted Underpass and Tunnel Luminaire

### Product Certifications & Features



### Interactive Menu

- Product Specifications page 1
- Ordering Information page 2
- Optical Distributions page 3
- Energy and Performance Data page 3

## Product Specifications

### OPTICS

- Wide range of patented AccuLed optical distributions.

### ELECTRICAL

- 10kV and 20kV surge protection options in series or parallel configurations
- 12" service leads standard (coiled inside housing)
- 3/4" threaded conduit ports on top and both sides of housing
- -40 deg C to 40 deg C ambient temperature operating range. Optional 50 deg C High Ambient (HA) configurations available.

### PHYSICAL CHARACTERISTICS

- IP66 optics and enclosure
- 3G vibration rated
- Stainless steel adjustable (up to 25° tilt in 5° increments) mounting bracket standard
- Housing finished in dupe durable TGIC polyester powder coat paint, 2.5 mil nominal thickness
- Coastal Construction (CC) option
- RAL and custom color matches available

### CONTROLS

- Optional 7-pin photocell available
- Optional Field Adjustable Dimming Control (FADC) module allows for manual adjustment of lumen output and power usage; factory preset to highest output level. Enables a single SKU to cover multiple field applications
- Optional 4-pin Zhaga Book 18 receptacle for integration of onboard sensors with DALI- and D4i-enabled drivers
- Fully compatible with CLS Trellix Infrastructure UNB (Ultra Narrow Band) and cellular network lighting controls platforms. Enables wireless collection of luminaire performance and status data and asset management for luminaires installed in the field

### COMPLIANCE

- Meets ANSI C136.25 for IP66 Optical enclosure and housing rating
- Meets ANSI C136.15 for luminaire field identification label standard
- Meets ANSI C136.22 internal label standard
- Safety listing - Wet Location UL 1598
- 3,000-hours per ASTM B117, with a scribe rating of 7 per ASTM D1654 for standard color finish
- DarkSky approved for 3000K CCT and warmer, with mounting options less than 10° of tilt
- Coastal Construction (CC) option salt-spray tested to 5,000 hours per ASTM B117, achieving a scribe rating of 9 per ASTM D1654
- DLC and DLC Premium listed- visit [designlights.org](http://designlights.org) to confirm listed variations
- BAA domestic preference option meets BAA requirements
- Products that meet BABA Domestic Preference Requirements - This Cooper product is manufactured in the US and meets the BABA cost of components rule. To verify a configured product with specific accessories and options meets BABA Domestic Preference Requirements; submit this catalog number to Cooper Lighting Quotation team for validation by our Engineering and Manufacturing teams. Our BABA designation is based on the minimum compliance requirement for BABA. Individual Government Agencies may have more stringent compliance standards.

- Products that meet BABA through Exemption - Allows any product to satisfy BABA requirements regardless of domestic content manufacturing for projects funded by FHWA through Oct 1st 2025. See notes portion in Ordering Information section for more detail.
- Products that meet BABA through BAA Exemption - FHWA and FTA agencies are utilizing their BAA rules for BABA compliance. Cooper's products with a BAA designation are manufactured in the US and utilize a BAA COTS exemption rule for compliance. To verify a configured product with specific accessories and options meet BABA Domestic Preference Requirements; submit this catalog number to Cooper Lighting Quotation team for validation by our Engineering and Manufacturing teams. See notes portion in Ordering Information section for more detail.
- Please refer to the [DOMESTIC.PREFERENCES](http://DOMESTIC.PREFERENCES) website or consult the CLS Domestic Preferences team for more information. Components shipped separately may be separately analyzed under domestic preference requirements.

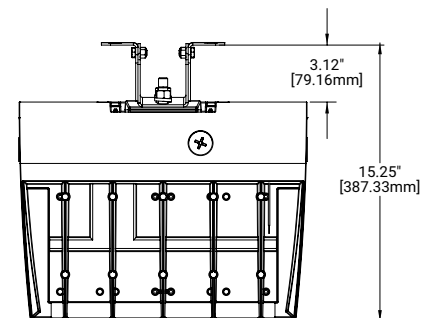
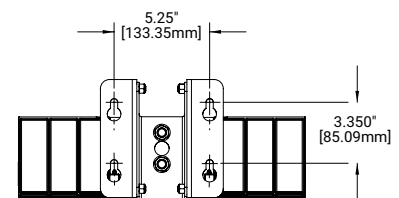
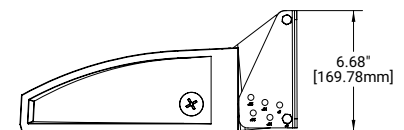
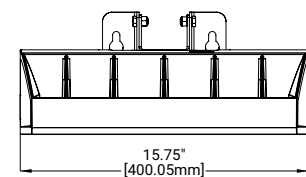
### SHIPPING DATA

- Net Weight: 21-24 lbs (9.5-10.9 kg)

### WARRANTY

- Five year limited warranty, consult website for details. [www.cooperlighting.com/legal](http://www.cooperlighting.com/legal)

## Dimensional Details



Ordering Information

SAMPLE NUMBER: **UPW-SA2-090-740-U-T4FT-WA-AP**

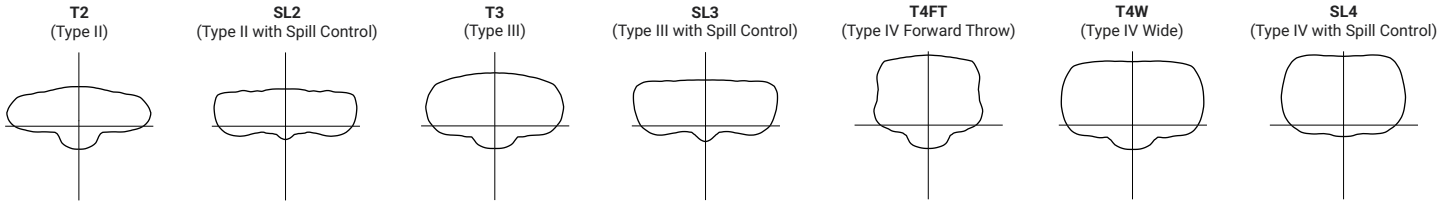
Product Family	Light Engine - Wattage	Color Temperature	Voltage	Optical Distribution	Mounting	Finish
<b>UPW</b> =Underpass Wall Mount <b>BAA-UPW</b> =Buy American Act Compliant <sup>1</sup> <b>TAA-UPW</b> =Trade Agreements Act Compliant <sup>1</sup> <b>BABA-UPW</b> =Build America Buy America Act Compliant <sup>1</sup> <b>BABAE-UPW</b> =Build America Buy America Act Compliant <sup>1</sup> <b>BABAF-UPW</b> =Build America Buy America Act Compliant <sup>1</sup>	<b>SA1-030</b> =1 16-LED Square, 30W <b>SA1-040</b> =1 16-LED Square, 40W <b>SA1-060</b> =1 16-LED Square, 60W <b>SA1-070</b> =1 16-LED Square, 70W <b>SA2-070</b> =2 16-LED Squares, 70W <b>SA2-090</b> =2 16-LED Squares, 90W <b>SA2-110</b> =2 16-LED Squares, 110W <b>SA2-130</b> =2 16-LED Squares, 130W <b>SB1-030</b> =1 26-LED Square, 30W <b>SB1-040</b> =1 26-LED Square, 40W <b>SB1-050</b> =1 26-LED Square, 50W <b>SB1-080</b> =1 26-LED Square, 80W <b>SB2-060</b> =2 26-LED Square, 60W <b>SB2-070</b> =2 26-LED Square, 70W <b>SB2-100</b> =2 26-LED Square, 100W <b>SB2-150</b> =2 26-LED Square, 150W	<b>727</b> =70 CRI, 2700K <b>730</b> =70 CRI, 3000K <b>740</b> =70 CRI, 4000K <b>750</b> =70 CRI, 5000K <b>827</b> =80 CRI, 2700K <b>830</b> =80 CRI, 3000K <b>AMB</b> =Amber <sup>2,3,22</sup>	<b>U</b> =120-277V <b>H</b> =347-480V <sup>4</sup> <b>1</b> = 120V <b>2</b> =208V <b>3</b> =240V <b>4</b> =277V <b>8</b> =480V <sup>4</sup> <b>9</b> =347V <b>DV</b> =277-480V Duravolt Drivers <sup>4,5,6</sup>	<b>T1</b> =Type I <b>T2</b> =Type II <b>T2R</b> =Type II Roadway <b>T3</b> =Type III <b>T3R</b> =Type III Roadway <b>T4FT</b> =Type IV Forward Throw <b>T4W</b> =Type IV Wide <b>5NQ</b> =Type V Narrow <b>5MQ</b> =Type V Square Medium <b>5WQ</b> =Type V Square Wide <b>SL2</b> =Type II s Spill Control <b>SL3</b> =Type III w Spill Control <b>SL4</b> =Type IV w Spill Control <b>SLL</b> =90 deg Spill Light Eliminator Left <b>SLR</b> =90 deg Spill Light Eliminator Right <b>RW</b> =Rectangular Wide Type I	<b>WA</b> =Adjustable Wall Mount <sup>23</sup>	<b>AP</b> =Grey <b>BZ</b> =Bronze <b>BK</b> =Black <b>DP</b> =Dark Platinum <b>GM</b> =Graphite Metallic <b>WH</b> =White

Options (Add as Suffix)	Controls and Systems Options (Add as Suffix)
<b>F</b> =Single Fuse (120, 277 or 347V. Must specify voltage) <b>FF</b> =Double Fuse (120, 277 or 347V. Must specify voltage) <b>TB</b> =3-position terminal block <sup>7</sup> <b>10MSP</b> =Parallel 10kV MOV Surge Protection Device <b>10K</b> =Series 10kV UL 1449 Surge Protection Device <b>20MSP</b> =Parallel 20kV MOV Surge Protection Device <b>20K</b> =Series 20kV UL 1449 Surge Protection Device <b>20KI</b> =Series 20kV UL 1449 Surge Protection Device with light indicator <b>C</b> = 12" Service Leads through rear cord grip <b>L90</b> =Optics Rotated 90 deg Left <sup>8</sup> <b>R90</b> = Optics Rotated 90 deg Right <sup>8</sup> <b>HSS</b> =Factory-installed House Side Shields (1 per square) <sup>9</sup> <b>GRSBK</b> =Factory-installed Glare Shield, Black <sup>2,12</sup> <b>GRSWH</b> =Factory-installed Glare Shield, White <sup>2,12</sup> <b>HA</b> =50 deg High Ambient Temperature rated <sup>10</sup> <b>LCF</b> =Light Square Trim Plate Painted to Match Housing <sup>11</sup> <b>MT</b> =Factory Installed Mesh Top <b>CC</b> =Coastal Construction finish <sup>13</sup> <b>DXXXXX</b> =DOT Configuration - Contact Quotes Team <b>UXXXXX</b> =Utility Configuration - Contact Quotes Team	<b>BPC</b> =Button Type Photocontrol (120, 208, 240, or 277V. Must Specify Voltage) <b>PR7</b> =NEMA 7-Pin Twistlock Photocontrol Receptacle <sup>14</sup> <b>PSC</b> =Photocontrol Shorting Cap <b>FADC</b> =Field Adjustable Dimming Controller <sup>14</sup> <b>DALI</b> =DALI Driver(s) <b>D4</b> =D4i Driver(s) <b>Z4</b> =4-pin DALI receptacle Zhaga Book 18 <sup>24</sup> <b>SPB1</b> =Dimming Occupancy Sensor with Bluetooth Interface, <8' Mounting <b>SPB2</b> =Dimming Occupancy Sensor with Bluetooth Interface, 8' - 20' Mounting <b>SPB4</b> =Dimming Occupancy Sensor with Bluetooth Interface, 21' - 40' Mounting <b>MS-LXX</b> =Motion Sensor for On/Off Operation <sup>15,16,17</sup> <b>MS/DIM-LXX</b> =Motion Sensor for Dimming Operation <sup>15,16,17</sup> <b>WPS2XX</b> =Wavelinx Pro Wireless Sensor, 7'-15' mounting height <sup>18,19,20,25</sup> <b>WPS4XX</b> =Wavelinx Pro Wireless Sensor, 15'-40' mounting height <sup>18,19,20,25</sup> <b>WLS2XX</b> =Wavelinx Lite Wireless Sensor with Bluetooth, 7'-15' mounting height <sup>19,20,25</sup> <b>WLS4XX</b> =Wavelinx Lite Wireless Sensor with Bluetooth, 15'-40' mounting height <sup>19,20,25</sup>

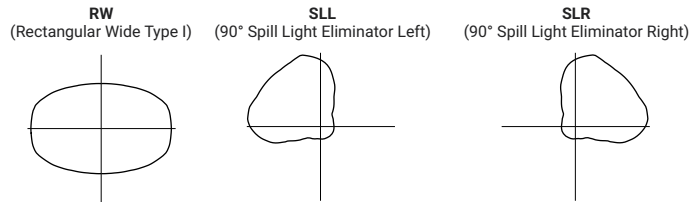
- NOTES:**
- Only product configurations with these prefixes are built to be compliant with the Buy American Act of 1933 (BAA) or the Build America Buy America Act (BABA). BABA is the minimum Government compliance requirement for the Build America Buy America standards which is part of the Infrastructure and Investment Jobs Act (IIJA). Individual Government Agencies may have more stringent compliance standards. BABA designates the product will meet the standards set for FHWA. As noted these projects must receive Government Funding by October 1, 2025. BABAF designates the product will meet the standards set for FHWA and FTA. As noted these projects must receive Government Funding by October 1, 2026. Please refer to the [DOMESTIC PREFERENCES](#) website or consult the CLS
  - Not available with HA option
  - Narrow-band 590nm +/- 5nm for wildlife and observatory use. Choose lowest wattage for selected light engine configuration, will be supplied at 500mA drive current only. Exact luminaire wattage available in IES files. Available with 5WQ, 5MQ, SL2, SL3 and SL4 distributions. Can be used with HSS option.
  - 480V not to be used with ungrounded or impedance grounded systems.
  - DuraVolt drivers feature added protection from power quality issues such as loss of neutral, transients and voltage fluctuations. Visit [www.signify.com/duravolt](http://www.signify.com/duravolt) for more information.
  - Not available in SA1-030, SA1-040, SA1-060, SA1-070, SA2-70, SB1-030, SB1-040, SB1-050, SB2-060, SB2-070. Not available with any Wavelinx (WLS, WPS) options.
  - Not available with C option (leads through cord grip)
  - L90 not available with R90. R90 not available with L90.
  - Not for use with 5NQ, 5MQ, 5WQ or RW optics. The light square trim plate is painted black when the HSS option is selected.
  - Not available with SA1-070, SA2-130, SB1-080, SB2-150.
  - Not available with HSS or GRS options
  - Not for use with T4FT, T4W or SL4 optics
  - Coastal construction finish salt spray tested to over 5,000-hours per ASTM B117, with a scribe rating of 9 per ASTM D1654.
  - When PR7 and FADC are ordered together, driver 0-10V dimming leads will be wired to FADC.
  - The FSR100 configuration tool is required to adjust parameters such as high and low modes, sensitivity, time delay and cutoff. Consult your lighting representative at Cooper Lighting Solutions for more information.
  - Replace LXX with L08 (<8' mounting), L20 (8'-20' mounting) or L40W (21'-40' mounting.)
  - Includes integral photosensor
  - WAC Gateway required to enable field-configurability: Order WAC-PoE and WPOE-120 (10V to PoE injector) power supply if needed.
  - Replace XX with sensor color (WH, BZ, or BK)
  - Controls system is not available with PR7 or other controls systems (FADC, SPBX)
  - Will only work in 277V applications. Not available with voltage options H, 1, 2, 3, 8,9,DV.
  - Not available with SB light engines.
  - Ships at 0° tilt (horizontal to road surface). For factory-set tilt angles (in 5° increments, up to 25°) contact quotes team for ETO.
  - For use only with other manufacturers' Zhaga Book 18 sensors; not available when Wavelinx Wireless Sensors (WPS, WLS) are also selected
  - Must select DALI or D4 option.

## Optical Distributions

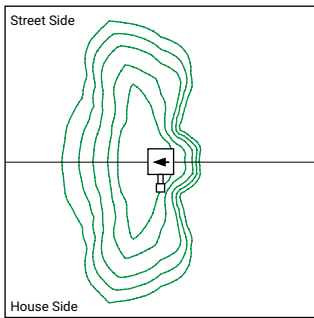
### Asymmetric Area Distributions



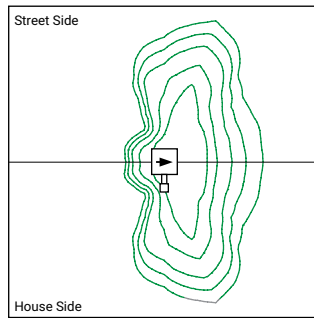
### Specialized Distributions



## Optic Orientation



Optics Rotated Left @ 90° [L90]



Optics Rotated Right @ 90° [R90]

## Energy and Performance Data

### Lumen Multiplier

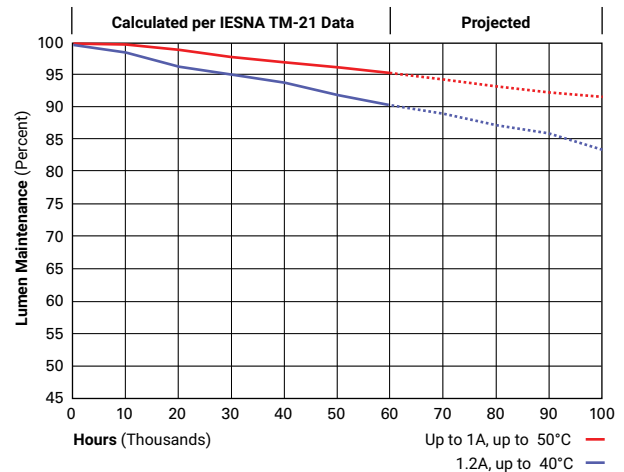
Ambient Temperature	Lumen Multiplier
0°C	1.02
10°C	1.01
25°C	1.00
40°C	0.99
50°C	0.97

### FADC Settings

FADC Position	Percent of Typical Lumen Output
1	25%
2	46%
3	55%
4	62%
5	72%
6	77%
7	82%
8	85%
9	90%
10	100%

### Lumen Maintenance

Light Engine-Wattage	Ambient Temperature	TM-21 Lumen Maintenance (60,000 Hours)	Projected L70 (Hours)
SA1-030, SA1-040, SA2-070, SA2-090, All SB configurations	Up to 50°C	> 95%	> 416,000
SA1-060, SA1-070, SA2-110, SA2-130	Up to 40°C	> 90%	> 205,000



## Energy and Performance Data

[View Underpass Wall Mount IES files](#)

LIGHT ENGINE		SA1				SA2			
NOMINAL POWER (WATTS)		30	40	60	70	70	90	110	130
ACTUAL POWER (WATTS)		34	44	59	67	66	86	113	129
70 CRI, 3000K									
OPTICS		SA1-030	SA1-040	SA1-060	SA1-070	SA2-070	SA2-090	SA2-110	SA2-130
T1	LUMENS	4,554	5,583	6,910	7,581	8,897	10,909	13,505	14,813
	LUMENS PER WATT	134	127	117	113	135	127	120	115
	BUG RATING	B2 U0 G1	B2 U0 G1	B3 U0 G1	B3 U0 G1	B3 U0 G1	B3 U0 G1	B3 U0 G2	B3 U0 G2
T2	LUMENS	4,448	5,453	6,750	7,405	8,690	10,657	13,192	14,472
	LUMENS PER WATT	131	124	114	111	132	124	117	112
	BUG RATING	B1 U0 G1	B1 U0 G2	B1 U0 G2	B1 U0 G2	B1 U0 G2	B2 U0 G2	B2 U0 G3	B2 U0 G3
T2R	LUMENS	4,723	5,791	7,168	7,860	9,227	11,315	14,005	15,363
	LUMENS PER WATT	139	132	121	117	140	132	124	119
	BUG RATING	B1 U0 G1	B1 U0 G1	B1 U0 G1	B1 U0 G2	B1 U0 G2	B2 U0 G2	B2 U0 G2	B2 U0 G2
T3	LUMENS	4,533	5,560	6,881	7,548	8,859	10,864	13,446	14,749
	LUMENS PER WATT	133	126	117	113	134	126	119	114
	BUG RATING	B1 U0 G1	B1 U0 G2	B1 U0 G2	B1 U0 G2	B2 U0 G2	B2 U0 G2	B2 U0 G2	B2 U0 G2
T3R	LUMENS	4,633	5,682	7,033	7,715	9,056	11,105	13,746	15,077
	LUMENS PER WATT	136	129	119	115	137	129	122	117
	BUG RATING	B1 U0 G1	B1 U0 G2	B1 U0 G2	B1 U0 G2	B1 U0 G2	B2 U0 G2	B2 U0 G3	B2 U0 G3
T4FT	LUMENS	4,559	5,592	6,920	7,593	8,910	10,927	13,523	14,835
	LUMENS PER WATT	134	127	117	113	135	127	120	115
	BUG RATING	B1 U0 G2	B1 U0 G2	B1 U0 G2	B1 U0 G3	B2 U0 G3	B2 U0 G3	B2 U0 G3	B2 U0 G3
T4W	LUMENS	4,501	5,519	6,831	7,494	8,794	10,785	13,349	14,644
	LUMENS PER WATT	132	125	116	112	133	125	118	114
	BUG RATING	B1 U0 G1	B1 U0 G2	B1 U0 G2	B1 U0 G2	B2 U0 G2	B2 U0 G2	B2 U0 G3	B2 U0 G3
5NQ	LUMENS	4,676	5,733	7,097	7,784	9,137	11,203	13,866	15,211
	LUMENS PER WATT	138	130	120	116	138	130	123	118
	BUG RATING	B2 U0 G1	B2 U0 G1	B3 U0 G1	B3 U0 G1	B3 U0 G1	B3 U0 G1	B3 U0 G2	B3 U0 G2
5MQ	LUMENS	4,762	5,839	7,226	7,927	9,305	11,410	14,123	15,491
	LUMENS PER WATT	140	133	122	118	141	133	125	120
	BUG RATING	B3 U0 G1	B3 U0 G1	B3 U0 G1	B3 U0 G2	B3 U0 G2	B4 U0 G2	B4 U0 G2	B4 U0 G2
5WQ	LUMENS	4,775	5,854	7,245	7,949	9,329	11,439	14,161	15,532
	LUMENS PER WATT	140	133	123	119	141	133	125	120
	BUG RATING	B3 U0 G1	B3 U0 G1	B3 U0 G2	B3 U0 G2	B4 U0 G2	B4 U0 G2	B4 U0 G2	B4 U0 G2
SL2	LUMENS	4,348	5,331	6,597	7,238	8,495	10,416	12,895	14,143
	LUMENS PER WATT	128	121	112	108	129	121	114	110
	BUG RATING	B1 U0 G1	B1 U0 G1	B1 U0 G2	B1 U0 G2	B1 U0 G2	B1 U0 G2	B2 U0 G2	B2 U0 G2
SL3	LUMENS	4,302	5,274	6,527	7,161	8,404	10,305	12,757	13,993
	LUMENS PER WATT	127	120	111	107	127	120	113	108
	BUG RATING	B1 U0 G2	B1 U0 G2	B1 U0 G2	B1 U0 G2	B1 U0 G2	B1 U0 G3	B2 U0 G3	B2 U0 G3
SL4	LUMENS	4,424	5,424	6,712	7,365	8,643	10,598	13,120	14,390
	LUMENS PER WATT	130	123	114	110	131	123	116	112
	BUG RATING	B1 U0 G1	B1 U0 G2	B1 U0 G2	B1 U0 G2	B2 U0 G2	B2 U0 G2	B2 U0 G3	B2 U0 G3
SLL/SLR	LUMENS	4,354	5,338	6,606.00	7,248.01	8,506.00	10,430.00	12,912.00	14,163.00
	LUMENS PER WATT	128	121	112	108	129	121	114	110
	BUG RATING	B1 U0 G2	B1 U0 G2	B1 U0 G2	B1 U0 G2	B2 U0 G3	B2 U0 G3	B2 U0 G3	B2 U0 G3
RW	LUMENS	4,633	5,681	7,032	7,715	9,054	11,102	13,741	15,075
	LUMENS PER WATT	136	129	119	115	137	129	122	117
	BUG RATING	B2 U0 G1	B3 U0 G1	B3 U0 G1	B3 U0 G1	B3 U0 G1	B3 U0 G2	B3 U0 G2	B4 U0 G2

## Energy and Performance Data

 [View Underpass Wall Mount IES files](#)

LIGHT ENGINE		SB1				SB2			
NOMINAL POWER (WATTS)		30	40	50	80	60	70	100	150
ACTUAL POWER (WATTS)		31	40	54	80	57	74	101	148
70 CRI, 3000K									
OPTICS		SB1-030	SB1-040	SB1-050	SB1-080	SB2-060	SB2-070	SB2-100	SB2-150
T1	LUMENS	4,461	5,600	7,448	10,120	8,872	11,138	14,813	20,128
	LUMENS PER WATT	144	141	137	127	155	151	147	136
	BUG RATING	B2 U0 G1	B3 U0 G1	B3 U0 G1	B3 U0 G2	B3 U0 G1	B3 U0 G2	B4 U0 G2	B4 U0 G2
T2	LUMENS	4468	5609	7460	10136	8887	11156	14837	20160
	LUMENS PER WATT	145	141	137	127	155	151	147	137
	BUG RATING	B1 U0 G1	B1 U0 G1	B2 U0 G2	B2 U0 G2	B2 U0 G2	B2 U0 G2	B3 U0 G3	B3 U0 G3
T2R	LUMENS	4,593	5,766	7,669	10,420	9,135	11,468	15,252	20,724
	LUMENS PER WATT	149	145	141	131	159	155	151	140
	BUG RATING	B1 U0 G1	B1 U0 G1	B1 U0 G2	B2 U0 G2	B1 U0 G2	B2 U0 G2	B2 U0 G2	B3 U0 G3
T3	LUMENS	4512	5665	7534	10237	8975	11267	14984	20360
	LUMENS PER WATT	146	142	138	129	157	152	149	138
	BUG RATING	B1 U0 G1	B1 U0 G1	B1 U0 G2	B2 U0 G2	B2 U0 G2	B2 U0 G2	B2 U0 G2	B3 U0 G3
T3R	LUMENS	4,630	5,812	7,729	10,502	9,207	11,559	15,372	20,888
	LUMENS PER WATT	150	146	142	132	161	156	152	142
	BUG RATING	B1 U0 G1	B1 U0 G2	B1 U0 G2	B2 U0 G2	B2 U0 G2	B2 U0 G2	B2 U0 G2	B3 U0 G3
T4FT	LUMENS	4457	5595	7441	10111	8864	11128	14800	20110
	LUMENS PER WATT	144	141	137	127	155	151	147	136
	BUG RATING	B1 U0 G1	B1 U0 G2	B1 U0 G2	B2 U0 G2	B2 U0 G2	B2 U0 G3	B2 U0 G3	B3 U0 G4
T4W	LUMENS	4,500	5,650	7,514	10,211	8,951	11,237	14,945	20,307
	LUMENS PER WATT	146	142	138	128	156	152	148	138
	BUG RATING	B1 U0 G2	B1 U0 G2	B1 U0 G2	B2 U0 G2	B2 U0 G2	B2 U0 G2	B2 U0 G3	B3 U0 G4
5NQ	LUMENS	4726	5933	7889	10720	9398	11798	15691	21321
	LUMENS PER WATT	153	149	145	135	164	160	156	144
	BUG RATING	B2 U0 G1	B2 U0 G1	B3 U0 G1	B3 U0 G1	B3 U0 G1	B3 U0 G1	B3 U0 G2	B4 U0 G2
5MQ	LUMENS	4,722	5,928	7,885	10,713	9,393	11,791	15,682	21,308
	LUMENS PER WATT	153	149	145	135	164	160	155	144
	BUG RATING	B3 U0 G1	B3 U0 G1	B3 U0 G2	B4 U0 G2	B3 U0 G2	B4 U0 G2	B4 U0 G2	B5 U0 G3
5WQ	LUMENS	4562	5726	7616	10348	9072	11389	15146	20580
	LUMENS PER WATT	148	144	140	130	158	154	150	139
	BUG RATING	B3 U0 G1	B3 U0 G1	B3 U0 G2	B4 U0 G2	B3 U0 G2	B4 U0 G2	B4 U0 G2	B5 U0 G3
SL2	LUMENS	4,482	5,627	7,483	10,169	8,914	11,191	14,883	20,223
	LUMENS PER WATT	145	141	138	128	156	151	148	137
	BUG RATING	B1 U0 G1	B1 U0 G1	B2 U0 G2	B2 U0 G2	B2 U0 G2	B2 U0 G2	B3 U0 G3	B3 U0 G3
SL3	LUMENS	4408	5533	7359	9999	8765	11004	14634	19885
	LUMENS PER WATT	143	139	135	126	153	149	145	135
	BUG RATING	B1 U0 G2	B1 U0 G2	B1 U0 G2	B1 U0 G3	B1 U0 G3	B2 U0 G3	B2 U0 G3	B2 U0 G4
SL4	LUMENS	4,470	5,612	7,463	10,140	8,890	11,161	14,843	20,169
	LUMENS PER WATT	145	141	137	127	155	151	147	137
	BUG RATING	B1 U0 G2	B1 U0 G2	B2 U0 G2	B2 U0 G3	B2 U0 G3	B2 U0 G3	B3 U0 G3	B3 U0 G4
SLL/SLR	LUMENS	4493	5641	7502	10194	8937	11219	14920	20273
	LUMENS PER WATT	145	142	138	128	156	152	148	137
	BUG RATING	B1 U0 G2	B1 U0 G2	B2 U0 G3	B2 U0 G3	B2 U0 G3	B2 U0 G3	B3 U0 G4	B3 U0 G4
RW	LUMENS	4,644	5,829	7,753	10,534	9,236	11,594	15,419	20,952
	LUMENS PER WATT	150	146	143	132	161	157	153	142
	BUG RATING	B2 U0 G1	B3 U0 G1	B3 U0 G1	B3 U0 G2	B3 U0 G1	B3 U0 G2	B4 U0 G2	B4 U0 G2

## Energy and Performance Data

 [View Underpass Wall Mount IES files](#)

LIGHT ENGINE		SA1				SA2			
NOMINAL POWER (WATTS)		30	40	60	70	70	90	110	130
ACTUAL POWER (WATTS)		34	44	59	67	66	86	113	129
70 CRI, 4000K									
OPTICS		SA1-030	SA1-040	SA1-060	SA1-070	SA2-070	SA2-090	SA2-110	SA2-130
T1	LUMENS	4,999	6,130	7,588	8,324	9,770	11,981	14,828	16,266
	LUMENS PER WATT	147	139	129	124	148	139	131	126
	BUG RATING	B2 U0 G1	B3 U0 G1	B3 U0 G1	B3 U0 G1	B3 U0 G1	B3 U0 G2	B3 U0 G2	B4 U0 G2
T2	LUMENS	4,883	5,989	7412	8131	9543	11703	14485	15891
	LUMENS PER WATT	144	136	126	121	145	136	128	123
	BUG RATING	B1 U0 G1	B1 U0 G2	B1 U0 G2	B1 U0 G2	B2 U0 G2	B2 U0 G2	B2 U0 G3	B2 U0 G3
T2R	LUMENS	5,185	6,359	7,870	8,632	10,133	12,425	15,379	16,870
	LUMENS PER WATT	153	145	133	129	154	144	136	131
	BUG RATING	B1 U0 G1	B1 U0 G1	B1 U0 G2	B1 U0 G2	B1 U0 G2	B2 U0 G2	B2 U0 G2	B2 U0 G2
T3	LUMENS	4,978	6,105	7556	8288	9729	11929	14764	16196
	LUMENS PER WATT	146	139	128	124	147	139	131	126
	BUG RATING	B1 U0 G1	B1 U0 G2	B1 U0 G2	B1 U0 G2	B2 U0 G2	B2 U0 G2	B2 U0 G2	B2 U0 G3
T3R	LUMENS	5,088	6,240	7,722	8,473	9,945	12,195	15,094	16,556
	LUMENS PER WATT	150	142	131	126	151	142	134	128
	BUG RATING	B1 U0 G2	B1 U0 G2	B1 U0 G2	B1 U0 G2	B2 U0 G2	B2 U0 G2	B2 U0 G3	B2 U0 G3
T4FT	LUMENS	5,008	6,140	7599	8337	9783	11998	14850	16290
	LUMENS PER WATT	147	140	129	124	148	140	131	126
	BUG RATING	B1 U0 G2	B1 U0 G2	B1 U0 G3	B1 U0 G3	B2 U0 G3	B2 U0 G3	B2 U0 G3	B2 U0 G3
T4W	LUMENS	4,942	6,060	7,502	8,229	9,658	11,843	14,658	16,080
	LUMENS PER WATT	145	138	127	123	146	138	130	125
	BUG RATING	B1 U0 G2	B1 U0 G2	B1 U0 G2	B2 U0 G2	B2 U0 G2	B2 U0 G2	B2 U0 G3	B3 U0 G3
5NQ	LUMENS	5,134	6,296	7793	8547	10033	12303	15226	16704
	LUMENS PER WATT	151	143	132	128	152	143	135	129
	BUG RATING	B2 U0 G1	B2 U0 G1	B3 U0 G1	B3 U0 G1	B3 U0 G1	B3 U0 G1	B3 U0 G2	B3 U0 G2
5MQ	LUMENS	5,228	6,412	7,935	8,705	10,216	12,529	15,508	17,011
	LUMENS PER WATT	154	146	134	130	155	146	137	132
	BUG RATING	B3 U0 G1	B3 U0 G1	B3 U0 G2	B3 U0 G2	B3 U0 G2	B4 U0 G2	B4 U0 G2	B4 U0 G2
5WQ	LUMENS	5,242	6,428	7956	8728	10244	12563	15548	17056
	LUMENS PER WATT	154	146	135	130	155	146	138	132
	BUG RATING	B3 U0 G1	B3 U0 G2	B3 U0 G2	B3 U0 G2	B4 U0 G2	B4 U0 G2	B4 U0 G2	B4 U0 G2
SL2	LUMENS	4,773	5,853	7,245	7,948	9,328	11,440	14,158	15,531
	LUMENS PER WATT	140	133	123	119	141	133	125	120
	BUG RATING	B1 U0 G1	B1 U0 G1	B1 U0 G2	B1 U0 G2	B1 U0 G2	B2 U0 G2	B2 U0 G2	B2 U0 G3
SL3	LUMENS	4,722	5,791	7167	7863	9229	11318	14007	15366
	LUMENS PER WATT	139	132	121	117	140	132	124	119
	BUG RATING	B1 U0 G2	B1 U0 G2	B1 U0 G2	B1 U0 G2	B1 U0 G3	B2 U0 G3	B2 U0 G3	B2 U0 G3
SL4	LUMENS	4,857	5,955	7,371	8,086	9,491	11,640	14,405	15,802
	LUMENS PER WATT	143	135	125	121	144	135	127	122
	BUG RATING	B1 U0 G2	B1 U0 G2	B1 U0 G2	B2 U0 G2	B2 U0 G2	B2 U0 G3	B2 U0 G3	B3 U0 G3
SLL/ SLR	LUMENS	4,780	5,861	7255	7958	9341	11455	14177	15552
	LUMENS PER WATT	141	133	123	119	142	133	125	121
	BUG RATING	B1 U0 G2	B1 U0 G2	B1 U0 G2	B2 U0 G3	B2 U0 G3	B2 U0 G3	B2 U0 G3	B3 U0 G3
RW	LUMENS	5,087	6,238	7,721	8,472	9,941	12,190	15,088	16,553
	LUMENS PER WATT	150	142	131	126	151	142	134	128
	BUG RATING	B2 U0 G1	B3 U0 G1	B3 U0 G1	B3 U0 G1	B3 U0 G1	B3 U0 G2	B4 U0 G2	B4 U0 G2

## Energy and Performance Data

 [View Underpass Wall Mount IES files](#)

LIGHT ENGINE		SB1				SB2			
NOMINAL POWER (WATTS)		30	40	50	80	60	70	100	150
ACTUAL POWER (WATTS)		31	40	54	80	57	74	101	148
70 CRI, 4000K									
OPTICS		SB1-030	SB1-040	SB1-050	SB1-080	SB2-060	SB2-070	SB2-100	SB2-150
T1	LUMENS	4,719	5,924	7,880	10,707	9,387	11,784	15,672	21,295
	LUMENS PER WATT	153	149	145	135	164	159	155	144
	BUG RATING	B2 U0 G1	B3 U0 G1	B3 U0 G1	B3 U0 G2	B3 U0 G1	B3 U0 G2	B4 U0 G2	B4 U0 G2
T2	LUMENS	4728	5935	7892	10724	9402	11803	15697	21329
	LUMENS PER WATT	153	149	145	135	164	160	156	145
	BUG RATING	B1 U0 G1	B1 U0 G1	B2 U0 G2	B2 U0 G2	B2 U0 G2	B2 U0 G2	B3 U0 G3	B3 U0 G3
T2R	LUMENS	4,859	6,100	8,113	11,024	9,665	12,133	16,136	21,925
	LUMENS PER WATT	157	153	149	138	169	164	160	149
	BUG RATING	B1 U0 G1	B1 U0 G1	B1 U0 G2	B2 U0 G2	B2 U0 G2	B2 U0 G2	B2 U0 G2	B3 U0 G3
T3	LUMENS	4775	5993	7971	10831	9495	11920	15853	21541
	LUMENS PER WATT	155	151	147	136	166	161	157	146
	BUG RATING	B1 U0 G1	B1 U0 G1	B2 U0 G2	B2 U0 G2	B2 U0 G2	B2 U0 G2	B2 U0 G2	B3 U0 G3
T3R	LUMENS	4,898	6,149	8,178	11,111	9,741	12,229	16,264	22,099
	LUMENS PER WATT	159	154	150	140	170	165	161	150
	BUG RATING	B1 U0 G1	B1 U0 G2	B1 U0 G2	B2 U0 G2	B2 U0 G2	B2 U0 G2	B2 U0 G3	B3 U0 G3
T4FT	LUMENS	4715	5919	7873	10697	9378	11773	15658	21276
	LUMENS PER WATT	153	149	145	134	164	159	155	144
	BUG RATING	B1 U0 G2	B1 U0 G2	B1 U0 G2	B2 U0 G3	B2 U0 G2	B2 U0 G3	B2 U0 G3	B3 U0 G4
T4W	LUMENS	4,762	5,978	7,950	10,802	9,470	11,889	15,811	21,484
	LUMENS PER WATT	154	150	146	136	165	161	157	146
	BUG RATING	B1 U0 G2	B1 U0 G2	B2 U0 G2	B2 U0 G2	B2 U0 G2	B2 U0 G3	B3 U0 G3	B3 U0 G4
5NQ	LUMENS	5000	6276	8347	11341	9943	12482	16601	22556
	LUMENS PER WATT	162	158	153	142	174	169	165	153
	BUG RATING	B2 U0 G1	B2 U0 G1	B3 U0 G1	B3 U0 G1	B3 U0 G1	B3 U0 G2	B3 U0 G2	B4 U0 G2
5MQ	LUMENS	4,997	6,272	8,342	11,334	9,937	12,475	16,591	22,542
	LUMENS PER WATT	162	158	153	142	173	169	164	153
	BUG RATING	B3 U0 G1	B3 U0 G1	B3 U0 G2	B4 U0 G2	B3 U0 G2	B4 U0 G2	B4 U0 G2	B5 U0 G3
5WQ	LUMENS	4826	6058	8057	10947	9598	12049	16024	21774
	LUMENS PER WATT	156	152	148	138	168	163	159	148
	BUG RATING	B3 U0 G1	B3 U0 G1	B3 U0 G2	B4 U0 G2	B4 U0 G2	B4 U0 G2	B4 U0 G2	B5 U0 G3
SL2	LUMENS	4,743	5,953	7,917	10,758	9,431	11,840	15,746	21,396
	LUMENS PER WATT	153	150	146	135	165	160	156	145
	BUG RATING	B1 U0 G1	B1 U0 G1	B2 U0 G2	B2 U0 G2	B2 U0 G2	B2 U0 G2	B3 U0 G3	B3 U0 G3
SL3	LUMENS	4663	5853	7785	10578	9274	11642	15483	21038
	LUMENS PER WATT	151	147	143	133	162	158	153	143
	BUG RATING	B1 U0 G2	B1 U0 G2	B1 U0 G2	B2 U0 G3	B1 U0 G3	B2 U0 G3	B2 U0 G3	B3 U0 G4
SL4	LUMENS	4,730	5,937	7,896	10,728	9,406	11,808	15,704	21,338
	LUMENS PER WATT	153	149	145	135	164	160	156	145
	BUG RATING	B1 U0 G2	B1 U0 G2	B2 U0 G2	B2 U0 G3	B2 U0 G3	B2 U0 G3	B3 U0 G3	B3 U0 G4
SLL/ SLR	LUMENS	4754	5968	7936	10785	9455	11869	15785	21449
	LUMENS PER WATT	154	150	146	135	165	161	156	145
	BUG RATING	B1 U0 G2	B1 U0 G2	B2 U0 G3	B2 U0 G3	B2 U0 G3	B2 U0 G3	B3 U0 G4	B3 U0 G4
RW	LUMENS	4,913	6,168	8,203	11,145	9,771	12,266	16,314	22,167
	LUMENS PER WATT	159	155	151	140	171	166	162	150
	BUG RATING	B2 U0 G1	B3 U0 G1	B3 U0 G1	B3 U0 G2	B3 U0 G1	B3 U0 G2	B4 U0 G2	B4 U0 G2