

Project		Catalog #		Type	
Prepared by		Notes		Date	



Portfolio

LER6C/LESQ6C/LSRYM6C/ LSSQYM6C Cylinders

6" Round and Square Cylinder
Surface, Ceiling, Wall, Up/Down, Yoke,
and Stem Mount

Typical Applications

Office • Education • Healthcare • Hospitality • Retail • Residential

Interactive Menu

- Order Information [page 2](#)
- Product Specification [page 4](#)
- Energy Data [page 5](#)
- Photometric Data [page 6](#)
- Connected Systems [page 12](#)
- Product Warranty

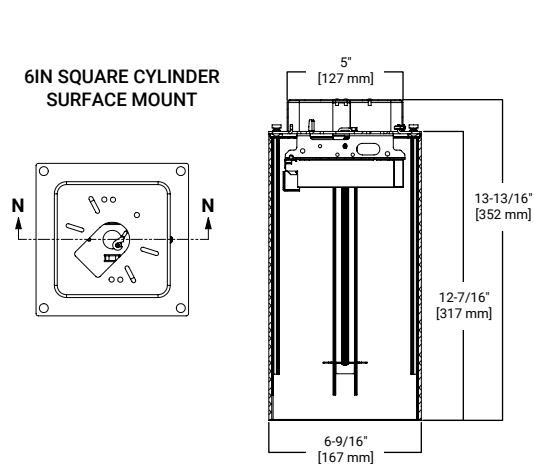
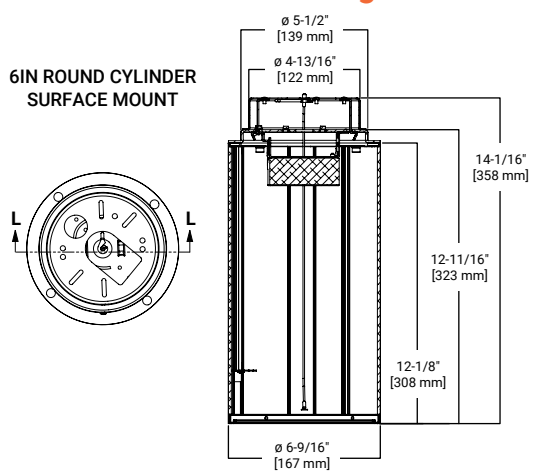


Top Product Features

- 250 to 6,000 lumens; Offered in 90 and 97 CRI; Downlight
- Round or square surface-mount cylinders; Ceiling, wall, stem, up/down, yoke mount adjustable, LuxWire power over cable
- Extruded aluminum housing; Matte Black, White, Bronze and Silver paint finishes
- 6 color temperatures: 2400K, 2700K, 3000K, 3500K, 4000K and 5000K CCT
- Downlight or 30° adjustable reflector
- Options to meet Trade Agreements Act requirements

Dimensional and Mounting Details

additional product diagrams



*T24 and RoHS are self-tested by Cooper Lighting Solutions. Not a third party certification.

Order Information

SAMPLE ORDER NUMBER: **LER6C10D010TRP**

Domestic Preferences ⁽³⁰⁾	Cylinder	Lumens	Driver	Remote ⁽⁸⁾	Finish ⁽¹⁰⁾	Factory Installed Connected Lighting Options ⁽³¹⁾
[Blank] =Standard TAA = Trade Agreements Act BAA =Buy American Act	<p>Ceiling surface mount (Use with pendant kit for stem mounting.) LER6C=6-inch round surface mount LESQ6C= 6-inch square surface mount square aperture ⁽¹⁾ LESQR6C= 6-inch square surface mount round aperture ⁽²⁾</p> <p>Ceiling surface mount Square with conduit canopy integrated (No separate accessory needed, for round use Conduit Canopy Kit accessory.) LESQSM6C= 6-inch square surface mount square aperture with surface mount conduit canopy (For stem mounting, use accessory conduit pendant kit with standard ceiling surface mount.) ⁽¹⁾ LESQRSM6C= 6-inch square surface mount, round aperture with surface mount conduit canopy (For stem mounting, use accessory conduit pendant kit with standard ceiling surface mount.) ⁽²⁾</p> <p>Wall mount Downlight LERWM6C= 6-inch round wall mount LESQRWM6C= 6-inch square wall mount round aperture ⁽²⁾ LESQWM6C= 6-inch square wall mount square aperture ⁽¹⁾</p> <p>Wall mount Up/down (direct/indirect) ⁽²²⁾ LERUD6C= 6-inch round wall mount up/down ^{(4) (37)} LESQUD6C= 6-inch square wall mount up/down square aperture ^{(3) (37)} LESQRUD6C= 6-inch square wall mount up/down round aperture ^{(4) (37)}</p> <p>Yoke mount LERYM6C= 6-inch round yoke mount ⁽²⁴⁾ LESQYM6C= 6-inch square yoke mount square aperture ^{(1) (24)} LESQYM6C= 6-inch square yoke mount round aperture ^{(2) (24)}</p>	<p>02=250 lumens 05=500 lumens 08=800 lumens 10=1000 lumens 15=1500 lumens 20=2000 lumens 25=2500 lumens 30=3000 lumens 35=3500 lumens 40=4000 lumens 45=4500 lumens (with remote driver only) 50=5000 lumens (with remote driver only) 55=5500 lumens (with remote driver only) 60=6000 lumens (with remote driver only)</p>	<p>D010=0-10V Dimming, 1% to 100%, 120V-277V, 500-6000 Lumens D010W = Fixed, Wired 0-10V 1% dimming 500-4,000 lumens with integral driver (offered with BAA only) 3D010=0-10V Dimming, 1% to 100%, 347V, 800-3500 Lumens (500, 4000-6000 Lumens require a Remote Driver) D010TR=0-10V (120-277V) or line voltage (120V) dimming, 1-100%; 1 driver: 250 to 3500 / 2 drivers: (Downlight with Remote Driver only): 4000-6000 Lumens DE010=0-10V Linear Dimming, 0.1% to 100%, 120V-277V, 500-6000 lumens DSL=Fifth Light® DALI DT6 Logarithmic Dimming, 0.1% to 100%, 120V-277V, 500-6000 lumens DMX=DMX/RDM Logarithmic Dimming, 0.1% to 100%, 120V-277V, 1 driver: 800-4000 lumens / 2 drivers: (Downlight with Remote Driver only): 4500-6000 Lumens ⁽⁶⁾ DMXC5=DMX/RDM Logarithmic Dimming, 0.1% to 100%, 120V-277V, with RJ45 connection, 1 driver: 800-4000 lumens / 2 drivers: (Downlight with Remote Driver only): 4500-6000 Lumens ⁽⁶⁾ DLE=Lutron Ecosystem dimming 1% to 100%, 120-277V; 1 driver: 800 to 3500 Lumens / 2 drivers: (Downlight with Remote Driver only): 4000-6000 Lumens DLV=Low Voltage System, 800-3000 lumens</p>	<p>blank=Integral driver R=Remote driver ⁽⁹⁾</p>	<p>P=White MB=Matte Black SL=Silver BZ=Bronze</p>	<p>WPN = WaveLinX PRO Wireless Node without sensor ^{(14) (39)} WLN = WaveLinX LITE Wireless Node without sensor ^{(14) (40)} IEMBOD6ST = Bodine® 6W Self Test Emergency Module with Integral Test Switch (requires EM6 trim option, not available with up/down) • Offered in 500-3000 lumens</p>

SAMPLE ORDER NUMBER: **EC6C10259035**

Domestic Preferences ⁽³⁰⁾	Power Module	Lumen Levels ⁽¹⁵⁾	Color
[Blank] =Standard TAA = Trade Agreements Act BAA =Buy American Act	<p>EC6C=6-inch cylinder light engine</p>	<p>0208=250, 500, 800 lumens 1025=1000, 1500, 2000 or 2500 Lumens 3035=3000, 3500 lumens 40=4000 lumens 4560=4500, 5000, 5500, 6000 lumens</p> <p>Two LEDs for cylinders with two drivers 4080=4000, 4500, 5000, 5500, 6000 lumens [For use with Lutron & D010TR (4000-6000), DMX (4500-6000)]</p>	<p>90 CRI 9024= 90CRI, 2400K 9027= 90CRI, 2700K 9030= 90CRI, 3000K 9035= 90CRI, 3500K 9040= 90CRI, 4000K 9050= 90CRI, 5000K</p>
	<p>ECA6C=6-inch cylinder adjustable light engine</p>	<p>0235=250, 500, 800, 1000, 1500, 2000, 2500, 3000, & 3500 lumens 4000=4000 lumens</p>	

SAMPLE ORDER NUMBER: **6LBM3LI**

Domestic Preferences ⁽³⁰⁾	Trim	Distribution ⁽¹⁶⁾	Flange	Finish	Options	
[Blank] =Standard BAA =Buy American Act ^{(30) (38)}	<p>6LB=6" Reflector</p>	<p>N=Narrow (30° Beam), Spun Aluminum (for single LED module only) M=Medium (50° Beam), Spun Aluminum MD=45° Cutoff, Medium Beam, Spun Aluminum W=Wide (75° Beam), Spun Aluminum SS=Shallow (75° Beam), Spun Aluminum HY=Hyperbolic Medium Beam (for single LED module only) CS=Cast Shallow (75° Beam), Die Cast Aluminum</p>	<p>SWN=Single Wall Wash, Spun Aluminum DWN=Double Wall Wash, Spun Aluminum MDSW=45° Cutoff, Single Wall Wash, Spun Aluminum MDDW= 45° Cutoff, Double Wall Wash, Spun Aluminum Square (for use with LESQUDS, LESQS) SQ= Medium Beam, 50° Cutoff Square Anodized Aluminum Downlight SQW= Medium Beam, 45° Cutoff Anodized Aluminum Downlight CSSQ=Square Shallow Die Cast</p>	<p>3=Rimless</p>	<p>LI=Specular Clear ⁽¹⁷⁾ H=Semi-Specular Clear ⁽¹⁷⁾ WMH=Warm Haze ⁽¹⁷⁾ WH=Wheat ⁽¹⁷⁾ GPH=Graphite Haze ⁽¹⁷⁾ B=Specular Black ⁽¹⁷⁾ MW=Matte White MB=Matte Black ⁽¹⁸⁾ MMS=Matte Metallic Silver ⁽¹⁸⁾</p>	<p>EM6=Integral Emergency Test Switch Hole ⁽¹³⁾ For use with: • Available with narrow (N), medium (M) and medium 45° (MD), Shallow (S), Square (SQW).</p>
	<p>6LBA = 0-30° directional ⁽³⁵⁾</p>		<p>3=Rimless</p>	<p>MW=Matte White MB=Matte Black MMS=Matte Metallic Silver</p>		

continued on next page

Order Information

REQUIRED if Remote Driver (R) is specified on Cylinder

Domestic Preferences ⁽⁸⁾	Remote Drivers ⁽⁶⁾	Lumens	Voltage	Driver	Options ^{(31) (33)}	Controls ^{(31) (33)}
[Blank]=Standard TAA= Trade Agreements Act	RC100=Remote 100 ft RC75= Remote 75 ft RC50= Remote 50 ft RC25= Remote 25 ft RC15= Remote 15 ft RC5= Remote 5 ft RC2= Remote 2 ft	02=250 lumens 05=500 lumens 08=800 lumens 10=1000 lumens 15=1500 lumens 20=2000 lumens 25=2500 lumens 30=3000 lumens 35=3500 lumens 40C=4000 lumens 45C=4500 lumens 50C=5000 lumens 55C=5500 lumens 60C=6000 lumens	blank=120-277V (250-3500 lumens) ⁽¹¹⁾ 1=120V (3500 & 4000 -6000 lumens only) 2=277V (3500 & 4000 -6000 lumens only) 3=347V ⁽³⁴⁾	D010=0-10V Dimming, 1% to 100%, 120V-277V, 500-6000 Lumens D010TR=0-10V (120-277V) or line voltage (120V) dimming, 1-100%; 1 driver: 250 to 3500 / 2 drivers: 4000-6000 Lumens DE010=0-10V Linear Dimming, 0.1% to 100%, 120V-277V, 500-6000 lumens D5LT=Fifth Light® DALI DT6 Logarithmic Dimming, 0.1% to 100%, 120V-277V, 500-6000 lumens DMX=DMX/RDM Logarithmic Dimming, 0.1% to 100%, 120V-277V, 1 driver: 800-4000 lumens / 2 drivers: 4500-6000 Lumens ⁽⁶⁾ DMXC5=DMX/RDM Logarithmic Dimming, 0.1% to 100%, 120V-277V, with RJ45 connection, 1 driver: 800-4000 lumens / 2 drivers: 4500-6000 Lumens ⁽⁶⁾ DLE=Lutron Ecosystem dimming 1% to 100%, 120-277V; 1 driver: 800 to 3500 Lumens / 2 drivers: 4000-6000 Lumens ⁽¹²⁾ DLV=Low Voltage System, 800-3000 lumens	EMBOD=Bodine® 7W Emergency Module with Remote Test Switch EMBOD6ST=Bodine® 6W Self Test Emergency Module with Remote Test Switch EM7=7W Emergency Module with Remote Test Switch EM14=14W Emergency Module with Remote Test Switch EMBOD7ST=Bodine® 7W Self Test Emergency Module EMV7=7W Low Voltage Emergency Module with Remote Test Switch ⁽²¹⁾ EMV14=14W Low Voltage Emergency Module with Remote Test Switch ⁽²¹⁾ ETRD=Emergency transfer device ⁽³²⁾	WPST=Factory installed WaveLinX (includes control module, sensor, cable, tile mount and ceiling mount sensor) ^{(14) (28)} WLST=Factory installed WaveLinX Lite Sensor Kit ^{(14) (27)} WPN = WaveLinX PRO Wireless Node without sensor ^{(14) (39)} WLN = WaveLinX LITE Wireless Node without sensor ^{(14) (40)}

Domestic Preferences	Accessories	Type	Lengths
Domestic Preferences ⁽³⁰⁾	Accessories ⁽³⁵⁾	Type	Lengths
[Blank]=Standard TAA=Trade Agreements Act BAA=Buy American Act	<p>Pendant Kit (order with LER6C/LESQ6C/LESQR6C) ^{(20) (29) (36)}</p> <p>P836P=White pendant stem kit for suspended mount cylinder P836BZ=Bronze pendant stem kit for suspended mount cylinder P836MB=Matte black pendant stem kit for suspended mount cylinder P836SL=Silver pendant stem kit for suspended mount cylinder</p> <p>Conduit Pendant Kit - Round (order with LER6C) ^{(26) (36)}</p> <p>PMRCC6P = Round pendant stem kit with conduit knockout cover, white PMRCC6MB = Round pendant stem kit with conduit knockout cover, black PMRCC6BZ = Round pendant stem kit with conduit knockout cover, bronze PMRCC6SL = Round pendant stem kit with conduit knockout cover, silver</p> <p>Conduit Pendant Kit - Square (order with LESQ6C/LESQR6C) ^{(25) (36)}</p> <p>PMSQCC6P = Square pendant stem kit with conduit knockout cover, white PMSQCC6MB = Square pendant stem kit with conduit knockout cover, black PMSQCC6BZ = Square pendant stem kit with conduit knockout cover, bronze PMSQCC6SL = Square pendant stem kit with conduit knockout cover, silver</p> <p>Aircraft cable ^{(26) (29) (36)}</p> <p>AC120P=120" white aircraft cable kit AC48P=48" white aircraft cable kit AC120MB=120" black aircraft cable kit AC48MB=48" black aircraft cable kit</p> <p>LNE6RUD=up/down gasketed lens, wet location, round LNE6SQUD=up/down gasketed lens, wet location, square</p> <p>Conduit Kit (order with LER6C) ⁽²⁶⁾</p> <p>SMRCC6P = Conduit canopy for round surface mount, white SMRCC6MB = Conduit canopy for round surface mount, black SMRCC6BZ = Conduit canopy for round surface mount, bronze SMRCC6SL = Conduit canopy for round surface mount, silver</p>	<p>Blank=5 conductor for use with 0-10V driver 3C=3 conductor for use with 120 or 277V 5C= conductor for use with D5LT drivers DMX=No conductors for use with DMX RM = for Remote drivers</p> <p>Blank=5 conductor DMXC5=DMX/RDM logarithmic Dimming with RJ45 connection</p>	<p>Blank=36" SP*=* Specify 6" to 144" in 1" increments</p> <p>Blank=36" SP*=* Specify 6" to 144" in 1" increments</p>

Notes

- (1) Square reflector
- (2) Round reflector
- (3) Square reflector, requires two reflectors and light engines
- (4) Round reflector, requires two reflectors and light engines
- (5) 347V integral D010 only. 800-3500 lumens for integral driver. 250, 500, 4000 lumens for remote driver.
- (6) DMX fixtures default to full on upon loss of DMX signal
- (8) Up down surface mount require 2 driver assemblies
- (9) Order remote driver separately. See below to order.
- (10) Consult factory for custom finishes.
- (11) 3000 and below. Up to 3000 lumens does not need voltage specified.
- (12) Only available up to 25 ft.
- (14) Refer to system specifications for additional information, features, and benefits. Order either factory installed option or accessory. Use with 0-10V driver. WPN is factory installed only.
- (15) Nominal Lumens will vary depending on selected color, driver and reflector finish.
- (16) Beam angles are nominal with LI finish trims.
- (17) Anodized or spun aluminum reflectors
- (18) Die cast reflectors only
- (19) Required for use with EM6. Not offered with remote driver.
- (20) 0-45° slope.

- (21) ULUS listed only
- (22) Lumen specified for up/down is the same for both directions. Ex. 800 lumens will be 800 lumens up & 800 lumens down.
- (24) Ceiling mount only
- (26) Not for use with remote driver
- (27) WLST = WaveLinX Lite tile mount sensor kit for daylight dimming, PIR motion sensing, use with D010 only (Refer to WaveLinX Lite system specifications)
- (28) WPST = WaveLinX wireless sensor kit for daylight dimming, PIR motion sensing, and optional RLTS - Real Time Location Services, use with 0-10V only
- (29) Offered with BAA only
- (30) To order product that is compliant with the Buy American Act of 1933 (BAA) or Trade Agreements Act (TAA), use the online specification configurator to specify BAA or TAA. Please refer to [DOMESTIC PREFERENCES LINK](#) for more information. Components shipped separately may be separately analyzed under domestic preference requirements. Accessories sold separately will be separately analyzed under domestic preference requirements.
- (31) 120V-277V
- (32) Used to bypass local control during outage. Must be used in conjunction with UL 1008 device (provided by others).
- (33) Non-IC
- (34) D010 800 to 4000 lumens. 250, 500 and 4000 lumens use step down

- (35) transformer) All other drivers use step down transformer.
- (35) Order with ECA6C light engine.
- (36) Order with ceiling mount cylinder.
- (37) DMX drivers with shallow trim only.
- (38) Offered with spun aluminum narrow (N), medium (M) and wide (W) trims
- (39) WPN = WaveLinX PRO wireless node provides luminaire-level control with scene and zone configuration without an integrated sensor; Connects wirelessly with daylight dimming sensor and PIR motion sensor if desired. Use with 0-10V driver only.
- (40) WLN = WaveLinX LITE wireless node provides luminaire level control with scene and zone configuration without an integrated sensor; Connects wirelessly with daylight dimming sensor and PIR motion sensor if desired. Use with D010 or DE010 drivers only.

Product Specifications

Lower Reflector

- Painted die-cast aluminum or spun aluminum lower reflector with a lensed upper optical chamber provides superior lumen output with minimal source brightness
- Square surface mount available with square or round reflectors
- Spun reflectors are available in all Portfolio finishes
- Directional with baffle tilts from 0-30°

Wall Wash Reflector

- Open Wall Wash - wall wash reflector with gradient kicker offered in single and double with choice of wide or medium beam, providing even vertical illumination with minimal source brightness.
- Rotatable Lensed Wall Wash - Rotatable lensed wall wash reflector offered in single and double wall wash provides even vertical illumination with minimal source brightness.

Trim retention

- Two torsion springs hold flange tightly to the cylinder lip

Cylinder

- Round and soft square extruded aluminum
- Matte white, bronze, silver or matte black
- Available in standard and shallow heights
- Consult factory for custom finishes
- Yoke mount provides +/-45° lockable tilt
- Offered in downlight or up/down (direct/indirect)

Mounting

- Mounting plate installs to mounted junction box
- Cylinder mounts to plate with easy twist and lock hooks for ceiling mount
- For wall mount, mounting arm attaches directly to junction box via a robust mounting plate
- Offered with optional stem and aircraft cable
- Conduit canopy allows for mounting pendant and surface cylinder on hard ceilings provided in painted finish to match the cylinder accommodates ½" or ¾" conduit.

Thermal

- Aluminum heat sink conducts heat away from the LED module for optical performance and longer life

LED System

- Contains a plurality of high brightness white LED's combined with a high reflectance upper reflector and convex transitional lens producing even distribution without pixilation
- Auto resetting, thermally protected, LED's are turned off when safe operating temperatures are exceeded
- Quick disconnect allows for tool-less replacement of LED engine from below ceiling
- 90 and 97 CRI
- 90 & 97CRI: L78 55,000 hours for 1000-2000 lumens, L90 55,000 for all other lumen output
- Color variation within 2-step MacAdam ellipses
- Available in 2400K, 2700K, 3000K, 3500K, 4000K and 5000K correlated color temperature (CCT)

Vividtune and High CRI

- 98 CRI and W2N: L70 55,000 hours
- D2W™ – dim-to-warm shifts CCT from 3000K to 1850K as fixture dims mimicking halogen sources.
- W2N - Tunable white CCT range 2700K to 6500K or 2000K to 5000K, 90 CRI. Standard
- **98 CRI** With a full-spectrum approach using broad-blue chip technology and special phosphor blends, Thrive is able to closely match the spectrum of the sun across all color temperatures. Benefits of the natural spectrum of the sun using Thrive include superior accurate color rendering, reduced eye strain, and a higher sense of emotional well-being.
- See dedicated specification sheet for more details.

Driver

- Standard 120-277V 0-10V dimming driver provides flicker-free dimming from 100% to 1%
- Optional 120V leading edge, <1% 0-10V, Fifth Light, DMX or Lutron®
- Remote driver option up to 100' based on driver selection
- Distributed low voltage power system combines power, lighting, and controls with ease of installation.

Emergency Option

- Provides 90 minutes of standby lighting, meeting most life safety codes for egress lighting
- Available Self-Test (self-diagnostic) with charge indicator and test switch
- Emergency Transfer Relay Device bypasses local control during a power outage
- UL 924 listed

Connected Lighting System

Two WaveLinx connected solutions to choose from. Refer to WaveLinx system specifications and application guides for details.

WaveLinx PRO Tilemount Sensor Kit

- WaveLinx PRO WPST tilemount sensor kit offers daylight dimming, PIR motion sensing, scene and zone configuration, automatic commissioning; and optional RLTS - Real Time Location Services available.

WaveLinx PRO Wireless Node

- WaveLinx PRO WPN wireless node provides luminaire-level control with scene and zone configuration without an integrated sensor; Connects wirelessly with daylight dimming sensor and PIR motion sensor if desired. Use with 0-10V driver only. **Note:** Not compatible with 347V or Chicago plenum.

WaveLinx LITE Tilemount Sensor Kit

- WaveLinx LITE WLST tilemount sensor kit offers daylight dimming and PIR motion sensing, scene and grouping configuration.

WaveLinx LITE Wireless Node

- WaveLinx LITE WLN wireless node provides luminaire level control with scene and zone configuration without an integrated sensor; Connects wirelessly with daylight dimming sensor and PIR motion sensor if desired. Use with 0-10V driver only. **Note:** Not compatible with 347V or Chicago plenum.

WaveLinx Tilemount Sensor Kits Application

- The WPST and WLST tilemount sensor kits include a control module mounted on the luminaire junction box via 1/2" knock-out, and a tilemount sensor on 54-inch whip; for ceiling installation by direct-mount spring clips or via mounting bracket in octagon ceiling boxes.
- The WPST and WLST tilemount sensor kits may be ordered as factory installed on the luminaire, or ordered separately as a field installed accessory kit.
- **Note: WaveLinx PRO devices are only compatible with the WaveLinx PRO system.**
- **Note: WaveLinx LITE devices are only compatible with the WaveLinx LITE system.**

Compliance

- Pendant mount cULus Listed for damp locations
- Ceiling mount cULus Listed for wet locations and IP66 compliant in covered ceiling
- Wall mount cULus Listed for wet locations and IP66 compliant, requires lens accessory for up/down wall mount
- Add cULus listed for 25° C ambient environments
- EMI/RFI emissions per FCC 47CFR Part 18 Class B consumer limits
- RoHS compliant
- Photometric testing completed in accordance with IES LM-79
- LED life testing completed in accordance with IES LM-80 standards

Warranty

- Five year warranty www.cooperlighting.com/legal

*T24 and RoHS are self-tested by Cooper Lighting Solutions. Not a third party certification.

Energy Data

D010 DRIVER ENERGY DATA

Series	250 lumen		500 lumen		800 lumen		1000 lumen		1500 lumen		2000 lumen	
Input Voltage 120-277VAC	120V	277V	120V	277V	120V	277V	120V	277V	120V	277V	120V	277V
Input Current (A)	0.029	0.017	0.061	0.032	0.085	0.041	0.084	0.042	0.135	0.063	0.189	0.084
Input Power (W)	3.45	3.87	7.33	7.78	10.15	10.52	10.04	10.43	16.17	16.56	22.58	22.63
In-rush (A)	2.1	8.5	3.7	8.5	3.6	8.3	3.6	8.4	2.3	9.5	2.1	9.7
Inrush duration (µs)	250	131	190	136	220	135	226	136	230	125	243	132
THDi (%)	7.21	16.92	7.82	10.78	5.57	9.63	7.78	9.24	4.75	9.93	8.03	7.44
PF	≥ 0.98	≥ 0.9	≥ 0.99	≥ 0.93	≥ 0.99	≥ 0.95	≥ 0.99	≥ 0.95	≥ 0.99	≥ 0.94	≥ 0.99	≥ 0.96

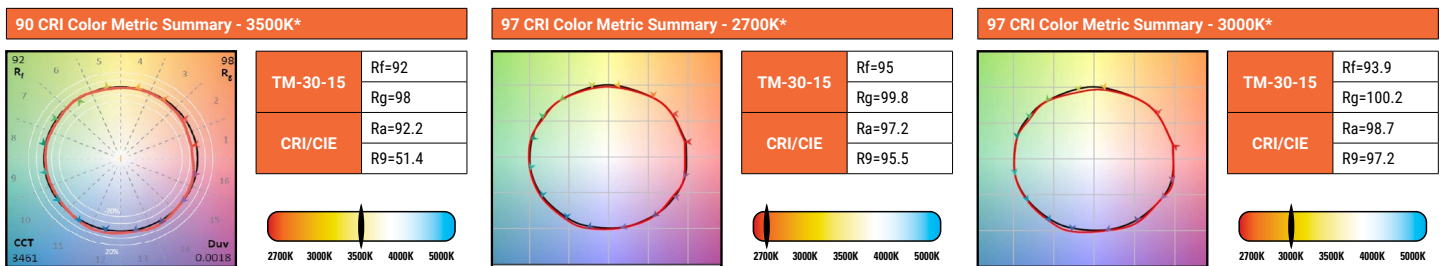
Series	2500 lumen		3000 lumen		3500 lumen		4000 lumen		4500 lumen		5000 lumen	
Input Voltage 120-277VAC	120V	277V	120V	277V	120V	277V	120V	277V	120V	277V	120V	277V
Input Current (A)	0.276	0.121	0.276	0.121	0.333	0.152	0.404	0.181	0.421	0.192	0.491	0.216
Input Power (W)	32.98	32.57	32	32.57	39.83	39.84	48.38	47.94	50.22	50.17	58.69	58.01
In-rush (A)	2.5	11.8	3.6	11.8	3.1	14.3	3.1	14.5	5.6	22.6	5.6	22.6
Inrush duration (µs)	215	111	220	111	200	94	197	95	215	120	213	135
THDi (%)	9.86	6.57	5.57	6.57	4.25	10.05	5.02	7.97	6.12	8.35	8.51	7.92
PF	≥ 0.99	≥ 0.97	≥ 0.99	≥ 0.99	≥ 0.99	≥ 0.94	≥ 0.99	≥ 0.95	≥ 0.99	≥ 0.95	≥ 0.99	≥ 0.96

Series	6000 lumen	
Input Voltage 120-277VAC	120V	277V
Input Current (A)	0.542	0.256
Input Power (W)	64.88	65.7
In-rush (A)	6.2	27.5
Inrush duration (µs)	188	101
THDi (%)	4.33	11.86
PF	≥ 0.99	≥ 0.93

Minimum starting temperature -30°C (-22°F)* (Nominal input 120-277VAC & 100% of rated output power)
Sound Rating: Class A standards
EMI/RFI: FCC Title 47 CFR, Part 15, Class B (Consumer)
Input Frequency: 50/60Hz

Notes:
Emergency Battery packs are rated for a minimum starting temperature of 0°C.

COLOR METRICS - TM-30-15 & CRI/CIE



* Color values are based on haze reflector, other finishes and field results may vary.

Beam Angles

Trim	Beam Angle
6LBMH	MEDIUM 60° BEAM (H)
6LBMLI	MEDIUM 55° BEAM (LI)
6LBNH	NARROW 55° BEAM (H)
6LBNLI	NARROW 30° BEAM (LI)
6LBSH	SHALLOW 85° BEAM (H)
6LBSLI	SHALLOW 70° BEAM (LI)
6LBWH	WIDE 80° BEAM (H)

Trim	Beam Angle
6LBWLI	WIDE 80° BEAM (LI)
6LBSWNLI	SINGLE WALL WASH (LI)
6LBLSWWH	LENSED WALL WASH (H)
6LBLSWWLI	LENSED WALL WASH (LI)
6LBMDH	MEDIUM BEAM 45° CUTOFF 50° BEAM (H)
6LBMDLI	MEDIUM BEAM 45° CUTOFF 50° BEAM (LI)

Photometric Data

[View IES files](#)

MEDIUM 60° BEAM (H)		CANDLEPOWER DISTRIBUTION				CONE OF LIGHT				CANDELA TABLE		ZONAL LUMEN SUMMARY			LUMINANCE																									
Test Number	P571658	Downlight								Degrees Vertical	Candela	Zone	Lumens	% Fixture	Average Candela Degrees	Average 0° Luminance																								
Housing	LE*6C20D010					<table border="1"> <thead> <tr> <th>D</th> <th>FC</th> <th>L</th> <th>W</th> </tr> </thead> <tbody> <tr><td>4'</td><td>93.3</td><td>3.6</td><td>3.6</td></tr> <tr><td>7'</td><td>30.5</td><td>6.4</td><td>6.4</td></tr> <tr><td>9'</td><td>18.4</td><td>8.4</td><td>8.4</td></tr> <tr><td>13'</td><td>8.8</td><td>12.2</td><td>12.2</td></tr> <tr><td>16'</td><td>5.8</td><td>15</td><td>15</td></tr> </tbody> </table>				D	FC	L	W	4'	93.3	3.6	3.6	7'	30.5	6.4	6.4	9'	18.4	8.4	8.4	13'	8.8	12.2	12.2	16'	5.8	15	15	0	1493	0-30	947	62.8	37	30591
D	FC	L	W																																					
4'	93.3	3.6	3.6																																					
7'	30.5	6.4	6.4																																					
9'	18.4	8.4	8.4																																					
13'	8.8	12.2	12.2																																					
16'	5.8	15	15																																					
Module	EC6C10259035									5	1461	0-40	1287	85.3	45	13699																								
Trim	6LBMH									15	1261	0-60	1482	98.2	55	5142																								
Lumens	1509									25	1015	0-90	1509	100	65	2516																								
Efficacy	69.2 Lm/W									35	539	90-180	0	0	75	1377																								
SC	0.94									45	177	0-180	1509	100	85	0																								
UGR	12.5									55	54																													
										65	19																													
										75	6																													
										85	0																													
										90	0																													

MEDIUM 55° BEAM (LI)		CANDLEPOWER DISTRIBUTION				CONE OF LIGHT				CANDELA TABLE		ZONAL LUMEN SUMMARY			LUMINANCE																									
Test Number	P571659	Downlight								Degrees Vertical	Candela	Zone	Lumens	% Fixture	Average Candela Degrees	Average 0° Luminance																								
Housing	LE*6C20D010					<table border="1"> <thead> <tr> <th>D</th> <th>FC</th> <th>L</th> <th>W</th> </tr> </thead> <tbody> <tr><td>4'</td><td>144.5</td><td>3.2</td><td>3.2</td></tr> <tr><td>7'</td><td>47.2</td><td>5.8</td><td>5.8</td></tr> <tr><td>9'</td><td>28.5</td><td>7.6</td><td>7.6</td></tr> <tr><td>13'</td><td>13.7</td><td>10.8</td><td>10.8</td></tr> <tr><td>16'</td><td>9</td><td>13.4</td><td>13.4</td></tr> </tbody> </table>				D	FC	L	W	4'	144.5	3.2	3.2	7'	47.2	5.8	5.8	9'	28.5	7.6	7.6	13'	13.7	10.8	10.8	16'	9	13.4	13.4	0	2311	0-30	1359	73.6	37	30951
D	FC	L	W																																					
4'	144.5	3.2	3.2																																					
7'	47.2	5.8	5.8																																					
9'	28.5	7.6	7.6																																					
13'	13.7	10.8	10.8																																					
16'	9	13.4	13.4																																					
Module	EC6C10259035									5	2281	0-40	1737	94	45	8063																								
Trim	6LBMLI									15	1903	0-60	1841	99.7	55	898																								
Lumens	1847									25	1364	0-90	1847	100	65	623																								
Efficacy	84.7 Lm/W									35	591	90-180	0	0	75	508																								
SC	0.85									45	104	0-180	1847	100	85	0																								
UGR	1.3									55	9																													
										65	5																													
										75	2																													
										85	0																													
										90	0																													

NARROW 55° BEAM (H)		CANDLEPOWER DISTRIBUTION				CONE OF LIGHT				CANDELA TABLE		ZONAL LUMEN SUMMARY			LUMINANCE																									
Test Number	P571660	Downlight								Degrees Vertical	Candela	Zone	Lumens	% Fixture	Average Candela Degrees	Average 0° Luminance																								
Housing	LE*6C20D010					<table border="1"> <thead> <tr> <th>D</th> <th>FC</th> <th>L</th> <th>W</th> </tr> </thead> <tbody> <tr><td>4'</td><td>104.1</td><td>3</td><td>3</td></tr> <tr><td>7'</td><td>34</td><td>5.4</td><td>5.4</td></tr> <tr><td>9'</td><td>20.6</td><td>7</td><td>7</td></tr> <tr><td>13'</td><td>9.9</td><td>10</td><td>10</td></tr> <tr><td>16'</td><td>6.5</td><td>12.4</td><td>12.4</td></tr> </tbody> </table>				D	FC	L	W	4'	104.1	3	3	7'	34	5.4	5.4	9'	20.6	7	7	13'	9.9	10	10	16'	6.5	12.4	12.4	0	1665	0-30	916	70.5	37	23572
D	FC	L	W																																					
4'	104.1	3	3																																					
7'	34	5.4	5.4																																					
9'	20.6	7	7																																					
13'	9.9	10	10																																					
16'	6.5	12.4	12.4																																					
Module	EC6C10259035									5	1618	0-40	1191	91.7	45	6977																								
Trim	6LBNH									15	1282	0-60	1289	99.2	55	2045																								
Lumens	1299									25	893	0-90	1299	100	65	921																								
Efficacy	59.6 Lm/W									35	438	90-180	0	0	75	508																								
SC	0.78									45	90	0-180	1299	100	85	0																								
UGR	6.9									55	21																													
										65	7																													
										75	2																													
										85	0																													
										90	0																													

NARROW 30° BEAM (LI)		CANDLEPOWER DISTRIBUTION				CONE OF LIGHT				CANDELA TABLE		ZONAL LUMEN SUMMARY			LUMINANCE																									
Test Number	P571661	Downlight								Degrees Vertical	Candela	Zone	Lumens	% Fixture	Average Candela Degrees	Average 0° Luminance																								
Housing	LE*6C20D010					<table border="1"> <thead> <tr> <th>D</th> <th>FC</th> <th>L</th> <th>W</th> </tr> </thead> <tbody> <tr><td>4'</td><td>233.6</td><td>2</td><td>2</td></tr> <tr><td>7'</td><td>76.3</td><td>3.6</td><td>3.6</td></tr> <tr><td>9'</td><td>46.2</td><td>4.6</td><td>4.6</td></tr> <tr><td>13'</td><td>22.1</td><td>6.8</td><td>6.8</td></tr> <tr><td>16'</td><td>14.6</td><td>8.4</td><td>8.4</td></tr> </tbody> </table>				D	FC	L	W	4'	233.6	2	2	7'	76.3	3.6	3.6	9'	46.2	4.6	4.6	13'	22.1	6.8	6.8	16'	14.6	8.4	8.4	0	3738	0-30	1320	80.4	37	21389
D	FC	L	W																																					
4'	233.6	2	2																																					
7'	76.3	3.6	3.6																																					
9'	46.2	4.6	4.6																																					
13'	22.1	6.8	6.8																																					
16'	14.6	8.4	8.4																																					
Module	EC6C10259035									5	3483	0-40	1580	96.2	45	4590																								
Trim	6LBNLI									15	2027	0-60	1639	99.8	55	459																								
Lumens	1642									25	973	0-90	1642	100	65	311																								
Efficacy	75.3 Lm/W									35	412	90-180	0	0	75	0																								
SC	0.53									45	59	0-180	1642	100	85	0																								
UGR	0									55	5																													
										65	2																													
										75	0																													
										85	0																													
										90	0																													

Photometric Data

[View IES files](#)

SHALLOW 85° BEAM (H)		CANDLEPOWER DISTRIBUTION				CONE OF LIGHT				CANDELA TABLE		ZONAL LUMEN SUMMARY			LUMINANCE	
Test Number	P571662	Downlight 								Degrees Vertical	Canдела	Zone	Lumens	% Fixture	Average Candela Degrees	Average 0° Luminance
Housing	LE*6C20D010									0	1125	0-30	790	36.7	37	45292
Module	EU6C10259035	5	1116	0-40	1224	56.9	45	40764								
Trim	6LBSH	15	1021	0-60	1936	90	55	32821								
Lumens	2151	25	864	0-90	2151	100	65	21818								
Efficacy	98.7 Lm/W	35	694	90-180	0	0	75	8536								
SC	1.06	45	526	0-180	2151	100	85	0								
UGR	24.9	55	343													
		65	168													
		75	40													
		85	0													
		90	0													

SHALLOW 70° BEAM (LI)		CANDLEPOWER DISTRIBUTION				CONE OF LIGHT				CANDELA TABLE		ZONAL LUMEN SUMMARY			LUMINANCE	
Test Number	P571663	Downlight 								Degrees Vertical	Canдела	Zone	Lumens	% Fixture	Average Candela Degrees	Average 0° Luminance
Housing	LE*6C20D010									0	1405	0-30	879	39.5	37	45256
Module	EU6C10259035	5	1383	0-40	1315	59.1	45	40516								
Trim	6LBSLI	15	1175	0-60	2019	90.7	55	32324								
Lumens	2226	25	913	0-90	2226	100	65	21170								
Efficacy	102.1 Lm/W	35	695	90-180	0	0	75	8006								
SC	0.91	45	523	0-180	2226	100	85	0								
UGR	24.6	55	338													
		65	163													
		75	38													
		85	0													
		90	0													

WIDE 80° BEAM (H)		CANDLEPOWER DISTRIBUTION				CONE OF LIGHT				CANDELA TABLE		ZONAL LUMEN SUMMARY			LUMINANCE	
Test Number	P571664	Downlight 								Degrees Vertical	Canдела	Zone	Lumens	% Fixture	Average Candela Degrees	Average 0° Luminance
Housing	LE*6C20D010									0	1127	0-30	851	46.6	37	47030
Module	EU6C10259035	5	1122	0-40	1312	71.8	45	31934								
Trim	6LBWH	15	1072	0-60	1770	96.9	55	14260								
Lumens	1827	25	968	0-90	1827	100	65	5228								
Efficacy	83.8 Lm/W	35	746	90-180	0	0	75	2499								
SC	1.16	45	412	0-180	1827	100	85	1510								
UGR	17.8	55	149													
		65	40													
		75	12													
		85	2													
		90	0													

WIDE 80° BEAM (LI)		CANDLEPOWER DISTRIBUTION				CONE OF LIGHT				CANDELA TABLE		ZONAL LUMEN SUMMARY			LUMINANCE	
Test Number	P571665	Downlight 								Degrees Vertical	Canдела	Zone	Lumens	% Fixture	Average Candela Degrees	Average 0° Luminance
Housing	LE*6C20D010									0	1304	0-30	1074	51.4	37	58990
Module	EU6C10259035	5	1311	0-40	1657	79.4	45	33942								
Trim	6LBWLI	15	1339	0-60	2075	99.4	55	7235								
Lumens	2087	25	1249	0-90	2087	100	65	921								
Efficacy	95.7 Lm/W	35	946	90-180	0	0	75	508								
SC	1.24	45	438	0-180	2087	100	85	0								
UGR	10.8	55	76													
		65	7													
		75	2													
		85	0													
		90	0													

Photometric Data

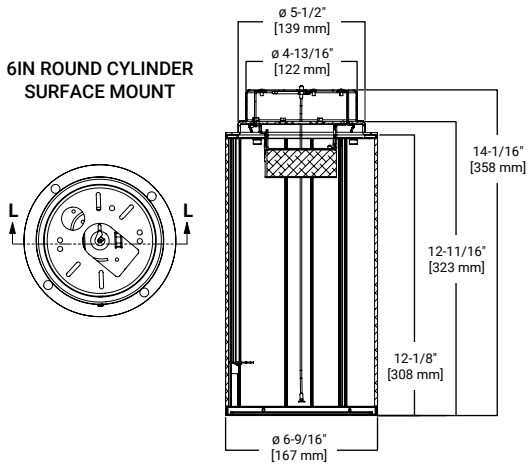
[View IES files](#)

SINGLE WALL WASH (LI)		CANDLEPOWER DISTRIBUTION				CONE OF LIGHT				CANDELA TABLE		ZONAL LUMEN SUMMARY			LUMINANCE																																																																																
Test Number	P571666	Downlight 				 <table border="1"> <thead> <tr> <th>D</th> <th>FC</th> <th>L</th> <th>W</th> </tr> </thead> <tbody> <tr> <td>4'</td> <td>7.7</td> <td>4.7</td> <td>4.8</td> </tr> <tr> <td>7'</td> <td>25.1</td> <td>8.2</td> <td>8.6</td> </tr> <tr> <td>9'</td> <td>15.2</td> <td>10.6</td> <td>11.2</td> </tr> <tr> <td>13'</td> <td>7.3</td> <td>15.3</td> <td>16</td> </tr> <tr> <td>16'</td> <td>4.8</td> <td>18.9</td> <td>19.8</td> </tr> </tbody> </table>				D	FC	L	W	4'	7.7	4.7	4.8	7'	25.1	8.2	8.6	9'	15.2	10.6	11.2	13'	7.3	15.3	16	16'	4.8	18.9	19.8	<table border="1"> <thead> <tr> <th>Degrees Vertical</th> <th>Candela</th> </tr> </thead> <tbody> <tr><td>0</td><td>1155</td></tr> <tr><td>5</td><td>1121</td></tr> <tr><td>15</td><td>1048</td></tr> <tr><td>25</td><td>949</td></tr> <tr><td>35</td><td>746</td></tr> <tr><td>45</td><td>470</td></tr> <tr><td>55</td><td>281</td></tr> <tr><td>65</td><td>181</td></tr> <tr><td>75</td><td>82</td></tr> <tr><td>85</td><td>18</td></tr> <tr><td>90</td><td>0</td></tr> </tbody> </table>	Degrees Vertical	Candela	0	1155	5	1121	15	1048	25	949	35	746	45	470	55	281	65	181	75	82	85	18	90	0	<table border="1"> <thead> <tr> <th>Zone</th> <th>Lumens</th> <th>% Fixture</th> </tr> </thead> <tbody> <tr><td>0-30</td><td>971</td><td>46</td></tr> <tr><td>0-40</td><td>1515</td><td>71.7</td></tr> <tr><td>0-60</td><td>2008</td><td>95.1</td></tr> <tr><td>0-90</td><td>2112</td><td>100</td></tr> <tr><td>90-180</td><td>0</td><td>0</td></tr> <tr><td>0-180</td><td>2112</td><td>100</td></tr> </tbody> </table>	Zone	Lumens	% Fixture	0-30	971	46	0-40	1515	71.7	0-60	2008	95.1	0-90	2112	100	90-180	0	0	0-180	2112	100	<table border="1"> <thead> <tr> <th>Average Candela Degrees</th> <th>Average 0° Luminance</th> </tr> </thead> <tbody> <tr><td>37</td><td>47358</td></tr> <tr><td>45</td><td>36399</td></tr> <tr><td>55</td><td>26819</td></tr> <tr><td>65</td><td>23491</td></tr> <tr><td>75</td><td>17305</td></tr> <tr><td>85</td><td>11133</td></tr> </tbody> </table>	Average Candela Degrees	Average 0° Luminance	37	47358	45	36399	55	26819	65	23491	75	17305	85	11133
D	FC									L	W																																																																																				
4'	7.7	4.7	4.8																																																																																												
7'	25.1	8.2	8.6																																																																																												
9'	15.2	10.6	11.2																																																																																												
13'	7.3	15.3	16																																																																																												
16'	4.8	18.9	19.8																																																																																												
Degrees Vertical	Candela																																																																																														
0	1155																																																																																														
5	1121																																																																																														
15	1048																																																																																														
25	949																																																																																														
35	746																																																																																														
45	470																																																																																														
55	281																																																																																														
65	181																																																																																														
75	82																																																																																														
85	18																																																																																														
90	0																																																																																														
Zone	Lumens	% Fixture																																																																																													
0-30	971	46																																																																																													
0-40	1515	71.7																																																																																													
0-60	2008	95.1																																																																																													
0-90	2112	100																																																																																													
90-180	0	0																																																																																													
0-180	2112	100																																																																																													
Average Candela Degrees	Average 0° Luminance																																																																																														
37	47358																																																																																														
45	36399																																																																																														
55	26819																																																																																														
65	23491																																																																																														
75	17305																																																																																														
85	11133																																																																																														
Housing	LE*6C20D010	<table border="1"> <thead> <tr> <th>Degrees Vertical</th> <th>Candela</th> </tr> </thead> <tbody> <tr><td>0</td><td>1962</td></tr> <tr><td>5</td><td>1894</td></tr> <tr><td>15</td><td>1517</td></tr> <tr><td>25</td><td>1052</td></tr> <tr><td>35</td><td>437</td></tr> <tr><td>45</td><td>128</td></tr> <tr><td>55</td><td>27</td></tr> <tr><td>65</td><td>9</td></tr> <tr><td>75</td><td>3</td></tr> <tr><td>85</td><td>0</td></tr> <tr><td>90</td><td>0</td></tr> </tbody> </table>		Degrees Vertical	Candela	0	1962	5	1894	15	1517	25	1052	35	437	45	128	55	27	65	9	75	3	85	0	90	0	<table border="1"> <thead> <tr> <th>Zone</th> <th>Lumens</th> <th>% Fixture</th> </tr> </thead> <tbody> <tr><td>0-30</td><td>1072</td><td>71.8</td></tr> <tr><td>0-40</td><td>1351</td><td>90.5</td></tr> <tr><td>0-60</td><td>1480</td><td>99.1</td></tr> <tr><td>0-90</td><td>1493</td><td>100</td></tr> <tr><td>90-180</td><td>0</td><td>0</td></tr> <tr><td>0-180</td><td>1493</td><td>100</td></tr> </tbody> </table>	Zone	Lumens	% Fixture	0-30	1072	71.8	0-40	1351	90.5	0-60	1480	99.1	0-90	1493	100	90-180	0	0	0-180	1493	100	<table border="1"> <thead> <tr> <th>Average Candela Degrees</th> <th>Average 0° Luminance</th> </tr> </thead> <tbody> <tr><td>37</td><td>24203</td></tr> <tr><td>45</td><td>9900</td></tr> <tr><td>55</td><td>2542</td></tr> <tr><td>65</td><td>1180</td></tr> <tr><td>75</td><td>635</td></tr> <tr><td>85</td><td>252</td></tr> </tbody> </table>	Average Candela Degrees	Average 0° Luminance	37	24203	45	9900	55	2542	65	1180	75	635	85	252																															
Degrees Vertical	Candela																																																																																														
0	1962																																																																																														
5	1894																																																																																														
15	1517																																																																																														
25	1052																																																																																														
35	437																																																																																														
45	128																																																																																														
55	27																																																																																														
65	9																																																																																														
75	3																																																																																														
85	0																																																																																														
90	0																																																																																														
Zone	Lumens	% Fixture																																																																																													
0-30	1072	71.8																																																																																													
0-40	1351	90.5																																																																																													
0-60	1480	99.1																																																																																													
0-90	1493	100																																																																																													
90-180	0	0																																																																																													
0-180	1493	100																																																																																													
Average Candela Degrees	Average 0° Luminance																																																																																														
37	24203																																																																																														
45	9900																																																																																														
55	2542																																																																																														
65	1180																																																																																														
75	635																																																																																														
85	252																																																																																														
Module	EC6C10259035	<table border="1"> <thead> <tr> <th>Degrees Vertical</th> <th>Candela</th> </tr> </thead> <tbody> <tr><td>0</td><td>2314</td></tr> <tr><td>5</td><td>2309</td></tr> <tr><td>15</td><td>1837</td></tr> <tr><td>25</td><td>1109</td></tr> <tr><td>35</td><td>371</td></tr> <tr><td>45</td><td>65</td></tr> <tr><td>55</td><td>6</td></tr> <tr><td>65</td><td>2</td></tr> <tr><td>75</td><td>1</td></tr> <tr><td>85</td><td>0</td></tr> <tr><td>90</td><td>0</td></tr> </tbody> </table>		Degrees Vertical	Candela	0	2314	5	2309	15	1837	25	1109	35	371	45	65	55	6	65	2	75	1	85	0	90	0	<table border="1"> <thead> <tr> <th>Zone</th> <th>Lumens</th> <th>% Fixture</th> </tr> </thead> <tbody> <tr><td>0-30</td><td>1230</td><td>79.4</td></tr> <tr><td>0-40</td><td>1486</td><td>95.9</td></tr> <tr><td>0-60</td><td>1546</td><td>99.8</td></tr> <tr><td>0-90</td><td>1549</td><td>100</td></tr> <tr><td>90-180</td><td>0</td><td>0</td></tr> <tr><td>0-180</td><td>1549</td><td>100</td></tr> </tbody> </table>	Zone	Lumens	% Fixture	0-30	1230	79.4	0-40	1486	95.9	0-60	1546	99.8	0-90	1549	100	90-180	0	0	0-180	1549	100	<table border="1"> <thead> <tr> <th>Average Candela Degrees</th> <th>Average 0° Luminance</th> </tr> </thead> <tbody> <tr><td>37</td><td>18792</td></tr> <tr><td>45</td><td>5032</td></tr> <tr><td>55</td><td>535</td></tr> <tr><td>65</td><td>259</td></tr> <tr><td>75</td><td>169</td></tr> <tr><td>85</td><td>0</td></tr> </tbody> </table>	Average Candela Degrees	Average 0° Luminance	37	18792	45	5032	55	535	65	259	75	169	85	0																															
Degrees Vertical	Candela																																																																																														
0	2314																																																																																														
5	2309																																																																																														
15	1837																																																																																														
25	1109																																																																																														
35	371																																																																																														
45	65																																																																																														
55	6																																																																																														
65	2																																																																																														
75	1																																																																																														
85	0																																																																																														
90	0																																																																																														
Zone	Lumens	% Fixture																																																																																													
0-30	1230	79.4																																																																																													
0-40	1486	95.9																																																																																													
0-60	1546	99.8																																																																																													
0-90	1549	100																																																																																													
90-180	0	0																																																																																													
0-180	1549	100																																																																																													
Average Candela Degrees	Average 0° Luminance																																																																																														
37	18792																																																																																														
45	5032																																																																																														
55	535																																																																																														
65	259																																																																																														
75	169																																																																																														
85	0																																																																																														
Trim	6LBSWNL1	<table border="1"> <thead> <tr> <th>Degrees Vertical</th> <th>Candela</th> </tr> </thead> <tbody> <tr><td>0</td><td>1962</td></tr> <tr><td>5</td><td>1894</td></tr> <tr><td>15</td><td>1517</td></tr> <tr><td>25</td><td>1052</td></tr> <tr><td>35</td><td>437</td></tr> <tr><td>45</td><td>128</td></tr> <tr><td>55</td><td>27</td></tr> <tr><td>65</td><td>9</td></tr> <tr><td>75</td><td>3</td></tr> <tr><td>85</td><td>0</td></tr> <tr><td>90</td><td>0</td></tr> </tbody> </table>		Degrees Vertical	Candela	0	1962	5	1894	15	1517	25	1052	35	437	45	128	55	27	65	9	75	3	85	0	90	0	<table border="1"> <thead> <tr> <th>Zone</th> <th>Lumens</th> <th>% Fixture</th> </tr> </thead> <tbody> <tr><td>0-30</td><td>1230</td><td>79.4</td></tr> <tr><td>0-40</td><td>1486</td><td>95.9</td></tr> <tr><td>0-60</td><td>1546</td><td>99.8</td></tr> <tr><td>0-90</td><td>1549</td><td>100</td></tr> <tr><td>90-180</td><td>0</td><td>0</td></tr> <tr><td>0-180</td><td>1549</td><td>100</td></tr> </tbody> </table>	Zone	Lumens	% Fixture	0-30	1230	79.4	0-40	1486	95.9	0-60	1546	99.8	0-90	1549	100	90-180	0	0	0-180	1549	100	<table border="1"> <thead> <tr> <th>Average Candela Degrees</th> <th>Average 0° Luminance</th> </tr> </thead> <tbody> <tr><td>37</td><td>18792</td></tr> <tr><td>45</td><td>5032</td></tr> <tr><td>55</td><td>535</td></tr> <tr><td>65</td><td>259</td></tr> <tr><td>75</td><td>169</td></tr> <tr><td>85</td><td>0</td></tr> </tbody> </table>	Average Candela Degrees	Average 0° Luminance	37	18792	45	5032	55	535	65	259	75	169	85	0																															
Degrees Vertical	Candela																																																																																														
0	1962																																																																																														
5	1894																																																																																														
15	1517																																																																																														
25	1052																																																																																														
35	437																																																																																														
45	128																																																																																														
55	27																																																																																														
65	9																																																																																														
75	3																																																																																														
85	0																																																																																														
90	0																																																																																														
Zone	Lumens	% Fixture																																																																																													
0-30	1230	79.4																																																																																													
0-40	1486	95.9																																																																																													
0-60	1546	99.8																																																																																													
0-90	1549	100																																																																																													
90-180	0	0																																																																																													
0-180	1549	100																																																																																													
Average Candela Degrees	Average 0° Luminance																																																																																														
37	18792																																																																																														
45	5032																																																																																														
55	535																																																																																														
65	259																																																																																														
75	169																																																																																														
85	0																																																																																														
Lumens	2112	<table border="1"> <thead> <tr> <th>Degrees Vertical</th> <th>Candela</th> </tr> </thead> <tbody> <tr><td>0</td><td>2314</td></tr> <tr><td>5</td><td>2309</td></tr> <tr><td>15</td><td>1837</td></tr> <tr><td>25</td><td>1109</td></tr> <tr><td>35</td><td>371</td></tr> <tr><td>45</td><td>65</td></tr> <tr><td>55</td><td>6</td></tr> <tr><td>65</td><td>2</td></tr> <tr><td>75</td><td>1</td></tr> <tr><td>85</td><td>0</td></tr> <tr><td>90</td><td>0</td></tr> </tbody> </table>		Degrees Vertical	Candela	0	2314	5	2309	15	1837	25	1109	35	371	45	65	55	6	65	2	75	1	85	0	90	0	<table border="1"> <thead> <tr> <th>Zone</th> <th>Lumens</th> <th>% Fixture</th> </tr> </thead> <tbody> <tr><td>0-30</td><td>1230</td><td>79.4</td></tr> <tr><td>0-40</td><td>1486</td><td>95.9</td></tr> <tr><td>0-60</td><td>1546</td><td>99.8</td></tr> <tr><td>0-90</td><td>1549</td><td>100</td></tr> <tr><td>90-180</td><td>0</td><td>0</td></tr> <tr><td>0-180</td><td>1549</td><td>100</td></tr> </tbody> </table>	Zone	Lumens	% Fixture	0-30	1230	79.4	0-40	1486	95.9	0-60	1546	99.8	0-90	1549	100	90-180	0	0	0-180	1549	100	<table border="1"> <thead> <tr> <th>Average Candela Degrees</th> <th>Average 0° Luminance</th> </tr> </thead> <tbody> <tr><td>37</td><td>18792</td></tr> <tr><td>45</td><td>5032</td></tr> <tr><td>55</td><td>535</td></tr> <tr><td>65</td><td>259</td></tr> <tr><td>75</td><td>169</td></tr> <tr><td>85</td><td>0</td></tr> </tbody> </table>	Average Candela Degrees	Average 0° Luminance	37	18792	45	5032	55	535	65	259	75	169	85	0																															
Degrees Vertical	Candela																																																																																														
0	2314																																																																																														
5	2309																																																																																														
15	1837																																																																																														
25	1109																																																																																														
35	371																																																																																														
45	65																																																																																														
55	6																																																																																														
65	2																																																																																														
75	1																																																																																														
85	0																																																																																														
90	0																																																																																														
Zone	Lumens	% Fixture																																																																																													
0-30	1230	79.4																																																																																													
0-40	1486	95.9																																																																																													
0-60	1546	99.8																																																																																													
0-90	1549	100																																																																																													
90-180	0	0																																																																																													
0-180	1549	100																																																																																													
Average Candela Degrees	Average 0° Luminance																																																																																														
37	18792																																																																																														
45	5032																																																																																														
55	535																																																																																														
65	259																																																																																														
75	169																																																																																														
85	0																																																																																														
Efficacy	96.9 Lm/W	<table border="1"> <thead> <tr> <th>Degrees Vertical</th> <th>Candela</th> </tr> </thead> <tbody> <tr><td>0</td><td>2314</td></tr> <tr><td>5</td><td>2309</td></tr> <tr><td>15</td><td>1837</td></tr> <tr><td>25</td><td>1109</td></tr> <tr><td>35</td><td>371</td></tr> <tr><td>45</td><td>65</td></tr> <tr><td>55</td><td>6</td></tr> <tr><td>65</td><td>2</td></tr> <tr><td>75</td><td>1</td></tr> <tr><td>85</td><td>0</td></tr> <tr><td>90</td><td>0</td></tr> </tbody> </table>		Degrees Vertical	Candela	0	2314	5	2309	15	1837	25	1109	35	371	45	65	55	6	65	2	75	1	85	0	90	0	<table border="1"> <thead> <tr> <th>Zone</th> <th>Lumens</th> <th>% Fixture</th> </tr> </thead> <tbody> <tr><td>0-30</td><td>1230</td><td>79.4</td></tr> <tr><td>0-40</td><td>1486</td><td>95.9</td></tr> <tr><td>0-60</td><td>1546</td><td>99.8</td></tr> <tr><td>0-90</td><td>1549</td><td>100</td></tr> <tr><td>90-180</td><td>0</td><td>0</td></tr> <tr><td>0-180</td><td>1549</td><td>100</td></tr> </tbody> </table>	Zone	Lumens	% Fixture	0-30	1230	79.4	0-40	1486	95.9	0-60	1546	99.8	0-90	1549	100	90-180	0	0	0-180	1549	100	<table border="1"> <thead> <tr> <th>Average Candela Degrees</th> <th>Average 0° Luminance</th> </tr> </thead> <tbody> <tr><td>37</td><td>18792</td></tr> <tr><td>45</td><td>5032</td></tr> <tr><td>55</td><td>535</td></tr> <tr><td>65</td><td>259</td></tr> <tr><td>75</td><td>169</td></tr> <tr><td>85</td><td>0</td></tr> </tbody> </table>	Average Candela Degrees	Average 0° Luminance	37	18792	45	5032	55	535	65	259	75	169	85	0																															
Degrees Vertical	Candela																																																																																														
0	2314																																																																																														
5	2309																																																																																														
15	1837																																																																																														
25	1109																																																																																														
35	371																																																																																														
45	65																																																																																														
55	6																																																																																														
65	2																																																																																														
75	1																																																																																														
85	0																																																																																														
90	0																																																																																														
Zone	Lumens	% Fixture																																																																																													
0-30	1230	79.4																																																																																													
0-40	1486	95.9																																																																																													
0-60	1546	99.8																																																																																													
0-90	1549	100																																																																																													
90-180	0	0																																																																																													
0-180	1549	100																																																																																													
Average Candela Degrees	Average 0° Luminance																																																																																														
37	18792																																																																																														
45	5032																																																																																														
55	535																																																																																														
65	259																																																																																														
75	169																																																																																														
85	0																																																																																														
SC	1.29	<table border="1"> <thead> <tr> <th>Degrees Vertical</th> <th>Candela</th> </tr> </thead> <tbody> <tr><td>0</td><td>2314</td></tr> <tr><td>5</td><td>2309</td></tr> <tr><td>15</td><td>1837</td></tr> <tr><td>25</td><td>1109</td></tr> <tr><td>35</td><td>371</td></tr> <tr><td>45</td><td>65</td></tr> <tr><td>55</td><td>6</td></tr> <tr><td>65</td><td>2</td></tr> <tr><td>75</td><td>1</td></tr> <tr><td>85</td><td>0</td></tr> <tr><td>90</td><td>0</td></tr> </tbody> </table>		Degrees Vertical	Candela	0	2314	5	2309	15	1837	25	1109	35	371	45	65	55	6	65	2	75	1	85	0	90	0	<table border="1"> <thead> <tr> <th>Zone</th> <th>Lumens</th> <th>% Fixture</th> </tr> </thead> <tbody> <tr><td>0-30</td><td>1230</td><td>79.4</td></tr> <tr><td>0-40</td><td>1486</td><td>95.9</td></tr> <tr><td>0-60</td><td>1546</td><td>99.8</td></tr> <tr><td>0-90</td><td>1549</td><td>100</td></tr> <tr><td>90-180</td><td>0</td><td>0</td></tr> <tr><td>0-180</td><td>1549</td><td>100</td></tr> </tbody> </table>	Zone	Lumens	% Fixture	0-30	1230	79.4	0-40	1486	95.9	0-60	1546	99.8	0-90	1549	100	90-180	0	0	0-180	1549	100	<table border="1"> <thead> <tr> <th>Average Candela Degrees</th> <th>Average 0° Luminance</th> </tr> </thead> <tbody> <tr><td>37</td><td>18792</td></tr> <tr><td>45</td><td>5032</td></tr> <tr><td>55</td><td>535</td></tr> <tr><td>65</td><td>259</td></tr> <tr><td>75</td><td>169</td></tr> <tr><td>85</td><td>0</td></tr> </tbody> </table>	Average Candela Degrees	Average 0° Luminance	37	18792	45	5032	55	535	65	259	75	169	85	0																															
Degrees Vertical	Candela																																																																																														
0	2314																																																																																														
5	2309																																																																																														
15	1837																																																																																														
25	1109																																																																																														
35	371																																																																																														
45	65																																																																																														
55	6																																																																																														
65	2																																																																																														
75	1																																																																																														
85	0																																																																																														
90	0																																																																																														
Zone	Lumens	% Fixture																																																																																													
0-30	1230	79.4																																																																																													
0-40	1486	95.9																																																																																													
0-60	1546	99.8																																																																																													
0-90	1549	100																																																																																													
90-180	0	0																																																																																													
0-180	1549	100																																																																																													
Average Candela Degrees	Average 0° Luminance																																																																																														
37	18792																																																																																														
45	5032																																																																																														
55	535																																																																																														
65	259																																																																																														
75	169																																																																																														
85	0																																																																																														
UGR	25.8	<table border="1"> <thead> <tr> <th>Degrees Vertical</th> <th>Candela</th> </tr> </thead> <tbody> <tr><td>0</td><td>2314</td></tr> <tr><td>5</td><td>2309</td></tr> <tr><td>15</td><td>1837</td></tr> <tr><td>25</td><td>1109</td></tr> <tr><td>35</td><td>371</td></tr> <tr><td>45</td><td>65</td></tr> <tr><td>55</td><td>6</td></tr> <tr><td>65</td><td>2</td></tr> <tr><td>75</td><td>1</td></tr> <tr><td>85</td><td>0</td></tr> <tr><td>90</td><td>0</td></tr> </tbody> </table>		Degrees Vertical	Candela	0	2314	5	2309	15	1837	25	1109	35	371	45	65	55	6	65	2	75	1	85	0	90	0	<table border="1"> <thead> <tr> <th>Zone</th> <th>Lumens</th> <th>% Fixture</th> </tr> </thead> <tbody> <tr><td>0-30</td><td>1230</td><td>79.4</td></tr> <tr><td>0-40</td><td>1486</td><td>95.9</td></tr> <tr><td>0-60</td><td>1546</td><td>99.8</td></tr> <tr><td>0-90</td><td>1549</td><td>100</td></tr> <tr><td>90-180</td><td>0</td><td>0</td></tr> <tr><td>0-180</td><td>1549</td><td>100</td></tr> </tbody> </table>	Zone	Lumens	% Fixture	0-30	1230	79.4	0-40	1486	95.9	0-60	1546	99.8	0-90	1549	100	90-180	0	0	0-180	1549	100	<table border="1"> <thead> <tr> <th>Average Candela Degrees</th> <th>Average 0° Luminance</th> </tr> </thead> <tbody> <tr><td>37</td><td>18792</td></tr> <tr><td>45</td><td>5032</td></tr> <tr><td>55</td><td>535</td></tr> <tr><td>65</td><td>259</td></tr> <tr><td>75</td><td>169</td></tr> <tr><td>85</td><td>0</td></tr> </tbody> </table>	Average Candela Degrees	Average 0° Luminance	37	18792	45	5032	55	535	65	259	75	169	85	0																															
Degrees Vertical	Candela																																																																																														
0	2314																																																																																														
5	2309																																																																																														
15	1837																																																																																														
25	1109																																																																																														
35	371																																																																																														
45	65																																																																																														
55	6																																																																																														
65	2																																																																																														
75	1																																																																																														
85	0																																																																																														
90	0																																																																																														
Zone	Lumens	% Fixture																																																																																													
0-30	1230	79.4																																																																																													
0-40	1486	95.9																																																																																													
0-60	1546	99.8																																																																																													
0-90	1549	100																																																																																													
90-180	0	0																																																																																													
0-180	1549	100																																																																																													
Average Candela Degrees	Average 0° Luminance																																																																																														
37	18792																																																																																														
45	5032																																																																																														
55	535																																																																																														
65	259																																																																																														
75	169																																																																																														
85	0																																																																																														

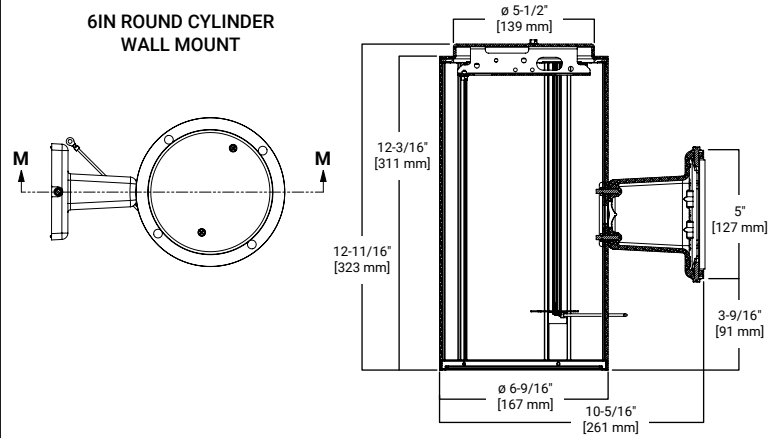
MEDIUM BEAM 45° CUTOFF 50° BEAM (H)		CANDLEPOWER DISTRIBUTION				CONE OF LIGHT				CANDELA TABLE		ZONAL LUMEN SUMMARY			LUMINANCE																																																																																
Test Number	P571669	Downlight 				 <table border="1"> <thead> <tr> <th>D</th> <th>FC</th> <th>L</th> <th>W</th> </tr> </thead> <tbody> <tr> <td>4'</td> <td>122.6</td> <td>3.2</td> <td>3.2</td> </tr> <tr> <td>7'</td> <td>40</td> <td>5.6</td> <td>5.6</td> </tr> <tr> <td>9'</td> <td>24.2</td> <td>7.2</td> <td>7.2</td> </tr> <tr> <td>13'</td> <td>11.6</td> <td>10.4</td> <td>10.4</td> </tr> <tr> <td>16'</td> <td>7.7</td> <td>12.8</td> <td>12.8</td> </tr> </tbody> </table>				D	FC	L	W	4'	122.6	3.2	3.2	7'	40	5.6	5.6	9'	24.2	7.2	7.2	13'	11.6	10.4	10.4	16'	7.7	12.8	12.8	<table border="1"> <thead> <tr> <th>Degrees Vertical</th> <th>Candela</th> </tr> </thead> <tbody> <tr><td>0</td><td>1962</td></tr> <tr><td>5</td><td>1894</td></tr> <tr><td>15</td><td>1517</td></tr> <tr><td>25</td><td>1052</td></tr> <tr><td>35</td><td>437</td></tr> <tr><td>45</td><td>128</td></tr> <tr><td>55</td><td>27</td></tr> <tr><td>65</td><td>9</td></tr> <tr><td>75</td><td>3</td></tr> <tr><td>85</td><td>0</td></tr> <tr><td>90</td><td>0</td></tr> </tbody> </table>	Degrees Vertical	Candela	0	1962	5	1894	15	1517	25	1052	35	437	45	128	55	27	65	9	75	3	85	0	90	0	<table border="1"> <thead> <tr> <th>Zone</th> <th>Lumens</th> <th>% Fixture</th> </tr> </thead> <tbody> <tr><td>0-30</td><td>1072</td><td>71.8</td></tr> <tr><td>0-40</td><td>1351</td><td>90.5</td></tr> <tr><td>0-60</td><td>1480</td><td>99.1</td></tr> <tr><td>0-90</td><td>1493</td><td>100</td></tr> <tr><td>90-180</td><td>0</td><td>0</td></tr> <tr><td>0-180</td><td>1493</td><td>100</td></tr> </tbody> </table>	Zone	Lumens	% Fixture	0-30	1072	71.8	0-40	1351	90.5	0-60	1480	99.1	0-90	1493	100	90-180	0	0	0-180	1493	100	<table border="1"> <thead> <tr> <th>Average Candela Degrees</th> <th>Average 0° Luminance</th> </tr> </thead> <tbody> <tr><td>37</td><td>24203</td></tr> <tr><td>45</td><td>9900</td></tr> <tr><td>55</td><td>2542</td></tr> <tr><td>65</td><td>1180</td></tr> <tr><td>75</td><td>635</td></tr> <tr><td>85</td><td>252</td></tr> </tbody> </table>	Average Candela Degrees	Average 0° Luminance	37	24203	45	9900	55	2542	65	1180	75	635	85	252
D	FC									L	W																																																																																				
4'	122.6	3.2	3.2																																																																																												
7'	40	5.6	5.6																																																																																												
9'	24.2	7.2	7.2																																																																																												
13'	11.6	10.4	10.4																																																																																												
16'	7.7	12.8	12.8																																																																																												
Degrees Vertical	Candela																																																																																														
0	1962																																																																																														
5	1894																																																																																														
15	1517																																																																																														
25	1052																																																																																														
35	437																																																																																														
45	128																																																																																														
55	27																																																																																														
65	9																																																																																														
75	3																																																																																														
85	0																																																																																														
90	0																																																																																														
Zone	Lumens	% Fixture																																																																																													
0-30	1072	71.8																																																																																													
0-40	1351	90.5																																																																																													
0-60	1480	99.1																																																																																													
0-90	1493	100																																																																																													
90-180	0	0																																																																																													
0-180	1493	100																																																																																													
Average Candela Degrees	Average 0° Luminance																																																																																														
37	24203																																																																																														
45	9900																																																																																														
55	2542																																																																																														
65	1180																																																																																														
75	635																																																																																														
85	252																																																																																														
Housing	LE*6C20D010	<table border="1"> <thead> <tr> <th>Degrees Vertical</th> <th>Candela</th> </tr> </thead> <tbody> <tr><td>0</td><td>2314</td></tr> <tr><td>5</td><td>2309</td></tr> <tr><td>15</td><td>1837</td></tr> <tr><td>25</td><td>1109</td></tr> <tr><td>35</td><td>371</td></tr> <tr><td>45</td><td>65</td></tr> <tr><td>55</td><td>6</td></tr> <tr><td>65</td><td>2</td></tr> <tr><td>75</td><td>1</td></tr> <tr><td>85</td><td>0</td></tr> <tr><td>90</td><td>0</td></tr> </tbody> </table>		Degrees Vertical	Candela	0	2314	5	2309	15	1837	25	1109	35	371	45	65	55	6	65	2	75	1	85	0	90	0	<table border="1"> <thead> <tr> <th>Zone</th> <th>Lumens</th> <th>% Fixture</th> </tr> </thead> <tbody> <tr><td>0-30</td><td>1230</td><td>79.4</td></tr> <tr><td>0-40</td><td>1486</td><td>95.9</td></tr> <tr><td>0-60</td><td>1546</td><td>99.8</td></tr> <tr><td>0-90</td><td>1549</td><td>100</td></tr> <tr><td>90-180</td><td>0</td><td>0</td></tr> <tr><td>0-180</td><td>1549</td><td>100</td></tr> </tbody> </table>	Zone	Lumens	% Fixture	0-30	1230	79.4	0-40	1486	95.9	0-60	1546	99.8	0-90	1549	100	90-180	0	0	0-180	1549	100	<table border="1"> <thead> <tr> <th>Average Candela Degrees</th> <th>Average 0° Luminance</th> </tr> </thead> <tbody> <tr><td>37</td><td>18792</td></tr> <tr><td>45</td><td>5032</td></tr> <tr><td>55</td><td>535</td></tr> <tr><td>65</td><td>259</td></tr> <tr><td>75</td><td>169</td></tr> <tr><td>85</td><td>0</td></tr> </tbody> </table>	Average Candela Degrees	Average 0° Luminance	37	18792	45	5032	55	535	65	259	75	169	85	0																															
Degrees Vertical	Candela																																																																																														
0	2314																																																																																														
5	2309																																																																																														
15	1837																																																																																														
25	1109																																																																																														
35	371																																																																																														
45	65																																																																																														
55	6																																																																																														
65	2																																																																																														
75	1																																																																																														
85	0																																																																																														
90	0																																																																																														
Zone	Lumens	% Fixture																																																																																													
0-30	1230	79.4																																																																																													
0-40	1486	95.9																																																																																													
0-60	1546	99.8																																																																																													
0-90	1549	100																																																																																													
90-180	0	0																																																																																													
0-180	1549	100																																																																																													
Average Candela Degrees	Average 0° Luminance																																																																																														
37	18792																																																																																														
45	5032																																																																																														
55	535																																																																																														
65	259																																																																																														
75	169																																																																																														
85	0																																																																																														
Module	EC6C10259035	<table border="1"> <thead> <tr> <th>Degrees Vertical</th> <th>Candela</th> </tr> </thead> <tbody> <tr><td>0</td><td>2314</td></tr> <tr><td>5</td><td>2309</td></tr> <tr><td>15</td><td>1837</td></tr> <tr><td>25</td><td>1109</td></tr> <tr><td>35</td><td>371</td></tr> <tr><td>45</td><td>65</td></tr> <tr><td>55</td><td>6</td></tr> <tr><td>65</td><td>2</td></tr> <tr><td>75</td><td>1</td></tr> <tr><td>85</td><td>0</td></tr> <tr><td>90</td><td>0</td></tr> </tbody> </table>		Degrees Vertical	Candela	0	2314	5	2309	15	1837	25	1109	35	371	45	65	55	6	65	2	75	1	85	0	90	0	<table border="1"> <thead> <tr> <th>Zone</th> <th>Lumens</th> <th>% Fixture</th> </tr> </thead> <tbody> <tr><td>0-30</td><td>1230</td><td>79.4</td></tr> <tr><td>0-40</td><td>1486</td><td>95.9</td></tr> <tr><td>0-60</td><td>1546</td><td>99.8</td></tr> <tr><td>0-90</td><td>1549</td><td>100</td></tr> <tr><td>90-180</td><td>0</td><td>0</td></tr> <tr><td>0-180</td><td>1549</td><td>100</td></tr> </tbody> </table>	Zone	Lumens	% Fixture	0-30	1230	79.4	0-40	1486	95.9	0-60	1546	99.8	0-90	1549	100	90-180	0	0	0-180	1549	100	<table border="1"> <thead> <tr> <th>Average Candela Degrees</th> <th>Average 0° Luminance</th> </tr> </thead> <tbody> <tr><td>37</td><td>18792</td></tr> <tr><td>45</td><td>5032</td></tr> <tr><td>55</td><td>535</td></tr> <tr><td>65</td><td>259</td></tr> <tr><td>75</td><td>169</td></tr> <tr><td>85</td><td>0</td></tr> </tbody> </table>	Average Candela Degrees	Average 0° Luminance	37	18792	45	5032	55	535	65	259	75	169	85	0																															
Degrees Vertical	Candela																																																																																														
0	2314																																																																																														
5	2309																																																																																														
15	1837																																																																																														
25	1109																																																																																														
35	371																																																																																														
45	65																																																																																														
55	6																																																																																														
65	2																																																																																														
75	1																																																																																														
85	0																																																																																														
90	0																																																																																														
Zone	Lumens	% Fixture																																																																																													
0-30	1230	79.4																																																																																													
0-40	1486	95.9																																																																																													
0-60	1546	99.8																																																																																													
0-90	1549	100																																																																																													
90-180	0	0																																																																																													
0-180	1549	100																																																																																													
Average Candela Degrees	Average 0° Luminance																																																																																														
37	18792																																																																																														
45	5032																																																																																														
55	535																																																																																														
65	259																																																																																														
75	169																																																																																														
85	0																																																																																														
Trim	6LBMDH	<table border="1"> <thead> <tr> <th>Degrees Vertical</th> <th>Candela</th> </tr> </thead> <tbody> <tr><td>0</td><td>2314</td></tr> <tr><td>5</td><td>2309</td></tr> <tr><td>15</td><td>1837</td></tr> <tr><td>25</td><td>1109</td></tr> <tr><td>35</td><td>371</td></tr> <tr><td>45</td><td>65</td></tr> <tr><td>55</td><td>6</td></tr> <tr><td>65</td><td>2</td></tr> <tr><td>75</td><td>1</td></tr> <tr><td>85</td><td>0</td></tr> <tr><td>90</td><td>0</td></tr> </tbody> </table>		Degrees Vertical	Candela	0	2314	5	2309	15	1837	25	1109	35	371	45	65	55	6	65	2	75	1	85	0	90	0	<table border="1"> <thead> <tr> <th>Zone</th> <th>Lumens</th> <th>% Fixture</th> </tr> </thead> <tbody> <tr><td>0-30</td><td>1230</td><td>79.4</td></tr> <tr><td>0-40</td><td>1486</td><td>95.9</td></tr> <tr><td>0-60</td><td>1546</td><td>99.8</td></tr> <tr><td>0-90</td><td>1549</td><td>100</td></tr> <tr><td>90-180</td><td>0</td><td>0</td></tr> <tr><td>0-180</td><td>1549</td><td>100</td></tr> </tbody> </table>	Zone	Lumens	% Fixture	0-30	1230	79.4	0-40	1486	95.9	0-60	1546	99.8	0-90	1549	100	90-180	0	0	0-180	1549	100	<table border="1"> <thead> <tr> <th>Average Candela Degrees</th> <th>Average 0° Luminance</th> </tr> </thead> <tbody> <tr><td>37</td><td>18792</td></tr> <tr><td>45</td><td>5032</td></tr> <tr><td>55</td><td>535</td></tr> <tr><td>65</td><td>259</td></tr> <tr><td>75</td><td>169</td></tr> <tr><td>85</td><td>0</td></tr> </tbody> </table>	Average Candela Degrees	Average 0° Luminance	37	18792	45	5032	55	535	65	259	75	169	85	0																															
Degrees Vertical	Candela																																																																																														
0	2314																																																																																														
5	2309																																																																																														
15	1837																																																																																														
25	1109																																																																																														
35	371																																																																																														
45	65																																																																																														
55	6																																																																																														
65	2																																																																																														
75	1																																																																																														
85	0																																																																																														
90	0																																																																																														
Zone	Lumens	% Fixture																																																																																													
0-30	1230	79.4																																																																																													
0-40	1486	95.9																																																																																													
0-60	1546	99.8																																																																																													
0-90	1549	100																																																																																													
90-180	0	0																																																																																													
0-180	1549	100																																																																																													
Average Candela Degrees	Average 0° Luminance																																																																																														
37	18792																																																																																														
45	5032																																																																																														
55	535																																																																																														
65	259																																																																																														
75	169																																																																																														
85	0																																																																																														
Lumens	1493	<table border="1"> <thead> <tr> <th>Degrees Vertical</th> <th>Candela</th> </tr> </thead> <tbody> <tr><td>0</td><td>2314</td></tr> <tr><td>5</td><td>2309</td></tr> <tr><td>15</td><td>1837</td></tr> <tr><td>25</td><td>1109</td></tr> <tr><td>35</td><td>371</td></tr> <tr><td>45</td><td>65</td></tr> <tr><td>55</td><td>6</td></tr> <tr><td>65</td><td>2</td></tr> <tr><td>75</td><td>1</td></tr> <tr><td>85</td><td>0</td></tr> <tr><td>90</td><td>0</td></tr> </tbody> </table>		Degrees Vertical	Candela	0	2314	5	2309	15	1837	25	1109	35	371	45	65	55	6	65	2	75	1	85	0	90	0	<table border="1"> <thead> <tr> <th>Zone</th> <th>Lumens</th> <th>% Fixture</th> </tr> </thead> <tbody> <tr><td>0-30</td><td>1230</td><td>79.4</td></tr> <tr><td>0-40</td><td>1486</td><td>95.9</td></tr> <tr><td>0-60</td><td>1546</td><td>99.8</td></tr> <tr><td>0-90</td><td>1549</td><td>100</td></tr> <tr><td>90-180</td><td>0</td><td>0</td></tr> <tr><td>0-180</td><td>1549</td><td>100</td></tr> </tbody> </table>	Zone	Lumens	% Fixture	0-30	1230	79.4	0-40	1486	95.9	0-60	1546	99.8	0-90	1549	100	90-180	0	0	0-180	1549	100	<table border="1"> <thead> <tr> <th>Average Candela Degrees</th> <th>Average 0° Luminance</th> </tr> </thead> <tbody> <tr><td>37</td><td>18792</td></tr> <tr><td>45</td><td>5032</td></tr> <tr><td>55</td><td>535</td></tr> <tr><td>65</td><td>259</td></tr> <tr><td>75</td><td>169</td></tr> <tr><td>85</td><td>0</td></tr> </tbody> </table>	Average Candela Degrees	Average 0° Luminance	37	18792	45	5032	55	535	65	259	75	169	85	0																															
Degrees Vertical	Candela																																																																																														
0	2314																																																																																														
5	2309																																																																																														
15	1837																																																																																														
25	1109																																																																																														
35	371																																																																																														
45	65																																																																																														
55	6																																																																																														
65	2																																																																																														
75	1																																																																																														
85	0																																																																																														
90	0																																																																																														
Zone	Lumens	% Fixture																																																																																													
0-30	1230	79.4																																																																																													
0-40	1486	95.9																																																																																													
0-60	1546	99.8																																																																																													
0-90	1549	100																																																																																													
90-180	0	0																																																																																													
0-180	1549	100																																																																																													
Average Candela Degrees	Average 0° Luminance																																																																																														
37	18792																																																																																														
45	5032																																																																																														
55	535																																																																																														
65	259																																																																																														
75	169																																																																																														
85	0																																																																																														
Efficacy	68.5 Lm/W	<table border="1"> <thead> <tr> <th>Degrees Vertical</th> <th>Candela</th> </tr> </thead> <tbody> <tr><td>0</td><td>2314</td></tr> <tr><td>5</td><td>2309</td></tr> <tr><td>15</td><td>1837</td></tr> <tr><td>25</td><td>1109</td></tr> <tr><td>35</td><td>371</td></tr> <tr><td>45</td><td>65</td></tr> <tr><td>55</td><td>6</td></tr> <tr><td>65</td><td>2</td></tr> <tr><td>75</td><td>1</td></tr> <tr><td>85</td><td>0</td></tr> <tr><td>90</td><td>0</td></tr> </tbody> </table>		Degrees Vertical	Candela	0	2314	5	2309	15	1837	25	1109	35	371	45	65	55	6	65	2	75	1	85	0	90	0	<table border="1"> <thead> <tr> <th>Zone</th> <th>Lumens</th> <th>% Fixture</th> </tr> </thead> <tbody> <tr><td>0-30</td><td>1230</td><td>79.4</td></tr> <tr><td>0-40</td><td>1486</td><td>95.9</td></tr> <tr><td>0-60</td><td>1546</td><td>99.8</td></tr> <tr><td>0-90</td><td>1549</td><td>100</td></tr> <tr><td>90-180</td><td>0</td><td>0</td></tr> <tr><td>0-180</td><td>1549</td><td>100</td></tr> </tbody> </table>	Zone	Lumens	% Fixture	0-30	1230	79.4	0-40	1486	95.9	0-60	1546	99.8	0-90	1549	100	90-180	0	0	0-180	1549	100	<table border="1"> <thead> <tr> <th>Average Candela Degrees</th> <th>Average 0° Luminance</th> </tr> </thead> <tbody> <tr><td>37</td><td>18792</td></tr> <tr><td>45</td><td>5032</td></tr> <tr><td>55</td><td>535</td></tr> <tr><td>65</td><td>259</td></tr> <tr><td>75</td><td>169</td></tr> <tr><td>85</td><td>0</td></tr> </tbody> </table>	Average Candela Degrees	Average 0° Luminance	37	18792	45	5032	55	535	65	259	75	169	85	0																															
Degrees Vertical	Candela																																																																																														
0	2314																																																																																														
5	2309																																																																																														
15	1837																																																																																														
25	1109																																																																																														
35	371																																																																																														
45	65																																																																																														
55	6																																																																																														
65	2																																																																																														
75	1																																																																																														
85	0																																																																																														
90	0																																																																																														
Zone	Lumens	% Fixture																																																																																													
0-30	1230	79.4																																																																																													
0-40	1486	95.9																																																																																													
0-60	1546	99.8																																																																																													
0-90	1549	100																																																																																													
90-180	0	0																																																																																													
0-180	1549	100																																																																																													
Average Candela Degrees	Average 0° Luminance																																																																																														
37	18792																																																																																														
45	5032																																																																																														
55	535																																																																																														
65	259																																																																																														
75	169																																																																																														
85	0																																																																																														
SC	0.8	<table border="1"> <thead> <tr> <th>Degrees Vertical</th> <th>Candela</th> </tr> </thead> <tbody> <tr><td>0</td><td>2314</td></tr> <tr><td>5</td><td>2309</td></tr> <tr><td>15</td><td>1837</td></tr> <tr><td>25</td><td>1109</td></tr> <tr><td>35</td><td>371</td></tr> <tr><td>45</td><td>65</td></tr> <tr><td>55</td><td>6</td></tr> <tr><td>65</td><td>2</td></tr> <tr><td>75</td><td>1</td></tr> <tr><td>85</td><td>0</td></tr> <tr><td>90</td><td>0</td></tr> </tbody> </table>		Degrees Vertical	Candela	0	2314	5	2309	15	1837	25	1109	35	371	45	65	55	6	65	2	75	1	85	0	90	0	<table border="1"> <thead> <tr> <th>Zone</th> <th>Lumens</th> <th>% Fixture</th> </tr> </thead> <tbody> <tr><td>0-30</td><td>1230</td><td>79.4</td></tr> <tr><td>0-40</td><td>1486</td><td>95.9</td></tr> <tr><td>0-60</td><td>1546</td><td>99.8</td></tr> <tr><td>0-90</td><td>1549</td><td>100</td></tr> <tr><td>90-180</td><td>0</td><td>0</td></tr> <tr><td>0-180</td><td>1549</td><td>100</td></tr> </tbody> </table>	Zone	Lumens	% Fixture	0-30	1230	79.4	0-40	1486	95.9	0-60	1546	99.8	0-90	1549	100	90-180	0	0	0-180	1549	100	<table border="1"> <thead> <tr> <th>Average Candela Degrees</th> <th>Average 0° Luminance</th> </tr> </thead> <tbody> <tr><td>37</td><td>18792</td></tr> <tr><td>45</td><td>5032</td></tr> <tr><td>55</td><td>535</td></tr> <tr><td>65</td><td>259</td></tr> <tr><td>75</td><td>169</td></tr> <tr><td>85</td><td>0</td></tr> </tbody> </table>	Average Candela Degrees	Average 0° Luminance	37	18792	45	5032	55	535	65	259	75	169	85	0																															
Degrees Vertical	Candela																																																																																														
0	2314																																																																																														
5	2309																																																																																														
15	1837																																																																																														
25	1109																																																																																														
35	371																																																																																														
45	65																																																																																														
55	6																																																																																														
65	2																																																																																														
75	1																																																																																														
85	0																																																																																														
90	0																																																																																														
Zone	Lumens	% Fixture																																																																																													
0-30	1230	79.4																																																																																													
0-40	1486	95.9																																																																																													
0-60	1546	99.8																																																																																													
0-90	1549	100																																																																																													
90-180	0	0																																																																																													
0-180	1549	100																																																																																													
Average Candela Degrees	Average 0° Luminance																																																																																														
37	18792																																																																																														
45	5032																																																																																														
55	535																																																																																														
65	259																																																																																														
75	169																																																																																														
85	0																																																																																														
UGR	7.6	<table border="1"> <thead> <tr> <th>Degrees Vertical</th> <th>Candela</th> </tr> </thead> <tbody> <tr><td>0</td><td>2314</td></tr> <tr><td>5</td><td>2309</td></tr> <tr><td>15</td><td>1837</td></tr> <tr><td>25</td><td>1109</td></tr> <tr><td>35</td><td>371</td></tr> <tr><td>45</td><td>65</td></tr> <tr><td>55</td><td>6</td></tr> <tr><td>65</td><td>2</td></tr> <tr><td>75</td><td>1</td></tr> <tr><td>85</td><td>0</td></tr> <tr><td>90</td><td>0</td></tr> </tbody> </table>		Degrees Vertical	Candela	0	2314	5	2309	15	1837	25	1109	35	371	45	65	55	6	65	2	75	1	85	0	90	0																																																																				
Degrees Vertical	Candela																																																																																														
0	2314																																																																																														
5	2309																																																																																														
15	1837																																																																																														
25	1109																																																																																														
35	371																																																																																														
45	65																																																																																														
55	6																																																																																														
65	2																																																																																														
75	1																																																																																														
85	0																																																																																														
90	0																																																																																														

Dimensional and Mounting Details

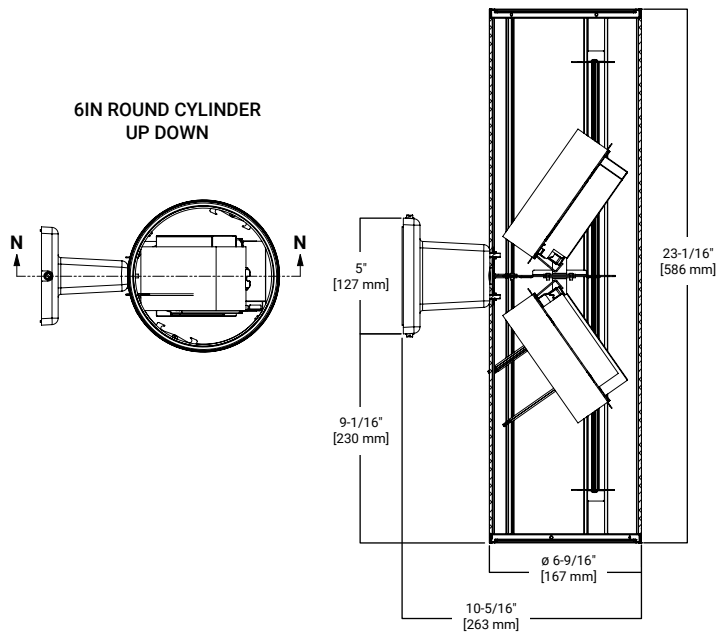
6IN ROUND CYLINDER
SURFACE MOUNT



6IN ROUND CYLINDER
WALL MOUNT

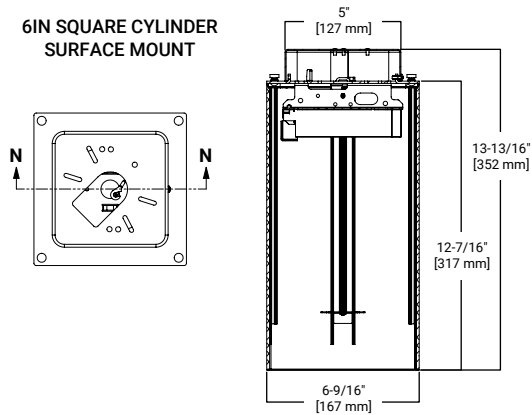


6IN ROUND CYLINDER
UP DOWN

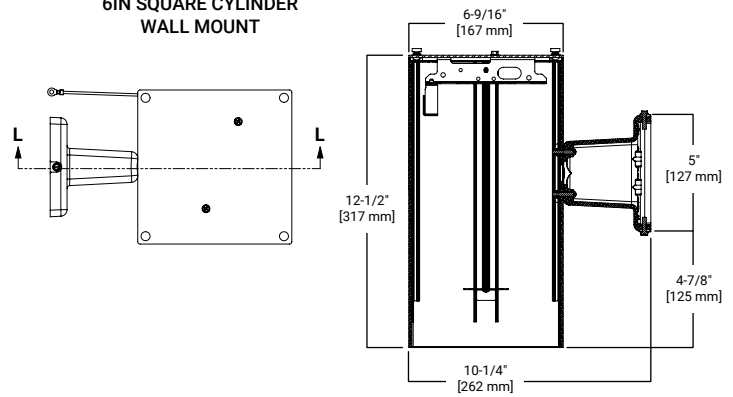


Dimensional and Mounting Details

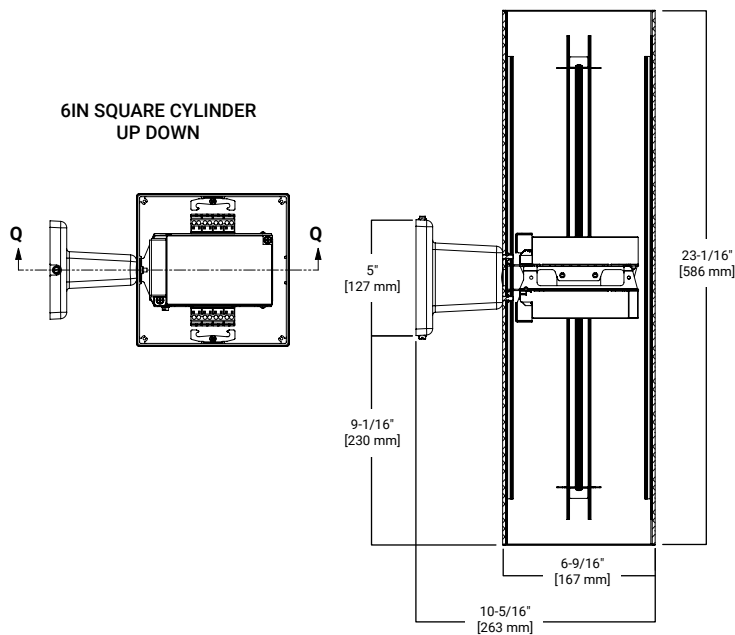
6IN SQUARE CYLINDER
SURFACE MOUNT



6IN SQUARE CYLINDER
WALL MOUNT

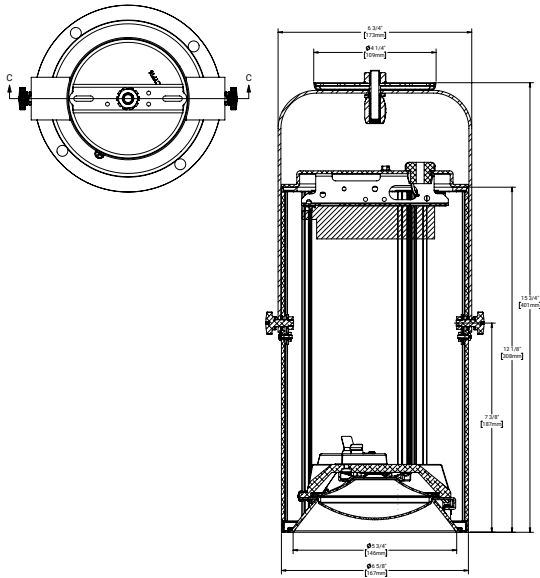


6IN SQUARE CYLINDER
UP DOWN

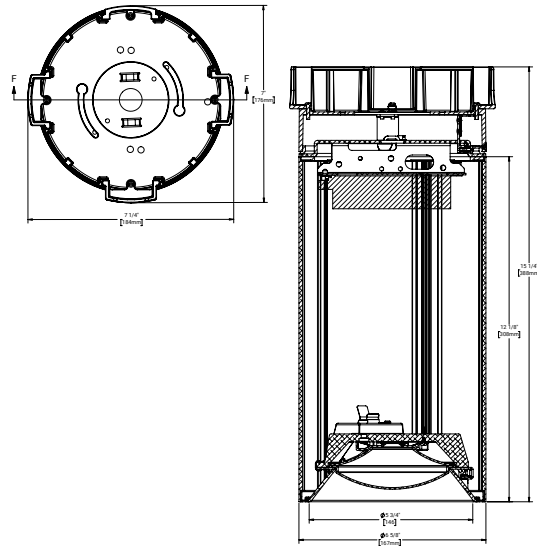


Dimensional and Mounting Details

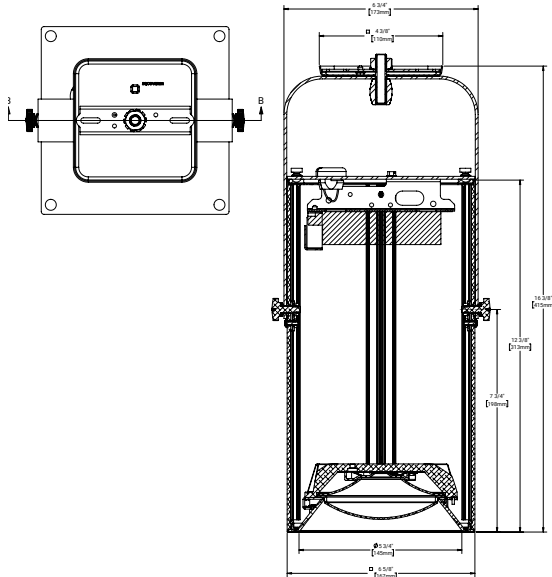
6IN ROUND CYLINDER
STANDARD YOKE MOUNT



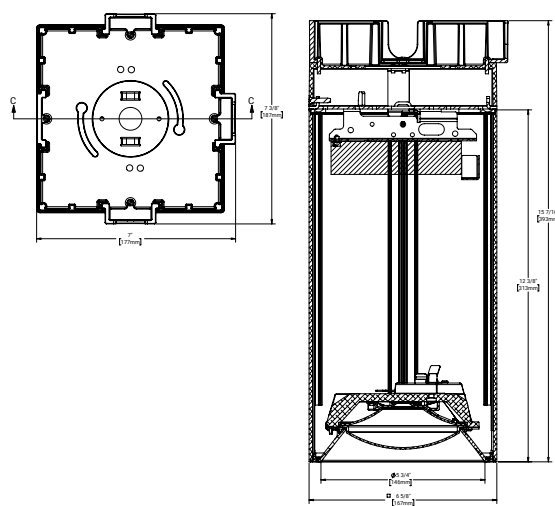
6IN ROUND CYLINDER
CONDUIT CANOPY



6IN SQUARE CYLINDER
STANDARD YOKE MOUNT



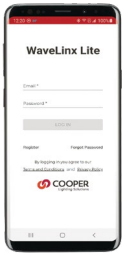
6IN SQUARE CYLINDER
CONDUIT CANOPY



Connected Systems

WaveLinx LITE - WLST Tilemount Sensor

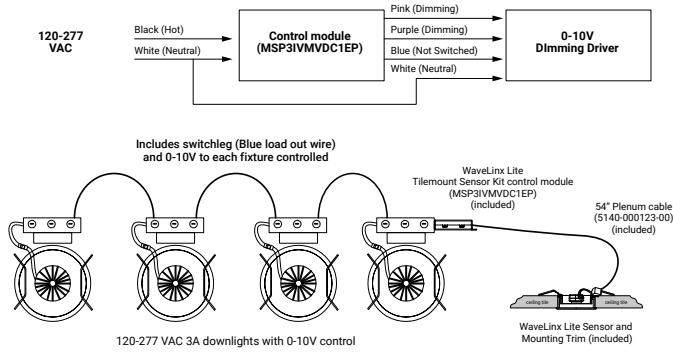
WaveLinx LITE devices only compatible with the WaveLinx LITE system.



- Intuitive Android™ or Apple® iOS® app for basic system code compliant set up and configuration via Bluetooth
- Up to 28 unique areas per project site (WaveLinx LITE Bluetooth network)
- Up to 50 devices for an area, any one of 16 control zones, up to 6 occupancy sets, and custom lighting scenes
- Automatic occupancy or vacancy, sensor sensitivity, daylight dimming, etc. configurable through the app
- Refer to the WaveLinx system specifications for details



WaveLinx LITE WLST Tilemount Wiring Diagram



WaveLinx LITE Bluetooth Enabled System



WaveLinx PRO Wireless – WPST Tilemount Sensor

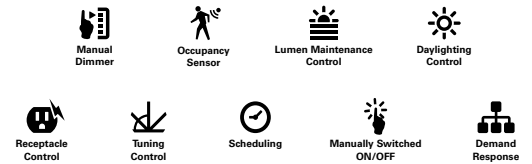
WaveLinx PRO devices only compatible with the WaveLinx PRO system.



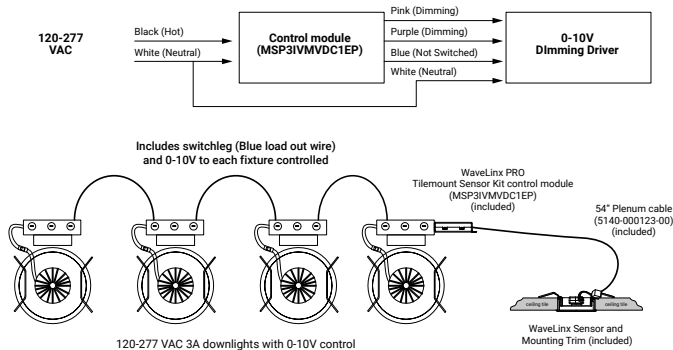
- WaveLinx PRO Wireless functionality configures zones and customizes settings from one secure mobile app
- Automatic code commissioning that meets the strictest codes
- Fixtures and sensors integrate with Wireless Area Controller, Wall Stations, and Control Devices
- Stand-Along Offices or Entire Building Network Installations



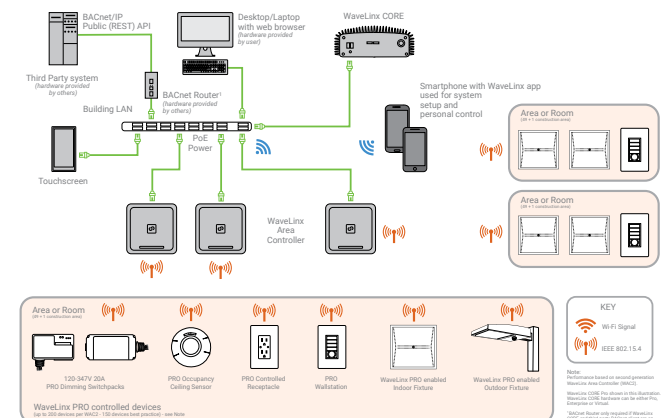
WaveLinx mobile app settings



WaveLinx PRO WPST Tilemount Wiring Diagram



WaveLinx CORE Building Management Integration



Connected Solutions



WaveLinx LITE Wireless Node - WLN

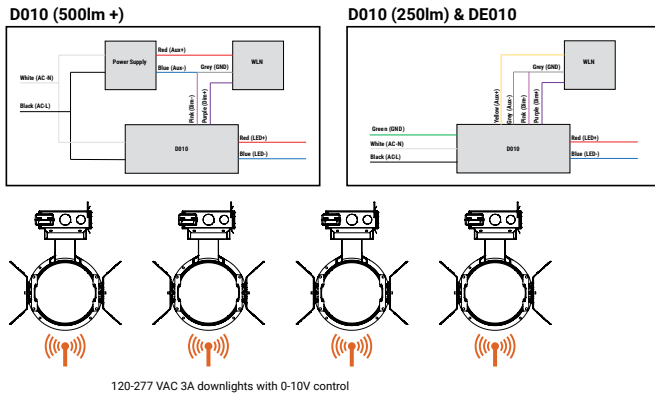
WaveLinx LITE devices only compatible with the WaveLinx LITE system.

- Intuitive Android™ or Apple® iOS® app for basic system code compliant set up and configuration via Bluetooth
- Up to 28 unique areas per project site (WaveLinx LITE Bluetooth network)
- Up to 50 devices for an area, any one of 16 control zones, up to 6 occupancy sets, and custom lighting scenes
- Refer to the WaveLinx system specifications for details
- Not available with BioUp or Tunable White

WaveLinx mobile app settings



WaveLinx LITE Wireless Node (WLN) Wiring Diagram



WaveLinx LITE Bluetooth Enabled System



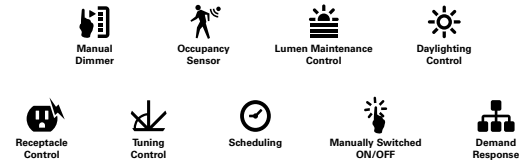
WaveLinx PRO Wireless Node - WPN

WaveLinx PRO devices only compatible with the WaveLinx PRO system.

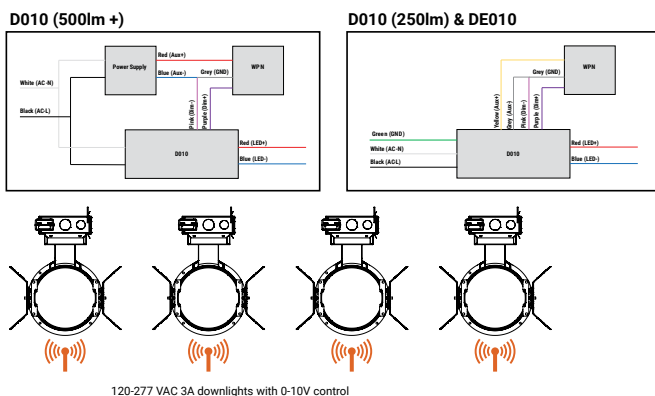
- WaveLinx Wireless functionality configures zones and customizes settings from one secure mobile app
- Automatic code commissioning that meets the strictest codes
- Fixtures and sensors integrate with WaveLinx Area Controller, Wall Stations, and Control Devices
- Stand-Alone Offices or Entire Building Network Installations



WaveLinx mobile app settings



WaveLinx PRO Wireless Node (WPN) Wiring Diagram



WaveLinx CORE Building Management Integration

