

Project		Catalog #		Type	
Prepared by		Notes		Date	



PORTFOLIO

LDSQA3D

3" Square Adjustable / Accent / Downlight

Typical Applications

Office • Education • Healthcare • Hospitality • Retail • Residential

Interactive Menu

- Order Information page 2
- Product Specifications page 5
- Energy & Performance Data page 8
- Photometric Data page 9
- Connected Systems page 12
- Product Warranty

Top Product Features

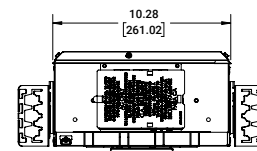
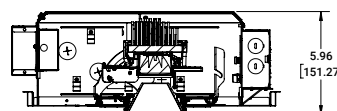
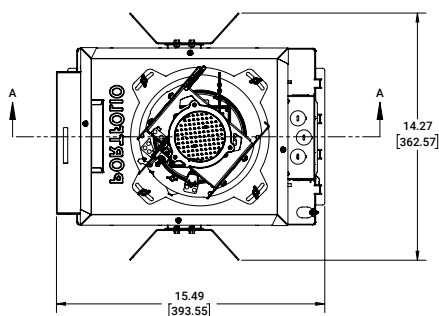
- Z axis adjustment 1/2" and 1"
- Locking 365° rotation and 45° tilt holds any aiming position
- Interchangeable optics in 8°, 12°, 5° increments from 10°-70° and asymmetric patterns
- Available in 250 to 2,400 lumens
- Offered in 90, 97 and 98 CRI
- Media holder accepts two lens media
- 2400K, 2700K, 3000K, 3500K, 4000K, 5000K; 2 SDCM
- D2W™ option from 3000K to 1850K
- W2N tunable white CCT range 2700K to 6500K or 2000K to 5000K
- BioUp tunable 2700K to 5000K and static white 3500K, 4000K, 5000K



Dimensional and Mounting Details

SQUARE STANDARD HEIGHT HOUSING

additional product diagrams



Order Information

SAMPLE ORDER NUMBER: LDSQA3D13R259030D010 3LSQCA1MW

Domestic Preferences ⁽¹⁾	Housing	Lumens <small>Nominal Lumens will vary depending on selected color, CRI, driver and reflector finish)</small>		Distribution ⁽¹⁾⁽²⁾
<p>[blank]=Standard BAA = Buy American Act TAA = Trade Agreements Act</p>	<p>LDSQA3D = 3" adjustable accent recessed downlight LDSQA3DCP = 3" adjustable accent recessed downlight, CCEA Chicago Plenum rated</p>	<p>90/97/98 CRI IC Rated (2x6 construction) 02 = 250 lumens 05 = 500 lumens 09 = 900 lumens 13 = 1300 lumens IC Rated (2x8 construction) 17 = 1700 lumens Non-IC Rated (2x8 construction) 20 = 2000 lumens 90/97 Non-IC Rated (2x8 construction) 24 = 2400 lumens BioUp™ Melanopic Lighting ⁽¹⁾ IC Rated (2x6 construction) 05 = 500 lumens 09 = 900 lumens Non-IC Rated (2x8 construction) 13 = 1300 lumens</p>	<p>W2N™ Tunable White ⁽¹⁾ IC Rated (2x6 construction) 05 = 500 lumens 09 = 900 lumens 13 = 1300 lumens Non-IC Rated (2x8 construction) 17 = 1700 lumens D2W™ Dim-to-Warm ⁽¹⁾ IC Rated (2X6 construction) 02 = 250 lumens 05 = 500 lumens 09 = 900 lumens IC Rated (2x8 construction) 13 = 1300 lumens Non-IC Rated (2x8 construction) 17 = 1700 lumens</p>	<p>[blank] = Order optic separately. Available for 15° and above. R08 = 8° offered in 250 lumens (requires DE010 or D5LT driver) R10 = 10° offered for 250-900 lumens R12 =12° offered up to 1300 lumens R15 = 15° R20 = 20° R25 = 25° R30 = 30° R35 = 35° R40 = 40° R45 = 45° R50 = 50° R55 = 55° R60 = 60° R65 = 65° R70 = 70° (select when using wall wash reflector) RHY = Hyperbolic use with and required with hyperbolic trim Asymmetric Elliptical 2R2040 = Elliptical 20° x 40° optic 2R2050 = Elliptical 20° x 50° optic 2R2060 = Elliptical 20° x 60° optic Optic must be specified with the housing for 12° and below.</p>

CRI/CCT	Voltage	Driver	Driver Options	
<p>90 CRI 9024 = 2400K 9027 = 2700K 9030 = 3000K 9035 = 3500K 9040 = 4000K 9050 = 5000K 97 CRI 9727 = 2700K 9730 = 3000K 9735 = 3500K 9740 = 4000K 98 CRI 9824 = 2400K 9827 = 2700K 9830 = 3000K 9835 = 3500K 9840 = 4000K 9850 = 5000K</p>	<p>D2W™ Dim-to-Warm (≥15° and above optic) 9030D2W = 3000 to 1850K CCT dim to warm⁽¹⁾ BioUp and W2N™ Tunable White (Specify with D5LT, DE010 or LD2 driver, offered with 15° beams and above)⁽²⁾ W2N902050 = Tunable white, 2000 – 5000K CCT (500-1700 lumens) W2N902765 = Tunable white, 2700 – 6500K CCT (500-1700 lumens) B2750 = Boosted cyan tunable white 2700-5000K (500-1300 lumens) B35=Static Bioup 3500K (500-1300 lumens, DE010 only)</p>	<p>[blank] = use with all 90/97 CRI, 98 CRI up to 1700 lumen, Tunable white up to 1300 lumen, BioUp up to 900 lumen 1 = 120V use with 2000 lumen 98 CRI, 1300 lumen BioUp and 1700 lumen W2N 2 = 277V</p>	<p>D010 = UNV 120-277V, 0-10V 1% dimming 3D010 = 347V 0-10V 1% dimming, 900-2400 lumens DTR = 120V phase cut 1% dimming DE010 = UNV 120-277V, 0-10V linear, 0.1% dimming (≥250lm for D2W and ≥500 lm for other CRI/CCT) D5LT = UNV 120-277V DALI DT6 logarithmic 0.1% dimming (≥250lm for D2W and ≥500 lm for other CRI/CCT) DMX = UNV 120-277V DMX/RDM logarithmic 0.1% dimming (≥250lm for D2W and ≥500 lm for other CRI/CCT) ⁽³⁾⁽⁴⁾ DMXC5 = UNV 120-277V DMX/RDM logarithmic 0.1% dimming with RJ45 connection (≥250lm for D2W and ≥500 lm for other CRI/CCT) ⁽³⁾⁽⁴⁾ DLE = UNV 120-277V Lutron Ecosystem 1% dimming, 900 lumens and above LD2 = Lutron DALI UNV 120-277V for tunable white, 900-1300 lumens</p>	<p>[blank] = Integral driver PD = Magnetically guided snap in driver, not offered with DMX or LD2 R = Remote driver, order remote driver separately</p>

Options ⁽³⁾⁽⁴⁾
<p>EMB0D6ST = Bodine® 6W Self Test Emergency Module with Remote Test Switch (500 lumens and above) EM7 = 7W Emergency backup battery with remote test switch (900 lumens and above) EM14 = 14W Emergency backup battery with remote test switch (1700 lumens and above) EM14RSD = 14W Self Diagnostic Replaceable Emergency Battery Pack with Remote Test Switch (1700 lumens and above) EMB0D6ST = Bodine® 6W Self Test Emergency Module with Integral Test Switch Use with 3LSQCBUSR trim (500 lumens and above), Up to .75" ceiling thickness EM7 = 7W Emergency backup battery with Integral test switch Use with 3LSQCBUSR trim (900 lumens and above), Up to .75" ceiling thickness EM14 = 14W Emergency backup battery with Integral test switch Use with 3LSQCBUSR trim (1700 lumens and above), Up to .75" ceiling thickness EM14RSD = 14W Self Diagnostic Replaceable Emergency Battery Pack with Integral Test Switch Use with 3LSQCBUSR trim (1700 lumens and above), Up to .75" ceiling thickness ETRD = Emergency transfer device WPST = Factory installed WaveLinX PRO sensor kit ⁽⁷⁾ WLST = Factory installed WaveLinX LITE sensor kit ⁽⁸⁾ WPN = WaveLinX PRO Wireless Node without sensor (specify with DE010 or D010) ⁽⁹⁾ WLN = WaveLinX LITE Wireless Node without sensor (specify with DE010 or D010) ⁽¹⁰⁾ AWN = Athena Wireless Node (specify with DE010, D010 or LD2 driver)</p>

Continued on next page.

Order Information

Die cast aluminum and non conductive Reflector	Lens (Required for outdoor use)	Flange	Finish
<p>3LSQCDR = Full cone aluminum downlight</p> <p>3LSQCA45R = 45° angle cut cone reflector</p> <p>3LSQCA30R = 30° angle cut cone reflector</p> <p>3LSQCBR = Bevel reflector</p> <p>3LSQCHYR = Hyperbolic reflector (not available with lens, use with RHY optic)</p> <p>3LSQCLSWWR = Lensed single wall wash (use with R70 optic)</p> <p>3LSQCLDWWR = Lensed double wall wash (use with R70 optic)</p> <p>3LSQPBR = Non-conductive, dead front bevel downlight, lens selection required, offered in matte black and white</p> <p>3LSQPA45R = Non-conductive, dead front angle cut, lens selection required, offered in matte black and white</p> <p>3LSQPHR = Downlight pinhole (use flange option 1 or 4)</p> <p>3LSQCSAR = Super adjustable Not available with lens (use flange option 1 or 4)</p> <p>3LSQCBUSR = Shallow Bevel for use with integral emergency or lens</p>	<p>[blank] = Open, hyperbolic, lensed wall wash or super adjustable</p> <p>L = Textured clear lens</p> <p>LP = Prismatic lens</p> <p>LD = Diffuse lens</p>	<p>1 = Self-Flanged (flange matches reflector finish)</p> <p>2 = Self Flanged Painted White</p> <p>4 = Knife edge rimless for millwork and plaster (requires accessory adapter)</p> <p>5 = Self Flanged Painted Black</p>	<p>MW = Matte White</p> <p>MB = Matte Black</p> <p>MMS = Matte Metallic Silver</p>

Media and Optics			
Optics		Media	
2R15SP = 15° Beam	2R50 = 50° Beam	L112 = Red gel filter	L110N = Diffuse Sandblasted Lens
2R20 = 20° Beam	2R55WFL = 55° Beam	L114 = Ultraviolet dichroic filter	L111 = Soft Focus Lens
2R25NFL = 25° Beam	2R60 = 60° Beam	L120 = Red dichroic filter	L113 = Prismatic Spread Lens
2R30 = 30° Beam	2R65 = 65° Beam	L121 = Amber dichroic filter	L115 = Linear Spread Lens
2R35 = 35° Beam	2R70 = 70° Beam	L122 = Yellow dichroic filter	L100MB = Hex cell louver
2R40FL = 40° Beam	2R2040 = Elliptical 20° x 40° optic	L123 = Green dichroic filter	
2R45 = 45° Beam	2R2050 = Elliptical 20° x 50° optic	L124 = Daylight blue dichroic filter	
	2R2060 = Elliptical 20° x 60° optic	L125 = Blue dichroic filter	
		L127 = Cosmetic (2700K) dichroic filter	
		L131 = Amber gel filter	

Accessories		
<p>Rimless Trim Installations</p> <p>PRSQ3 = Rimless plaster lathing ring (required for use with plaster) Use with collar adapter below based on ceiling thickness</p> <p>Millwork and plaster collar adapter (required for millwork and plaster) (Above ceiling access required for splice inspection in > 2 inch ceiling thickness.)</p> <p>CASQ3A = Collar adapter for 0.5-0.75</p> <p>CASQ3B = Collar adapter for 0.875"-1.125" Thick Ceiling</p> <p>CASQ3C = Collar adapter for 1.25" Thick Ceiling</p> <p>CASQ3D = Collar adapter for 1.5"-1.625" Thick Ceiling</p> <p>CASQ3E = Collar adapter for 1.75"-2.00" Thick Ceiling</p> <p>CASQ3F = Collar adapter for 2.00"-2.25" Thick Ceiling</p> <p>CASQ3G = Collar adapter for 2.25"-2.50" Thick Ceiling</p>	<p>Extension Collars For standard reflectors (Above ceiling access required for splice inspection in > 2 inch ceiling thickness)</p> <p>PCESQ3A = Plaster Collar Extender for 0.875"-1.125" Thick Ceiling</p> <p>PCESQ3B = Plaster Collar Extender for 1.25" Thick Ceiling</p> <p>PCESQ3C = Plaster Collar Extender for 1.5"-1.625" Thick Ceiling</p> <p>PCESQ3D = Plaster Collar Extender for 1.75"-2.00" Thick Ceiling</p> <p>PCESQ3E = Plaster Collar Extender for 2.00"-2.25" Thick Ceiling</p> <p>PCESQ3F = Plaster Collar Extender for 2.25"-2.50" Thick Ceiling</p> <p>HB26 = C-channel Bar Hanger, 26" long, Pair</p> <p>RMB22 = Wood Joist Bar Hanger, 22" Long, Pair</p>	<p>WPST = Field installed WaveLinX PRO sensor Kit ⁽⁷⁾</p> <p>WLST = Field installed WaveLinX LITE Sensor Kit ⁽⁸⁾</p>

Continued on next page.

Order Information

Required if remote driver (R) is specified

Remote driver				
Domestic Preferences ⁽¹¹⁾	Length	Lumens	Color Control	Voltage
<p>[blank]=Standard BAA = Buy American Act TAA = Trade Agreements Act</p>	<p>RN100 = Remote 100ft RN50 = Remote 50ft RN25 = Remote 25ft RN15 = Remote 15ft RN5 = Remote 5ft RN2 = Remote 2ft</p>	<p>02 = 250 Lumens 05 = 500 Lumens 09 = 900 Lumens 13 = 1300 Lumens Non-IC 17 = 1700 Lumens 20 = 2000 Lumens 24 = 2400 Lumens</p>	<p>[blank] = 90, 97 and 98 CRI (98 CRI ≤1700 lumens) 9030D2W = 90 CRI (min), 3000 to 1850K CCT dim to warm – offered (≤1700 lumens)</p> <p>BioUp and Tunable White (Specify with D5LT or DE010 driver) W2N902050 = Tunable white, 2000 – 5000K CCT (500-1300 lumens) W2N902765 = Tunable white, 2700 – 6500K CCT (500-1300 lumens) B2750 = Boosted cyan tunable white 2700-5000K (500-900 lumens) B35 = Static Bioup 3500K (500-900 lumens, DE010 only) B40 = Static Bioup 4000K (500-900 lumens, DE010 only) B50 = Static Bioup 5000K (500-900 lumens, DE010 only)</p>	<p>[blank] = use with all 90/97 CRI, 98 CRI up to 1700 lumen, Tunable white up to 1300 lumen, BioUp up to 900 lumen 1 = 120V use with 2000 lumen 98 CRI, 1300 lumen BioUp and 1700 lumen W2N 2 = 277V</p>

Remote driver	
Driver	Options
<p>D010 = UNV 120-277V, 0-10V 1% dimming 3D010 = 347V 0-10V 1% dimming 900-2400 lumens DTR = 120V phase cut 1% dimming DE010 = UNV 120-277V, 0-10V linear, 0.1% dimming 500-2400 lumens D5LT = UNV 120-277V DALI DT6 logarithmic 0.1% dimming 500-2400 lumens DMX = UNV 120-277V DMX/RDM logarithmic 0.1% dimming, 500-2400 lumens ⁽³⁾ DMXC5 = UNV 120-277V DMX/RDM logarithmic 0.1% dimming with RJ45 connection, 500-2400 lumens ⁽³⁾ DLE = UNV 120-277V Lutron Ecosystem 1% dimming 900 lumens and above, limited to 25'</p>	<p>EMBOD6ST = Bodine® 6W Self Test Emergency Module with Remote Test Switch (500 lumens and above) EM7 = 7W integral emergency backup battery with remote test switch (900 lumens and above) EM14 = 14W integral emergency backup battery with remote test switch (1700 lumens and above) EM14RSD = 14W Self Diagnostic Replaceable Emergency Battery Pack with Integral Test Switch (1700 lumens and above) ETRD = Emergency transfer device WPST = Factory installed WaveLinX Pro sensor kit ⁽⁷⁾ WLST = Factory installed WaveLinX LITE sensor kit ⁽⁸⁾ WPN = WaveLinX PRO Wireless Node without sensor specify with DE010 or D010 ⁽⁹⁾ WLN = WaveLinX LITE Wireless Node without sensor specify with DE010 or D010 ⁽¹⁰⁾ AWN = Athena Wireless Node specify with DE010 or D5LT</p>

- Notes:**
- Offered with 15° beams up to 1300 lumens and 25° and above up to 1700 lumens.
 - D2W, W2N and Bio Up accommodate one media.
 - DMX fixtures default to full on upon loss of DMX signal.
 - DMX, DMXC5 require above ceiling access and not available with magnetic snap in driver option.
 - Battery pack and node options require ceiling access
 - Not compatible with 347V, Chicago plenum, or IC rated (insulated ceilings)
 - WPST = WaveLinX PRO wireless sensor kit for daylight dimming, PIR motion sensing, and optional RLTS - Real Time Location Services, use with 0-10V only.
 - WLST = WaveLinX LITE tile mount sensor kit for daylight dimming, PIR motion sensing, use with D010 only (Refer to WaveLinX LITE system specifications)
 - WPN = WaveLinX PRO wireless node provides luminaire-level control with scene and zone configuration without an integrated sensor; Connects wirelessly with daylight dimming sensor and PIR motion sensor if desired. Use with 0-10V driver only.
 - WLN = WaveLinX LITE wireless node provides luminaire-level control with scene and zone configuration without an integrated sensor; Connects wirelessly with daylight dimming sensor and PIR motion sensor if desired. Use with 0-10V driver only.
 - Only product configurations with these designated prefixes are built to be compliant with the Buy American Act of 1933 (BAA) or Trade Agreements Act of 1979 (TAA), respectively. Please refer to [DOMESTIC PREFERENCES](#) website for more information. Components shipped separately may be separately analyzed under domestic preference requirements. Offered with spun aluminum narrow (N), medium (M) and wide (W) trims.

Product Specifications

Housing

- Die formed 18-gauge CRS housing is painted matte black for a visibly dark interior
- Square Aluminum collar accommodates ceilings up to .3/4" thick.
- Extension collars offered to accommodate up to 2-1/2"
- Top accessible
- Ships with an overspray protector installed
- Plaster lathing ring attaches to collar providing a flush transition with the ceiling
- Collar rotates +/- 7.5° providing precise alignment

Thermal Management/Heat sink

- Forged aluminum heat sink conducts heat away from the LED array for optimum performance and longer life
- Lumen output shall not decrease by more than 10% over the rated of 55,000 hours (L90 > 55,000 hours)
- Heat sink with LED can be serviced from below

Universal Mounting Bracket

- Accepts 1/2" Electric Metallic Tube (EMT), C-channel and bar hangers
- Adjusts 5" vertically from above and below the ceiling

Junction Box

- Listed for eight #12 AWG 90° C splice conductors, four in, four out plus ground
- Seven 1/2" conduit pry-outs
- Access to junction box through panel inside of housing
- Lever connectors for simple push in wiring

LED Array

- Proximity phosphors over chip on board LEDs provide a uniform source with high efficiency and no pixilation
- Available in 2400, 2700, 3000, 3500, 4000 and 5000K CCT, 90 CRI minimum, R9 greater than 50 and color accuracy within 2 SDCM. L78 55,000
- Optional full spectrum color at 2400, 2700, 3000, 3500 and 4000 K CCT, 95 CRI minimum with R1-R15 values ranging from 92 to 100, excellent TM-30 metrics; Rf ranging from 96-98 and Rg from 99-100. L70 55,000 hours

VividTune

- D2W™ dim-to-warm option shifts color temperature from 3000 to 1850 K CCT as fixture dims mimicking the black body dimming response of halogen lamps
- Optional white color tuning available in two ranges; 2000 – 5000K and 2700 – 6500K CCT
- BioUp - Tunable white CCT range 2700K to 5000K Provides the biological effectiveness of natural sunlight, with color temperatures that are more comfortable for indoor environments

Optic

- Polarized turn and lock mounting aligns optic to source allowing rapid aim and focus in the field
- Silicone molded TIR optic produces smooth beams available from 8° to 70° distribution patterns in 5° increments
- Asymmetric options in 20x40, 20x50 and 20x60 distributions
- Integral media holder accepts one or two 2" diameter 3.0mm thick color filters, lenses or louvers, order media separately

Reflector

- Trim attaches simply and securely with 16 neodymium magnets
- Field interchangeable open and lensed reflectors are available in downlight, wall wash and adjustable accent distribution patterns, also available in a pinhole aperture
- Available in open and lens versions, lens versions are wet location listed and suitable for use in shower applications and steam
- Lensed option offered in prismatic, diffuse and lightly textured translucent clear

Wall Wash Reflector

- Lensed wall wash reflector offered in single, double and corner wall wash providing even vertical illumination with minimal source brightness.
- Flange offered with the same finish as the reflector or painted black or white.

Trim Accessories

- Plaster lathing ring accessory provides a flush transition and snaps to the plaster collar
- Plaster and millwork collar adapter accessory features an integrated depth guide designed to ensure accurate installation and a seamless, flush transition with the ceiling

Driver

Remote or integral

- Standard UNV 120-277V or 347V constant current driver provides noise free operation
- 120V, flicker-free dimming from 100% to 1% with phase cut control
- Continuous, flicker-free dimming from 100% to 1% with 0-10V analog control
- Optional DALI, DMX and Lutron control
- Optional magnetically guided snap in driver for ease of maintenance with D010, DTR, DE010 D5LT and DLE drivers

Connected Lighting System

Two WaveLinx connected solutions to choose from. Refer to WaveLinx system specifications and application guides for details.

[WaveLinx PRO Tilemount Sensor Kit](#)

- WaveLinx PRO WPST tilemount sensor kit offers daylight dimming, PIR motion sensing, scene and zone configuration, automatic commissioning; and optional RLTS - Real Time Location Services available.

[WaveLinx PRO Wireless Node](#)

- WaveLinx PRO WPN wireless node provides luminaire-level control with scene and zone configuration without an integrated sensor; Connects wirelessly with daylight dimming sensor and PIR motion sensor if desired. Use with 0-10V driver only. **Note:** Not compatible with 347V or Chicago plenum.

[WaveLinx LITE Tilemount Sensor Kit](#)

- WaveLinx LITE WLST tilemount sensor kit offers daylight dimming and PIR motion sensing, scene and grouping configuration.

[WaveLinx LITE Wireless Node](#)

- WaveLinx LITE WLN wireless node provides luminaire level control with scene and zone configuration without an integrated sensor; Connects wirelessly with daylight dimming sensor and PIR motion sensor if desired. Use with 0-10V driver only. **Note:** Not compatible with 347V or Chicago plenum.

WaveLinx Tilemount Sensor Kits Application

- The WPST and WLST tilemount sensor kits include a control module mounted on the luminaire junction box via 1/2" knock-out, and a tilemount sensor on 54-inch whip; for ceiling installation by direct-mount spring clips or via mounting bracket in octagon ceiling boxes.
- The WPST and WLST tilemount sensor kits may be ordered as factory installed on the luminaire, or ordered separately as a field installed accessory kit.
- **Note: WaveLinx PRO devices are only compatible with the WaveLinx PRO system.**
- **Note: WaveLinx LITE devices are only compatible with the WaveLinx LITE system.**

Compliance

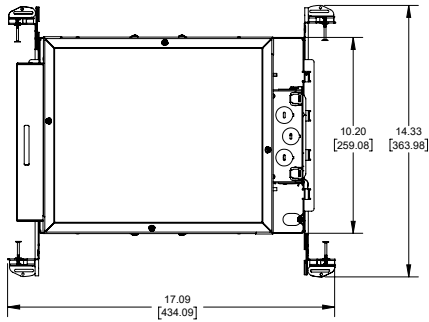
- cULus Certified to UL 1598 / C22.2 No. 250.0 suitable for wet locations with lensed trims (required for outdoor use); damp location with open trims
- Wet location, steam room (up to 40°C / 104°F, up to 1300 lumens; 25°C up to 2400 lumens), covered ceilings only and IP65, below the ceiling only with lensed trims
- cULus listed for 25° C ambient environments
- Insulated ceiling (IC) rated (see ordering information).
- Airtight per ASTM-E283
- FCC CFR Title 47 Part 15 Class B at 120VAC and Class A at 277VAC
- Declare compliant, LBC Red List approved
- RoHS compliant
- Photometric testing in accordance with IES LM-79-08
- Lumen maintenance projections in accordance with IES LM-80-08 and TM-21-11
- Can be used for State of California Title 24 high efficacy LED compliance under JA8, reference Modernized Appliance Efficiency Database System (MAEDBS) for 2019 JA8 High Efficacy Lighting

Warranty

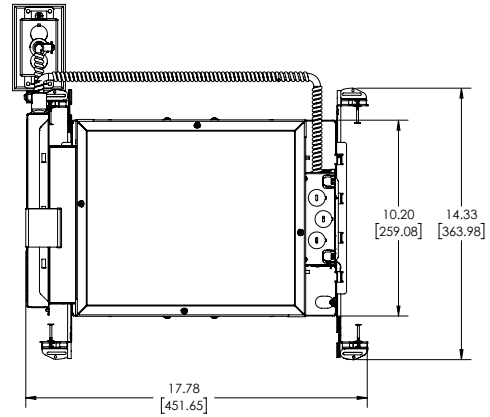
- Five year limited warranty, consult website for details. www.cooperlighting.com/legal

Dimensional and Mounting Details

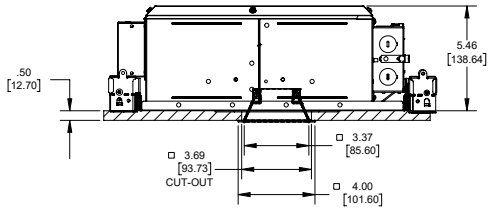
2x6 HOUSING



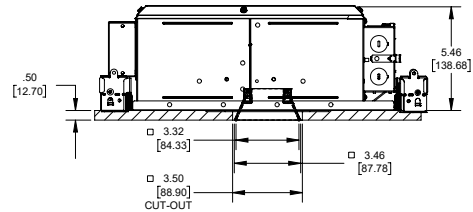
2x6 EMERGENCY HOUSING



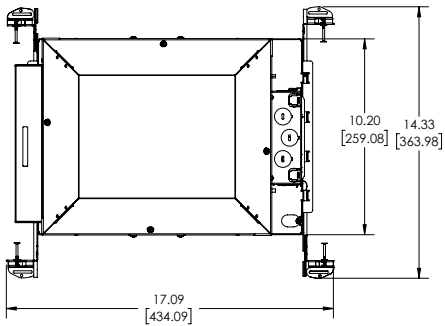
FLANGED TRIM



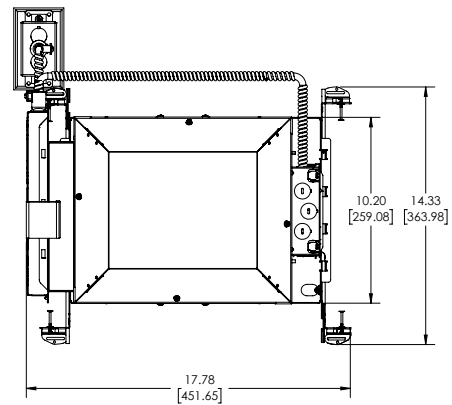
KNIFE EDGE TRIM



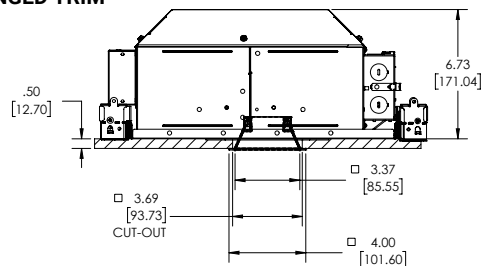
2x8 HOUSING



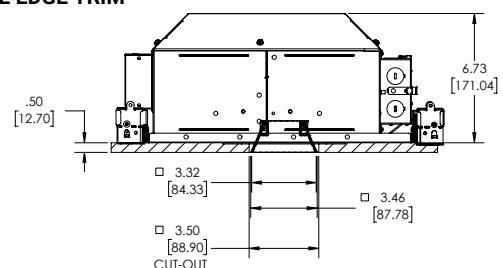
2x8 EMERGENCY HOUSING



FLANGED TRIM



KNIFE EDGE TRIM



Trim Finishes

Square Painted Finishes



Matte Black
(MB)



Matte White
(MW)

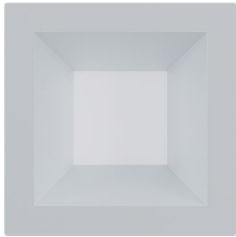


Bronze
(BZ)

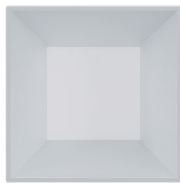


Matte Metallic Silver
(MMS)

Trim Type



Standard Flange



Knife Edge

Energy and Performance Data

DTR DRIVER ENERGY DATA

	250 lumen	500 lumen	900 lumen	1300 lumen	1700 lumen	2000 lumen	2400 lumen
Input Power (W)	4.2	8.7	13.5	16.5	23.3	30.1	30.8
Input Current (A)	0.04	0.07	0.11	0.14	0.19	0.24	0.26
PF	>0.9	>0.9	>0.9	>0.9	>0.9	>0.9	>0.9
THDi (%)	18.01	7.8	7.64	8.32	7.6	7.93	7.58
Inrush Current (A)	1.6	1.7	4.9	0.5	4.8	1.2	12.1
Inrush Duration (µs)	33	30	33	32	30	43	44
Sound (dBA)	<22	<22	<22	<22	<22	<22	<22

D010 DRIVER ENERGY DATA

	250 lumen		500 lumen		900 lumen		1300 lumen		1700 lumen	
	120V	277V	120V	277V	120V	277V	120V	277V	120V	277V
Input Power (W)	5.1	5.3	7.2	7.6	11.7	11.9	15.6	16.0	21.4	21.5
Input Current (A)	0.04	0.02	0.06	0.03	0.10	0.05	0.13	0.06	0.18	0.08
PF	>0.9	>0.9	>0.9	>0.9	>0.9	>0.9	>0.9	>0.9	>0.9	>0.9
THDi (%)	18.7	19.0	8.25	12.8	6.96	9.2	6.11	10.2	6.74	8.1
Inrush Current (A)	4.5	9.7	4.6	10.5	4.6	10.5	5.2	11.9	5.3	11.9
Inrush Duration (µs)	41	19	43	19	43	19	40	19	46	17
Sound (dBA)	<22	<22	<22	<22	<22	<22	<22	<22	<22	<22

	2000 lumen		2400 lumen	
	120V	277V	120V	277V
Input Power (W)	30.6	31.9	30.3	30.1
Input Current (A)	0.26	0.13	0.25	0.11
PF	>0.9	>0.9	>0.9	>0.9
THDi (%)	9.11	7.2	8.39	7.7
Inrush Current (A)	6.3	14.7	6.1	13.6
Inrush Duration (µs)	43	21	40	16
Sound (dBA)	<22	<22	<22	<22

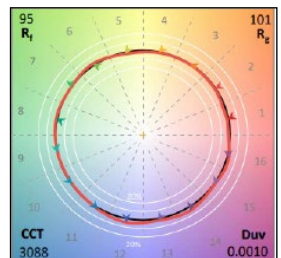
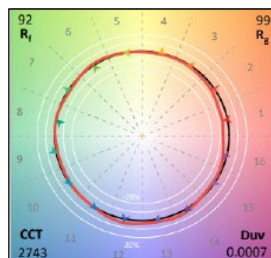
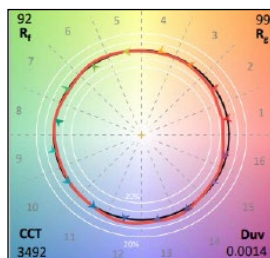
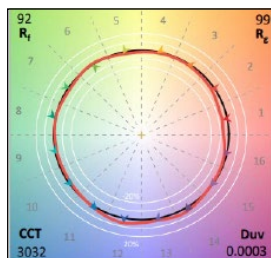
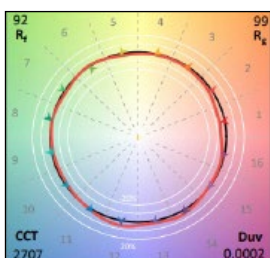
Minimum starting temperature -30°C (-22°F)*
(Nominal input 120-277VAC & 100% of rated output power)

Sound Rating: Class A standards

Notes:

Emergency Battery packs are rated for a minimum starting temperature of 0°C.

COLOR METRICS - TM-30-18 & CRI/CIE



9027		
TM-30-18	R _f	92
	R _g	99
CRI/CIE	R _a	92
	R ₉	50

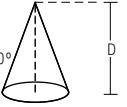
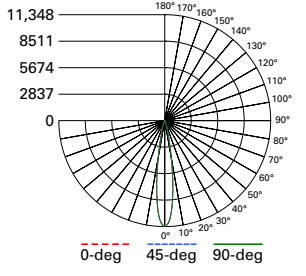
9030		
TM-30-18	R _f	92
	R _g	99
CRI/CIE	R _a	93
	R ₉	51

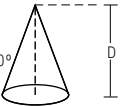
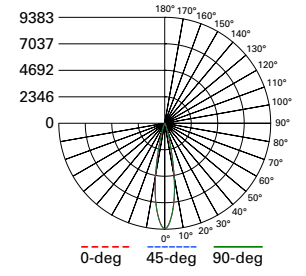
9035		
TM-30-18	R _f	92
	R _g	99
CRI/CIE	R _a	93
	R ₉	58

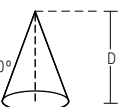
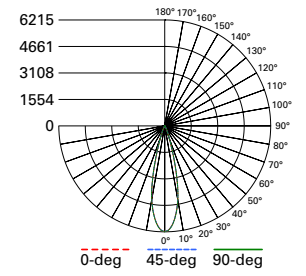
9727		
TM-30-18	R _f	92
	R _g	99
CRI/CIE	R _a	97
	R ₉	85

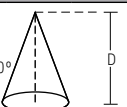
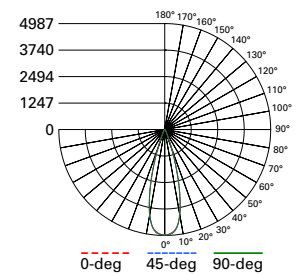
9730		
TM-30-18	R _f	101
	R _g	95
CRI/CIE	R _a	97
	R ₉	83

Photometric Data

15° Optic		CANDLEPOWER DISTRIBUTION		CONE OF LIGHT		CANDELA TABLE		ZONAL LUMEN SUMMARY			LUMINANCE																					
Test Number	P1219744	Downlight				Degrees Vertical	 Candela	Zone	Lumens	% Fixture	Average Candela Degrees	Average 0° Luminance																				
Housing	LDSQA-3D13R159035D010			<table border="1"> <thead> <tr> <th>D</th> <th>FC</th> <th>L</th> <th>W</th> </tr> </thead> <tbody> <tr> <td>6'</td> <td>315.2</td> <td>1.6</td> <td>1.6</td> </tr> <tr> <td>8'</td> <td>177.3</td> <td>2.2</td> <td>2.2</td> </tr> <tr> <td>10'</td> <td>113.5</td> <td>2.8</td> <td>2.8</td> </tr> <tr> <td>12'</td> <td>78.8</td> <td>3.4</td> <td>3.4</td> </tr> </tbody> </table>		D	FC	L	W	6'	315.2	1.6	1.6	8'	177.3	2.2	2.2	10'	113.5	2.8	2.8	12'	78.8	3.4	3.4	0	11348	0-30	1243	97.6	45	731
D	FC	L	W																													
6'	315.2	1.6	1.6																													
8'	177.3	2.2	2.2																													
10'	113.5	2.8	2.8																													
12'	78.8	3.4	3.4																													
Trim	3LSQCDD1MW					5	9193	0-40	1267	99.4	55	601																				
Lumens	1274					15	1284	0-60	1272	99.9	65	408																				
Efficacy	87.3 Lm/W					25	201	0-90	1274	100	75	665																				
SC	0.3					35	24	90-180	0	0	85	0																				
UGR	0					45	3	0-180	1274	100																						
						55	2																									
						65	1																									
						75	1																									
						85	0																									
						90	0																									

20° Optic		CANDLEPOWER DISTRIBUTION		CONE OF LIGHT		CANDELA TABLE		ZONAL LUMEN SUMMARY			LUMINANCE																					
Test Number	P1219745	Downlight				Degrees Vertical	 Candela	Zone	Lumens	% Fixture	Average Candela Degrees	Average 0° Luminance																				
Housing	LDSQA-3D13R209035D010			<table border="1"> <thead> <tr> <th>D</th> <th>FC</th> <th>L</th> <th>W</th> </tr> </thead> <tbody> <tr> <td>6'</td> <td>260.6</td> <td>2</td> <td>2</td> </tr> <tr> <td>8'</td> <td>146.6</td> <td>2.6</td> <td>2.6</td> </tr> <tr> <td>10'</td> <td>93.8</td> <td>3.4</td> <td>3.4</td> </tr> <tr> <td>12'</td> <td>65.2</td> <td>4</td> <td>4</td> </tr> </tbody> </table>		D	FC	L	W	6'	260.6	2	2	8'	146.6	2.6	2.6	10'	93.8	3.4	3.4	12'	65.2	4	4	0	9383	0-30	1262	97.6	45	974
D	FC	L	W																													
6'	260.6	2	2																													
8'	146.6	2.6	2.6																													
10'	93.8	3.4	3.4																													
12'	65.2	4	4																													
Trim	3LSQCDD1MW					5	7878	0-40	1285	99.4	55	601																				
Lumens	1293					15	1640	0-60	1292	99.9	65	408																				
Efficacy	88.6 Lm/W					25	181	0-90	1293	100	75	0																				
SC	0.34					35	24	90-180	0	0	85	0																				
UGR	0					45	4	0-180	1293	100																						
						55	2																									
						65	1																									
						75	0																									
						85	0																									
						90	0																									

25° Optic		CANDLEPOWER DISTRIBUTION		CONE OF LIGHT		CANDELA TABLE		ZONAL LUMEN SUMMARY			LUMINANCE																					
Test Number	P1219746	Downlight				Degrees Vertical	 Candela	Zone	Lumens	% Fixture	Average Candela Degrees	Average 0° Luminance																				
Housing	LDSQA-3D13R259035D010			<table border="1"> <thead> <tr> <th>D</th> <th>FC</th> <th>L</th> <th>W</th> </tr> </thead> <tbody> <tr> <td>6'</td> <td>172.6</td> <td>2.6</td> <td>2.6</td> </tr> <tr> <td>8'</td> <td>97.1</td> <td>3.4</td> <td>3.4</td> </tr> <tr> <td>10'</td> <td>62.2</td> <td>4.4</td> <td>4.4</td> </tr> <tr> <td>12'</td> <td>43.2</td> <td>5.2</td> <td>5.2</td> </tr> </tbody> </table>		D	FC	L	W	6'	172.6	2.6	2.6	8'	97.1	3.4	3.4	10'	62.2	4.4	4.4	12'	43.2	5.2	5.2	0	6215	0-30	1272	96.9	45	974
D	FC	L	W																													
6'	172.6	2.6	2.6																													
8'	97.1	3.4	3.4																													
10'	62.2	4.4	4.4																													
12'	43.2	5.2	5.2																													
Trim	3LSQCDD1MW					5	5719	0-40	1303	99.3	55	601																				
Lumens	1313					15	2179	0-60	1311	99.8	65	408																				
Efficacy	89.9 Lm/W					25	281	0-90	1313	100	75	665																				
SC	0.45					35	30	90-180	0	0	85	0																				
UGR	0					45	4	0-180	1313	100																						
						55	2																									
						65	1																									
						75	1																									
						85	0																									
						90	0																									

30° Optic		CANDLEPOWER DISTRIBUTION		CONE OF LIGHT		CANDELA TABLE		ZONAL LUMEN SUMMARY			LUMINANCE																					
Test Number	P1219747	Downlight				Degrees Vertical	 Candela	Zone	Lumens	% Fixture	Average Candela Degrees	Average 0° Luminance																				
Housing	LDSQA-3D13R309035D010			<table border="1"> <thead> <tr> <th>D</th> <th>FC</th> <th>L</th> <th>W</th> </tr> </thead> <tbody> <tr> <td>6'</td> <td>138.5</td> <td>3</td> <td>3</td> </tr> <tr> <td>8'</td> <td>77.9</td> <td>4</td> <td>4</td> </tr> <tr> <td>10'</td> <td>49.9</td> <td>5</td> <td>5</td> </tr> <tr> <td>12'</td> <td>34.6</td> <td>6</td> <td>6</td> </tr> </tbody> </table>		D	FC	L	W	6'	138.5	3	3	8'	77.9	4	4	10'	49.9	5	5	12'	34.6	6	6	0	4987	0-30	1255	96.7	45	1218
D	FC	L	W																													
6'	138.5	3	3																													
8'	77.9	4	4																													
10'	49.9	5	5																													
12'	34.6	6	6																													
Trim	3LSQCDD1MW					5	4832	0-40	1287	99.2	55	601																				
Lumens	1297					15	2476	0-60	1295	99.8	65	408																				
Efficacy	88.8 Lm/W					25	281	0-90	1297	100	75	665																				
SC	0.51					35	33	90-180	0	0	85	0																				
UGR	0					45	5	0-180	1297	100																						
						55	2																									
						65	1																									
						75	1																									
						85	0																									
						90	0																									

Photometric Data

35° Optic		CANDLEPOWER DISTRIBUTION		CONE OF LIGHT		CANDELA TABLE		ZONAL LUMEN SUMMARY			LUMINANCE																					
Test Number	P1219748	Downlight				Degrees Vertical	Canдела	Zone	Lumens	% Fixture	Average Candela Degrees	Average 0° Luminance																				
Housing	LDSQA-3D13R359035D010			<table border="1"> <thead> <tr> <th>D</th> <th>FC</th> <th>L</th> <th>W</th> </tr> </thead> <tbody> <tr> <td>6'</td> <td>106</td> <td>3.4</td> <td>3.4</td> </tr> <tr> <td>8'</td> <td>59.6</td> <td>4.4</td> <td>4.6</td> </tr> <tr> <td>10'</td> <td>38.2</td> <td>5.6</td> <td>5.8</td> </tr> <tr> <td>12'</td> <td>26.5</td> <td>6.8</td> <td>6.8</td> </tr> </tbody> </table>		D	FC	L	W	6'	106	3.4	3.4	8'	59.6	4.4	4.6	10'	38.2	5.6	5.8	12'	26.5	6.8	6.8	0	3816	0-30	1219	95.1	45	1218
D	FC	L	W																													
6'	106	3.4	3.4																													
8'	59.6	4.4	4.6																													
10'	38.2	5.6	5.8																													
12'	26.5	6.8	6.8																													
Trim	3LSQCDR1MW					5	3690	0-40	1268	98.9	55	901																				
Lumens	1282					15	2349	0-60	1279	99.7	65	815																				
Efficacy	87.8 Lm/W					25	420	0-90	1282	100	75	665																				
SC	0.58					35	56	90-180	0	0	85	0																				
UGR	0					45	5	0-180	1282	100																						
						55	3																									
						65	2																									
						75	1																									
						85	0																									
						90	0																									

40° Optic		CANDLEPOWER DISTRIBUTION		CONE OF LIGHT		CANDELA TABLE		ZONAL LUMEN SUMMARY			LUMINANCE																					
Test Number	P1219749	Downlight				Degrees Vertical	Canдела	Zone	Lumens	% Fixture	Average Candela Degrees	Average 0° Luminance																				
Housing	LDSQA-3D13R409035D010			<table border="1"> <thead> <tr> <th>D</th> <th>FC</th> <th>L</th> <th>W</th> </tr> </thead> <tbody> <tr> <td>6'</td> <td>93.4</td> <td>4</td> <td>4</td> </tr> <tr> <td>8'</td> <td>52.5</td> <td>5.4</td> <td>5.4</td> </tr> <tr> <td>10'</td> <td>33.6</td> <td>6.8</td> <td>6.8</td> </tr> <tr> <td>12'</td> <td>23.3</td> <td>8.2</td> <td>8.2</td> </tr> </tbody> </table>		D	FC	L	W	6'	93.4	4	4	8'	52.5	5.4	5.4	10'	33.6	6.8	6.8	12'	23.3	8.2	8.2	0	3360	0-30	1375	96.7	45	731
D	FC	L	W																													
6'	93.4	4	4																													
8'	52.5	5.4	5.4																													
10'	33.6	6.8	6.8																													
12'	23.3	8.2	8.2																													
Trim	3LSQCDR1MW					5	3325	0-40	1412	99.3	55	601																				
Lumens	1422					15	2733	0-60	1420	99.8	65	408																				
Efficacy	97.4 Lm/W					25	621	0-90	1422	100	75	665																				
SC	0.69					35	42	90-180	0	0	85	0																				
UGR	0					45	3	0-180	1422	100																						
						55	2																									
						65	1																									
						75	1																									
						85	0																									
						90	0																									

45° Optic		CANDLEPOWER DISTRIBUTION		CONE OF LIGHT		CANDELA TABLE		ZONAL LUMEN SUMMARY			LUMINANCE																					
Test Number	P1219750	Downlight				Degrees Vertical	Canдела	Zone	Lumens	% Fixture	Average Candela Degrees	Average 0° Luminance																				
Housing	LDSQA-3D13R459035D010			<table border="1"> <thead> <tr> <th>D</th> <th>FC</th> <th>L</th> <th>W</th> </tr> </thead> <tbody> <tr> <td>6'</td> <td>73</td> <td>4.2</td> <td>4.2</td> </tr> <tr> <td>8'</td> <td>41.1</td> <td>5.6</td> <td>5.8</td> </tr> <tr> <td>10'</td> <td>26.3</td> <td>7</td> <td>7.2</td> </tr> <tr> <td>12'</td> <td>18.3</td> <td>8.6</td> <td>8.6</td> </tr> </tbody> </table>		D	FC	L	W	6'	73	4.2	4.2	8'	41.1	5.6	5.8	10'	26.3	7	7.2	12'	18.3	8.6	8.6	0	2622	0-30	1247	91.9	45	1461
D	FC	L	W																													
6'	73	4.2	4.2																													
8'	41.1	5.6	5.8																													
10'	26.3	7	7.2																													
12'	18.3	8.6	8.6																													
Trim	3LSQCDR1MW					5	2625	0-40	1340	98.7	55	901																				
Lumens	1357					15	2070	0-60	1354	99.8	65	815																				
Efficacy	92.9 Lm/W					25	920	0-90	1357	100	75	665																				
SC	0.73					35	112	90-180	0	0	85	0																				
UGR	1.6					45	6	0-180	1357	100																						
						55	3																									
						65	2																									
						75	1																									
						85	0																									
						90	0																									

50° Optic		CANDLEPOWER DISTRIBUTION		CONE OF LIGHT		CANDELA TABLE		ZONAL LUMEN SUMMARY			LUMINANCE																					
Test Number	P1219751	Downlight				Degrees Vertical	Canдела	Zone	Lumens	% Fixture	Average Candela Degrees	Average 0° Luminance																				
Housing	LDSQA-3D13R509035D010			<table border="1"> <thead> <tr> <th>D</th> <th>FC</th> <th>L</th> <th>W</th> </tr> </thead> <tbody> <tr> <td>6'</td> <td>60.8</td> <td>5</td> <td>5</td> </tr> <tr> <td>8'</td> <td>34.2</td> <td>6.6</td> <td>6.6</td> </tr> <tr> <td>10'</td> <td>21.9</td> <td>8.4</td> <td>8.4</td> </tr> <tr> <td>12'</td> <td>15.2</td> <td>10</td> <td>10</td> </tr> </tbody> </table>		D	FC	L	W	6'	60.8	5	5	8'	34.2	6.6	6.6	10'	21.9	8.4	8.4	12'	15.2	10	10	0	2186	0-30	1237	87.8	45	1218
D	FC	L	W																													
6'	60.8	5	5																													
8'	34.2	6.6	6.6																													
10'	21.9	8.4	8.4																													
12'	15.2	10	10																													
Trim	3LSQCDR1MW					5	2135	0-40	1391	98.7	55	901																				
Lumens	1409					15	1826	0-60	1406	99.8	65	815																				
Efficacy	96.5 Lm/W					25	1203	0-90	1409	100	75	665																				
SC	0.85					35	190	90-180	0	0	85	0																				
UGR	1.3					45	5	0-180	1409	100																						
						55	3																									
						65	2																									
						75	1																									
						85	0																									
						90	0																									

Photometric Data

55° Optic		CANDLEPOWER DISTRIBUTION		CONE OF LIGHT		CANDELA TABLE		ZONAL LUMEN SUMMARY			LUMINANCE																					
Test Number	P1219752	Downlight				Degrees Vertical	Candela	Zone	Lumens	% Fixture	Average Candela Degrees	Average 0° Luminance																				
Housing	LDSQA-3D13R559035D010			<table border="1"> <thead> <tr> <th>D</th> <th>FC</th> <th>L</th> <th>W</th> </tr> </thead> <tbody> <tr> <td>6'</td> <td>47.7</td> <td>5.4</td> <td>5.6</td> </tr> <tr> <td>8'</td> <td>26.8</td> <td>7.4</td> <td>7.4</td> </tr> <tr> <td>10'</td> <td>17.2</td> <td>9.2</td> <td>9.2</td> </tr> <tr> <td>12'</td> <td>11.9</td> <td>11</td> <td>11.2</td> </tr> </tbody> </table>		D	FC	L	W	6'	47.7	5.4	5.6	8'	26.8	7.4	7.4	10'	17.2	9.2	9.2	12'	11.9	11	11.2	0	1715	0-30	1137	86.4	45	2436
D	FC	L	W																													
6'	47.7	5.4	5.6																													
8'	26.8	7.4	7.4																													
10'	17.2	9.2	9.2																													
12'	11.9	11	11.2																													
Trim	3LSQCDR1MW					5	1684	0-40	1293	98.3	55	901																				
Lumens	1315					15	1680	0-60	1311	99.7	65	815																				
Efficiency	90.1 Lm/W					25	1143	0-90	1315	100	75	665																				
SC	0.93					35	179	90-180	0	0	85	0																				
UGR	2.7					45	10	0-180	1315	100																						
						55	3																									
						65	2																									
						75	1																									
						85	0																									
						90	0																									

60° Optic		CANDLEPOWER DISTRIBUTION		CONE OF LIGHT		CANDELA TABLE		ZONAL LUMEN SUMMARY			LUMINANCE																					
Test Number	P1219753	Downlight				Degrees Vertical	Candela	Zone	Lumens	% Fixture	Average Candela Degrees	Average 0° Luminance																				
Housing	LDSQA-3D13R609035D010			<table border="1"> <thead> <tr> <th>D</th> <th>FC</th> <th>L</th> <th>W</th> </tr> </thead> <tbody> <tr> <td>6'</td> <td>39.8</td> <td>5.6</td> <td>5.4</td> </tr> <tr> <td>8'</td> <td>22.4</td> <td>7.4</td> <td>7.2</td> </tr> <tr> <td>10'</td> <td>14.3</td> <td>9.2</td> <td>9.2</td> </tr> <tr> <td>12'</td> <td>10</td> <td>11.2</td> <td>11</td> </tr> </tbody> </table>		D	FC	L	W	6'	39.8	5.6	5.4	8'	22.4	7.4	7.2	10'	14.3	9.2	9.2	12'	10	11.2	11	0	1433	0-30	940	73.6	45	2679
D	FC	L	W																													
6'	39.8	5.6	5.4																													
8'	22.4	7.4	7.2																													
10'	14.3	9.2	9.2																													
12'	10	11.2	11																													
Trim	3LSQCDR1MW					5	1353	0-40	1219	95.4	55	1501																				
Lumens	1278					15	1374	0-60	1272	99.5	65	1223																				
Efficiency	87.5 Lm/W					25	966	0-90	1278	100	75	1331																				
SC	0.92					35	446	90-180	0	0	85	1976																				
UGR	5.7					45	11	0-180	1278	100																						
						55	5																									
						65	3																									
						75	2																									
						85	1																									
						90	0																									

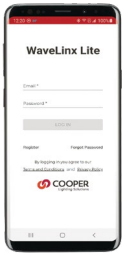
65° Optic		CANDLEPOWER DISTRIBUTION		CONE OF LIGHT		CANDELA TABLE		ZONAL LUMEN SUMMARY			LUMINANCE																					
Test Number	P1219754	Downlight				Degrees Vertical	Candela	Zone	Lumens	% Fixture	Average Candela Degrees	Average 0° Luminance																				
Housing	LDSQA-3D13R659035D010			<table border="1"> <thead> <tr> <th>D</th> <th>FC</th> <th>L</th> <th>W</th> </tr> </thead> <tbody> <tr> <td>6'</td> <td>39.3</td> <td>5.6</td> <td>5.6</td> </tr> <tr> <td>8'</td> <td>22.1</td> <td>7.6</td> <td>7.6</td> </tr> <tr> <td>10'</td> <td>14.2</td> <td>9.4</td> <td>9.4</td> </tr> <tr> <td>12'</td> <td>9.8</td> <td>11.4</td> <td>11.4</td> </tr> </tbody> </table>		D	FC	L	W	6'	39.3	5.6	5.6	8'	22.1	7.6	7.6	10'	14.2	9.4	9.4	12'	9.8	11.4	11.4	0	1415	0-30	907	75.5	45	3410
D	FC	L	W																													
6'	39.3	5.6	5.6																													
8'	22.1	7.6	7.6																													
10'	14.2	9.4	9.4																													
12'	9.8	11.4	11.4																													
Trim	3LSQCDR1MW					5	1324	0-40	1151	95.9	55	1802																				
Lumens	1201					15	1226	0-60	1194	99.4	65	1630																				
Efficiency	82.3 Lm/W					25	986	0-90	1201	100	75	1331																				
SC	0.95					35	386	90-180	0	0	85	1976																				
UGR	6.9					45	14	0-180	1201	100																						
						55	6																									
						65	4																									
						75	2																									
						85	1																									
						90	0																									

70° Optic		CANDLEPOWER DISTRIBUTION		CONE OF LIGHT		CANDELA TABLE		ZONAL LUMEN SUMMARY			LUMINANCE																					
Test Number	P1219755	Downlight				Degrees Vertical	Candela	Zone	Lumens	% Fixture	Average Candela Degrees	Average 0° Luminance																				
Housing	LDSQA-3D13R709035D010			<table border="1"> <thead> <tr> <th>D</th> <th>FC</th> <th>L</th> <th>W</th> </tr> </thead> <tbody> <tr> <td>6'</td> <td>32</td> <td>5.8</td> <td>5.8</td> </tr> <tr> <td>8'</td> <td>18</td> <td>7.8</td> <td>7.8</td> </tr> <tr> <td>10'</td> <td>11.5</td> <td>9.8</td> <td>9.8</td> </tr> <tr> <td>12'</td> <td>8</td> <td>11.8</td> <td>11.8</td> </tr> </tbody> </table>		D	FC	L	W	6'	32	5.8	5.8	8'	18	7.8	7.8	10'	11.5	9.8	9.8	12'	8	11.8	11.8	0	1154	0-30	765	62.2	45	5358
D	FC	L	W																													
6'	32	5.8	5.8																													
8'	18	7.8	7.8																													
10'	11.5	9.8	9.8																													
12'	8	11.8	11.8																													
Trim	3LSQCDR1MW					5	1105	0-40	1116	90.7	55	2702																				
Lumens	1230					15	1002	0-60	1217	98.9	65	2445																				
Efficiency	84.2 Lm/W					25	834	0-90	1230	100	75	2662																				
SC	0.98					35	571	90-180	0	0	85	1976																				
UGR	10.4					45	22	0-180	1230	100																						
						55	9																									
						65	6																									
						75	4																									
						85	1																									
						90	0																									

Connected Systems

WaveLinx LITE - WLST Tilemount Sensor

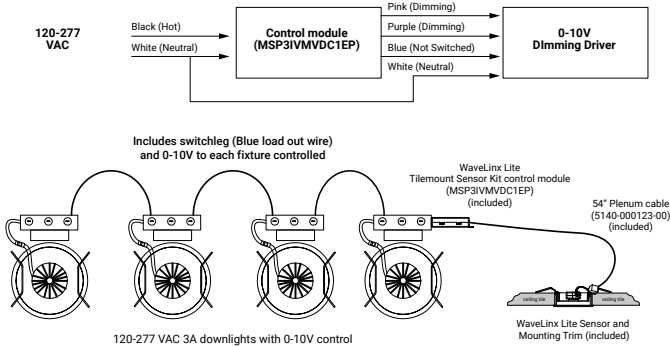
WaveLinx LITE devices only compatible with the WaveLinx LITE system.



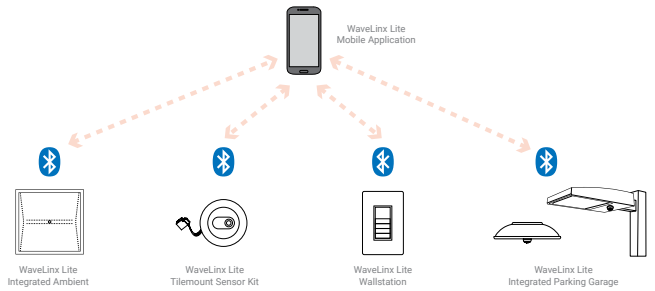
- Intuitive Android™ or Apple® iOS® app for basic system code compliant set up and configuration via Bluetooth
- Up to 28 unique areas per project site (WaveLinx LITE Bluetooth network)
- Up to 50 devices for an area, any one of 16 control zones, up to 6 occupancy sets, and custom lighting scenes
- Automatic occupancy or vacancy, sensor sensitivity, daylight dimming, etc. configurable through the app
- Refer to the WaveLinx system specifications for details



WaveLinx LITE WLST Tilemount Wiring Diagram



WaveLinx LITE Bluetooth Enabled System



WaveLinx PRO Wireless – WPST Tilemount Sensor

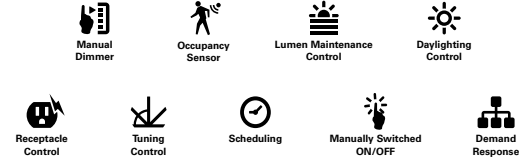
WaveLinx PRO devices only compatible with the WaveLinx PRO system.



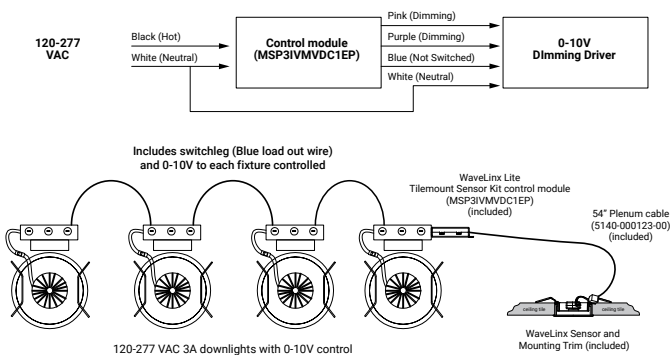
- WaveLinx PRO Wireless functionality configures zones and customizes settings from one secure mobile app
- Automatic code commissioning that meets the strictest codes
- Fixtures and sensors integrate with Wireless Area Controller, Wall Stations, and Control Devices
- Stand-Along Offices or Entire Building Network Installations



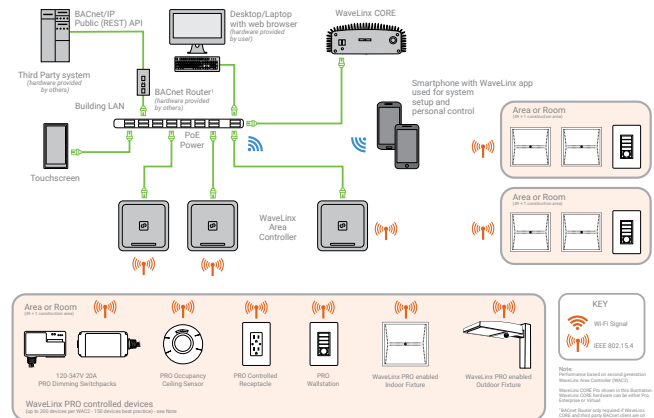
WaveLinx mobile app settings



WaveLinx PRO WPST Tilemount Wiring Diagram



WaveLinx CORE Building Management Integration



Connected Solutions



WaveLinX LITE Wireless Node - WLN

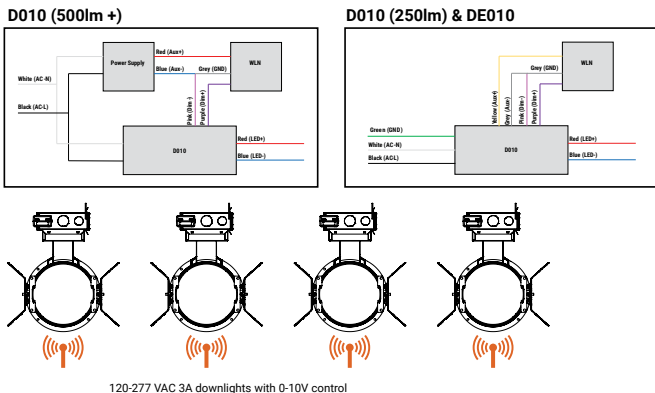
WaveLinX LITE devices only compatible with the WaveLinX LITE system.

- Intuitive Android™ or Apple® iOS® app for basic system code compliant set up and configuration via Bluetooth
- Up to 28 unique areas per project site (WaveLinX LITE Bluetooth network)
- Up to 50 devices for an area, any one of 16 control zones, up to 6 occupancy sets, and custom lighting scenes
- Refer to the WaveLinX system specifications for details
- Not available with BioUp or Tunable White

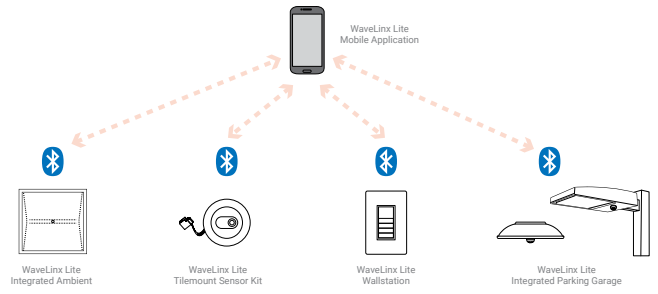
WaveLinX mobile app settings



WaveLinX LITE Wireless Node (WLN) Wiring Diagram



WaveLinX LITE Bluetooth Enabled System



WaveLinX PRO Wireless Node - WPN

WaveLinX PRO devices only compatible with the WaveLinX PRO system.

- WaveLinX Wireless functionality configures zones and customizes settings from one secure mobile app
- Automatic code commissioning that meets the strictest codes
- Fixtures and sensors integrate with WaveLinX Area Controller, Wall Stations, and Control Devices
- Stand-Alone Offices or Entire Building Network Installations

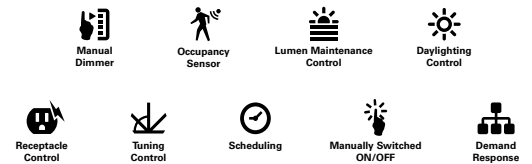
Downlights with wireless communication
Highly efficient LED fixtures

WaveLinX Area Controller
Provides centralized coordination of multiple area control options

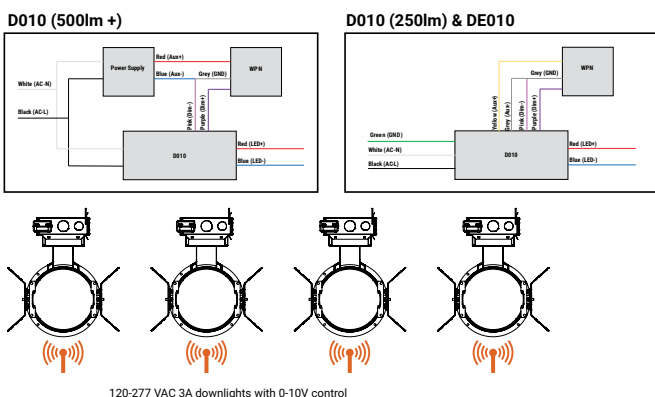
Wireless Wall Station/Receptacle
Provides customized wireless control of each area

Mobile Applications
Provides personalized, local control from a tablet or smartphone

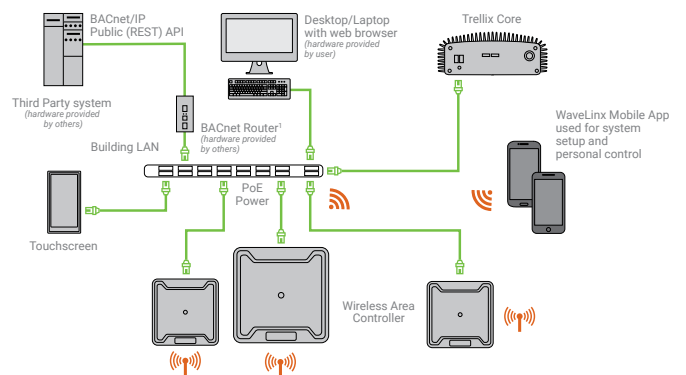
WaveLinX mobile app settings



WaveLinX PRO Wireless Node (WPN) Wiring Diagram



WaveLinX CORE Building Management Integration



Proven Research. Industry Recognized.

BioUp Melanopic Lighting



See better



Feel better



Function better



See [BioUp brochure](#) for more details



ANSI/IES RP-46-23

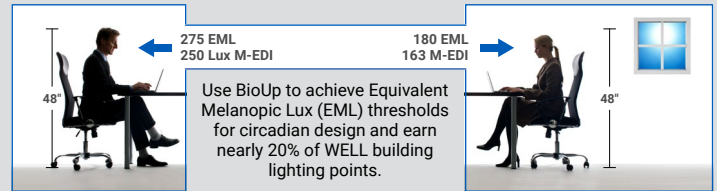
RECOMMENDED PRACTICE:
SUPPORTING THE PHYSIOLOGICAL
AND BEHAVIORAL EFFECTS
OF LIGHTING IN INTERIOR
DAYTIME ENVIRONMENTS
AN AMERICAN NATIONAL STANDARD

ANSI/IES RP-46-23 / TM18 published March 2024 based on over 40 years of research.

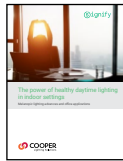
"...circadian clock synchronization is paramount to the body's efficient and appropriate functioning." – TM18



BioUp solutions maximize WELL points for Circadian Lighting Design (L03):



MDER, M-EDI and **EML** are key metrics used to quantify non-visual performance of indoor lighting systems.



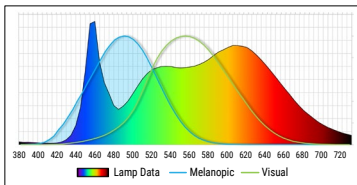
See [BioUp white paper](#) for more details

30% boost Biological impact compared to traditional LED sources

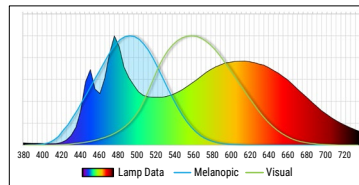
CCT	LED @ ~83 CRI	BioUp Static		BioUp Dynamic	
		MDER	CRI	MDER	CRI
2700K	0.45	-	-	0.43	95
3000K	0.50	-	-	0.57	94
3500K	0.57	0.71	90	0.71	90
4000K	0.65	0.84	87	0.84	87
5000K	0.79	1.00	84	1.00	84

MDER - Melanopic Daylight Efficacy Ratio (MDER) measures the amount of light stimulating to the melanopsin receptors.

Standard 4000K LED
MDER = .62



BioUp 4000K LED
MDER = .82

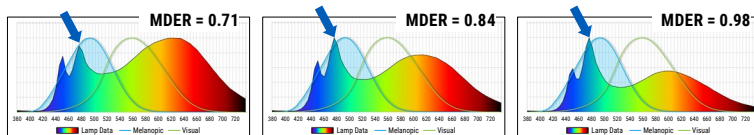


BioUp enhances the LED spectrum with cyan light at 475nm increasing the biological impact of the light to enhance our circadian rhythm which regulates our sleep/wake cycle, daytime engagement, and mood – **all without distorting visual color impression.**

Static (non-tunable)

Static BioUp is used when simple Melanopic Lighting is desired at all times.

Arrow in graph shows BioUp spectrum boost is at 475nm where non-visual biological response is enhanced.



3500K or **4000K** or **5000K**

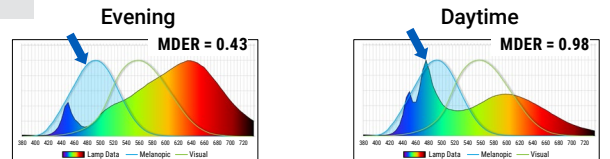
Cyan light component always present



> no CCT control needed

Dynamic - (Tunable)

Dynamic BioUp is used when Melanopic Lighting is desired to adjust during the day.



Warmer CCT Without Cyan content ← → Cooler Light With Cyan content

2700K – 5000K



> Control with Wavelinx, 2ch 0-10V, or DALI